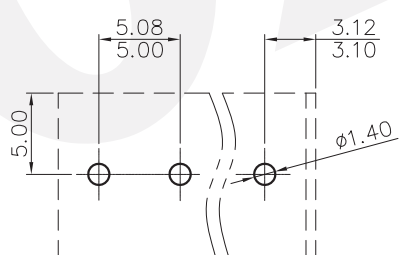
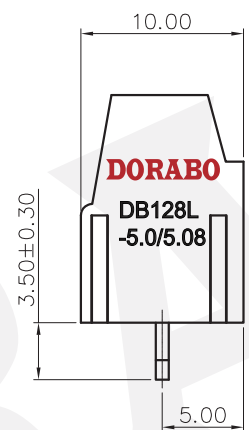
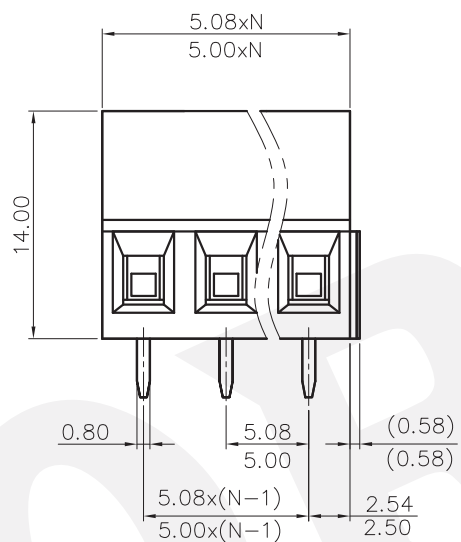
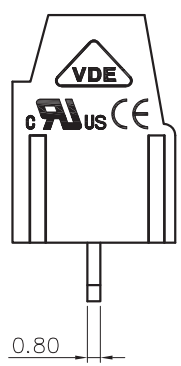
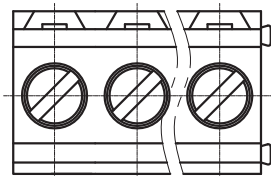


REVISION RECORD				
REV	ECN	DESCRIPTION	DRFT	DATE



PCB LAYOUT

NOTES1:

- UL Standard
 1. Rated voltage/current : 300V / 20A
 2. Torque value : M2.5 , 3.54Lb.in
 3. Wire range : 30~12AWG

IEC Standard

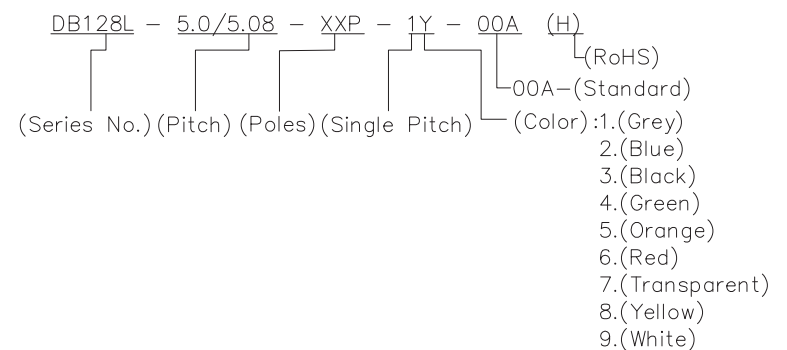
1. Rated voltage/current : 250V / 18A
 2. Torque value : M2.5 , 0.4N·m
 3. Wire range : 1.0~2.5mm²

NOTES2:

1. Dimension shall be interpreted per ASME Y14.5-2009
 2. Pitch : 7.62mm, Poles : N=02~XXP
 3. Stripping length : 6~7mm
 4. Withstanding voltage : AC2000V/1Min
 5. Operating temperature : -40°C~+105°C
 6. Undimensioned tolerances:

Pitch range in mm			Nominal dimension range in mm					-	∩	□
TO	Over TO	Over TO	TO	Over TO	Over TO	Over TO	±			
6	10	24	30	60	100	150				
±0.15	±0.20	±0.30	±0.30	±0.50	±0.70	±1.00	±1.30		±2*	

7. RoHS Compliance



DETACHED LISTS	PART NO.:	/			
	APPD:	/			
	CHKD:	/			
	DRFT:	/			
	<p>THIRD ANGLE PROJECTION</p>		<p>DORABO 慈溪市地博电子有限公司 CIXI DORABO ELECTRONICS CO.,LTD</p>		
	<p>NAME: DB128L-5.0/5.08-XXP-1Y-00A(H)</p>		REV	DO	
	<p>TITLE: CUSTOMER DRAWING</p>		SHEET	1/1	
	<p>DRAWING NO.: /</p>		SCALE	1:1	
	<p>MM (INCH)</p>		DO NOT SCALE DRAWING		