

## UU9.8 2+2Pin Ferrite Core Bobbin, Horizontal Bobbin



2+2 Pins Horizontal Bobbin,Phenolic Material,UL REC:94V-0

Pin Pitch=7mm **Parallel Distance=8mm**

Size=12.4mmX10.6mmX12.2mm

- Brand:

MCT

- Item No.:

MCT-UU9.8-14(H2+2P2F)

- Shipping Port:

Shanghai

CONTACT NOW DOWNLOAD

## Product Description

**Factory(MCT) hot selling UU10.5 common mode choke bobbins, best quality and low price!!!**

## Quick Details

Place of Origin: Hefei,China(Mainland)

Part Number: MCT-UU9.8-14(H2+2P2F)

Certification: ISO9001,ROHS,CE

Lead Time: 25 days after payment

Custom Made: Available

Brand Name: MCT

Packing: Carton,can be customized

Logo: Can be customized

Material: Phenolic

Color: Black

OEM: Available

MOQ: Any quantity

## Part Information

Product Name: **UU9.8 2+2Pin Ferrite Core Bobbin, Horizontal Bobbin**

Products Range: Transformers, Inductors, coils, bobbins, ferrite cores.

Applications: High frequency transformer, **common mode choke coils**, filter inductors,current transformers.

Samples time: 7-10 days for customized parts, 3-5 days for standard parts.

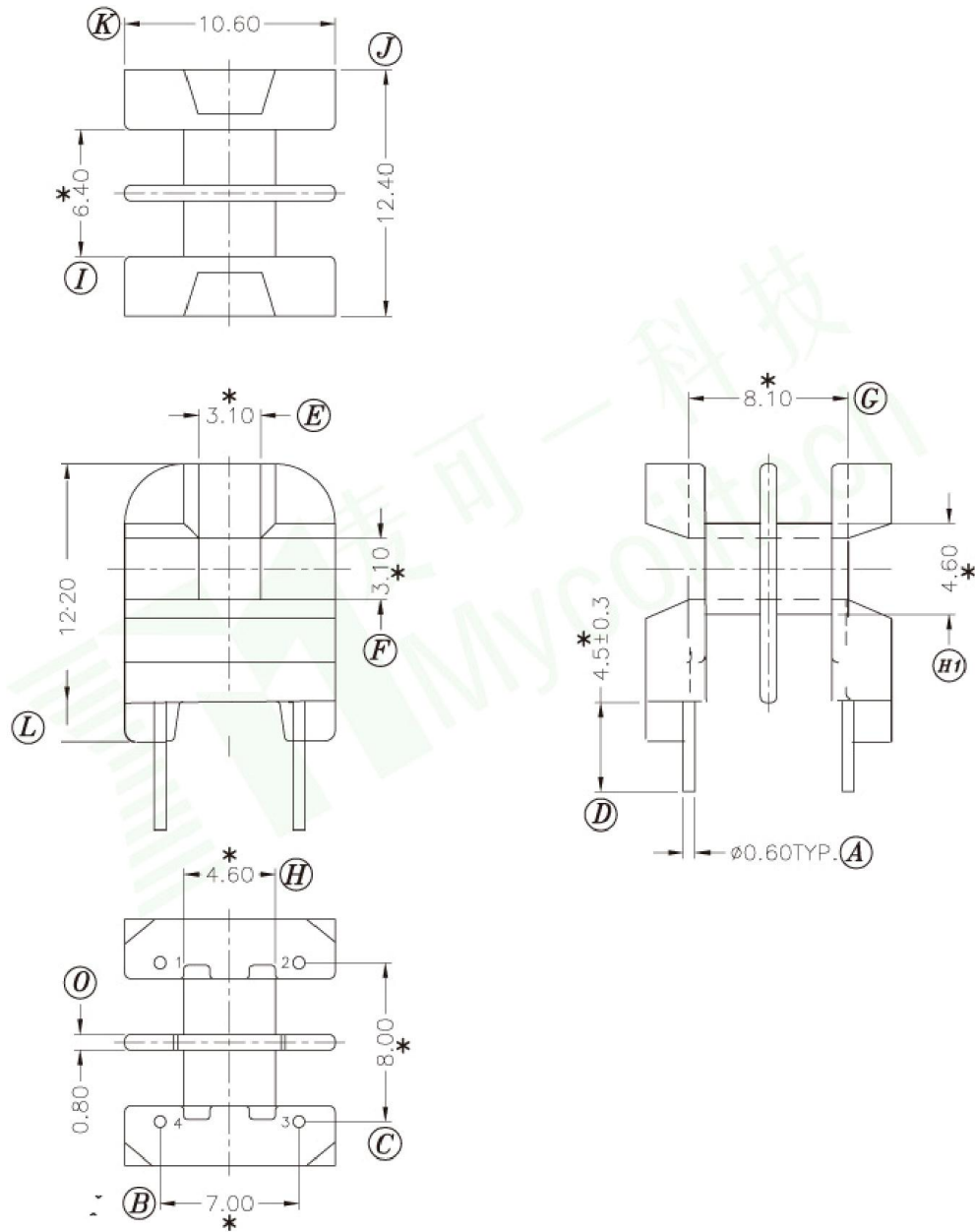
Shipping Details: By air, By ship, etc.

Advantages:Our Factory is made up of 500 people, huge output can be finished every day.

We have a technical team consist of 5 experienced engineers.

All materials are environmental protected. We accept custom made and design service.

## Product Specification



MODEL	.....		UNIT:	mm			
MATERIAL	PHENOLIC		SCALE:	1:1			
DRAWN BY	Una Wu	2014.3.18	UL REC:	94V-0	Hefei mycoil technology Co.,LTD		
CHECK BY	Jason Hu	2014.3.18	TOLERANCE			WEBSITE	www.mycoiltech.com
			0 < L ≤ 6: ±0.1	6 < L ≤ 20: ±0.2	20 < L ≤ 50: ±0.3	50 < L: ±0.4	TEL
ISSUED BY	James Hu	2014.5.16			PIN PITCH: ±0.2		
					THICKNESS: ±0.15		
					ANGLE: ±1°		
					PIN DIA: ±0.05	EMAIL	sales@mycoiltech.com