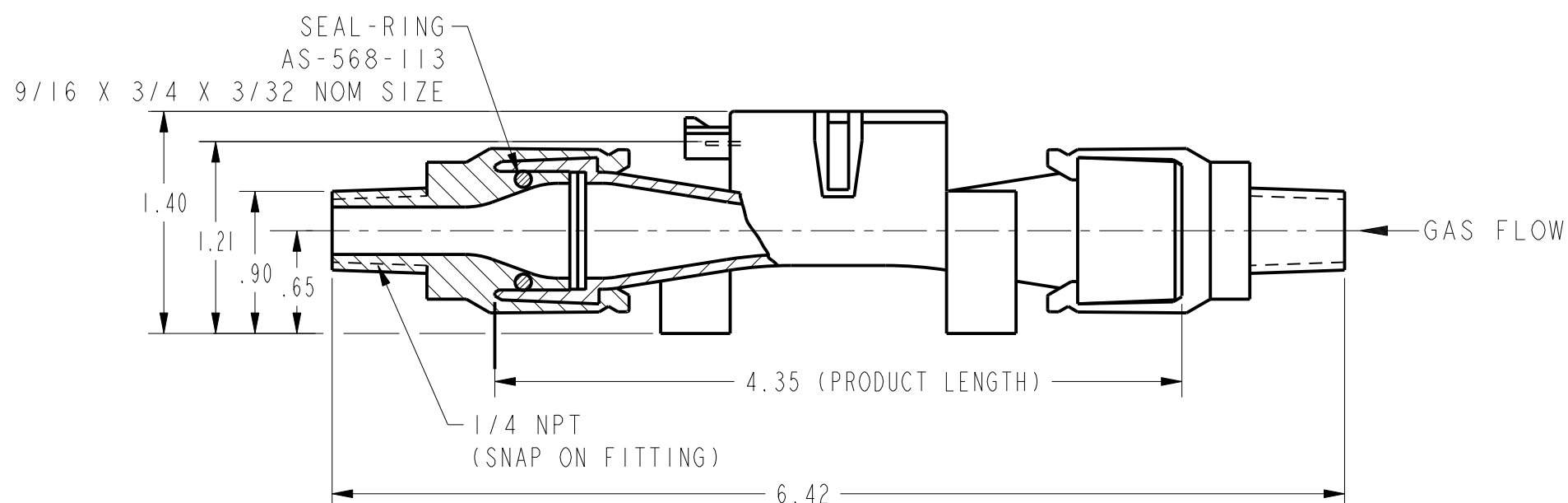




SPECIFICATIONS

| | |
|---|--|
| RECOMMENDED POWER SUPPLY ¹ | 10.00 ± .01 VDC |
| MINIMUM POWER SUPPLY | 8.0 VDC |
| MAXIMUM POWER SUPPLY | 15 VDC |
| POWER CONSUMPTION | 100mW MAX |
| OUTPUT TYPE | LINEAR, 1 TO 5 VDC |
| CALIBRATION GAS | NITROGEN |
| GAS FLOW RANGE * | 0-20 SLM * |
| OUTPUT @ LASER TRIM POINT | 5 VDC @ FULL SCALE FLOW |
| DIFFERENTIAL PRESSURE @ FULL SCALE | SEE PRESSURE VS. AIRFLOW CHART |
| NULL OUTPUT | 1.00 ± .05 VDC |
| NULL OUTPUT SHIFT, 0 TO +50°C | ± .050 VDC TYP, ± .100 VDC MAX |
| FULL SCALE OUTPUT SHIFT, 0 TO +25°C/+25 TO 50°C | 4% / 5% READING MAX |
| LINEARITY ERROR ² | ± 3.0% READING |
| REPEATABILITY & HYSTERESIS | ± 0.5% READING MAX. |
| RESPONSE TIME | 60.0 mSEC MAX |
| STORAGE TEMPERATURE RANGE | -20° TO 70°C |
| OPERATION TEMPERATURE RANGE ⁵ | 0° TO 50°C |
| TERMINATION (.100 CENTERS) | .025 SQUARE |
| CONNECTOR (4 PIN RECEPTACLE) ³ | AMP (103956-3) |
| WEIGHT | 30 GRAMS (2.120Z) |
| SHOCK RATING | 100 g PEAK, 6 mSEC HALF-SINE (3 DROPS EACH DIRECTION OF 3 AXES) |
| OVERPRESSURE | 50 PSI MAX |
| LEAK RATE, MAX | 0.1 PSI/MIN AT STATIC CONDITION |

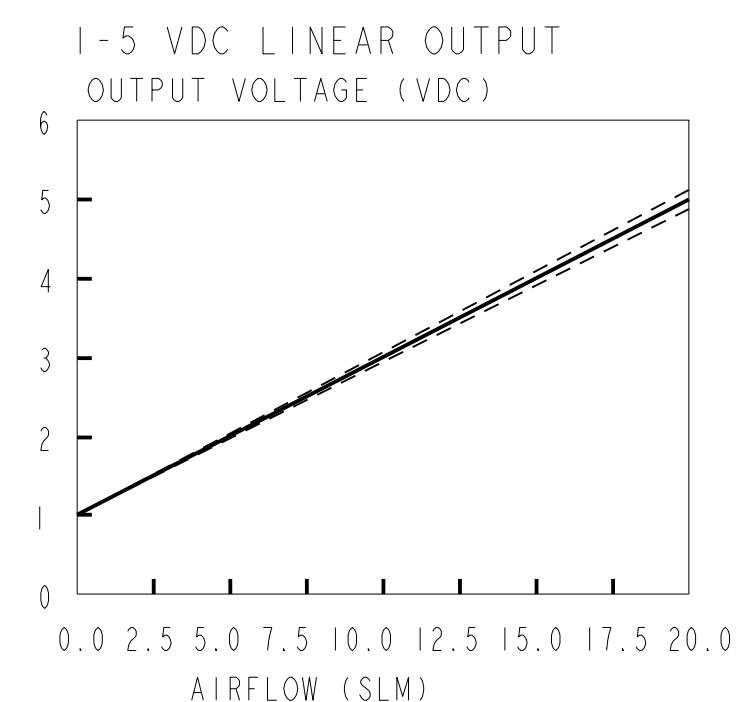
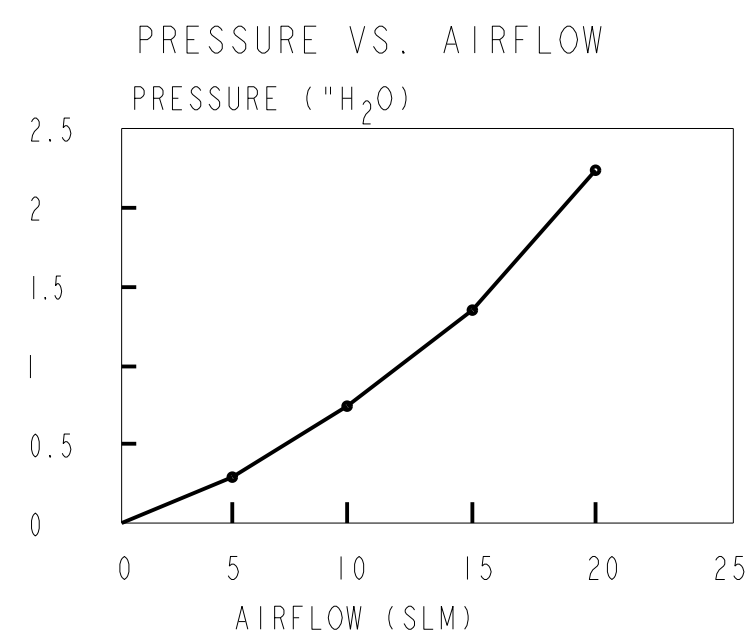
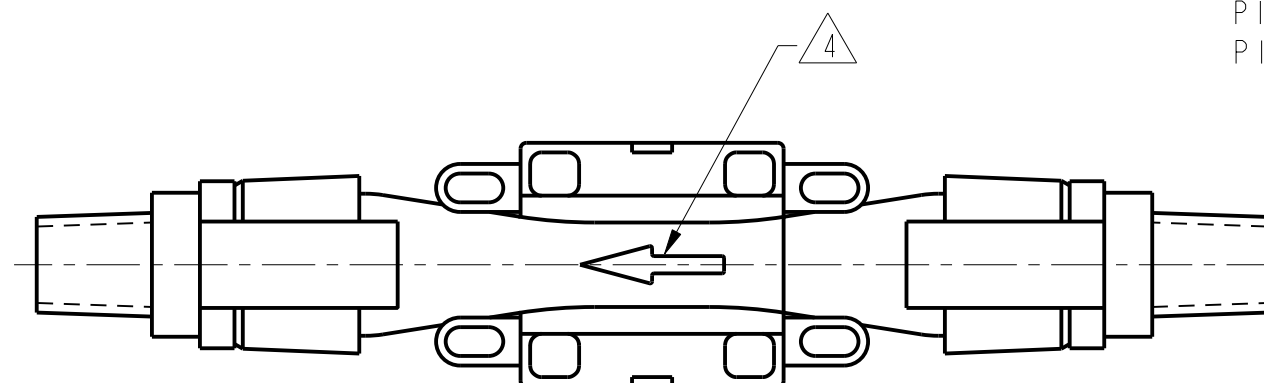


NOTES

- ¹ - CANNOT GUARANTEE CALIBRATION AT SUPPLY VOLTAGES OTHER THAN 10.00 ± .01 VDC
- ² - LINEARITY SPECIFICATION APPLIES FROM 2 TO 100% FULL SCALE OF GAS FLOW RANGE, AND DOES NOT APPLY TO NULL OUTPUT AT 0 SLM *
- ³ - SUPPLIED IN STRIP FORM. OTHER STRIP FORM RECEPTACLES ARE AVAILABLE, AS WELL AS VARIOUS TOOLS TO ASSEMBLE RECEPTACLES IN STRIP FORM. INDIVIDUAL RECEPTACLE ASSEMBLIES ARE ALSO AVAILABLE FROM AMP
- ⁴ - MOLDED-IN ARROW DESIGNATES GAS FLOW DIRECTION
- * SLM DENOTES STANDARD LITERS PER MINUTE WHICH IS A FLOW MEASUREMENT REFERENCED TO STANDARD CONDITIONS OF 0°C, 760 TORR (SEA LEVEL), 50% RH
- ⁵ - TEMPERATURE TRANSITIONS 1.66°C/MINUTE MAXIMUM WHILE IN OPERATION

OUTPUT CONNECTIONS

- PIN 1 + SUPPLY VOLTAGE
- PIN 2 GROUND
- PIN 3 NO CONNECTION
- PIN 4 OUTPUT VOLTAGE



± 3% READING
 ——— MEAN
 - - - MIN
 - - - MAX

| | | |
|---|--------|--------|
| THIRD ANGLE PROJECTION | | |
| SCALE FULL | | |
| DO NOT SCALE PRINT | | |
| UNLESS OTHERWISE SPECIFIED TOLERANCES ARE | | |
| ONE PLACE | (.0) | ± .030 |
| TWO PLACES | (.00) | ± .015 |
| THREE PLACES | (.000) | ± .005 |
| ANGLES | | ± |
| WEIGHT | | |

THIS DRAWING COVERS A PROPRIETARY ITEM AND IS THE PROPERTY OF MICRO SWITCH, A DIVISION OF HONEYWELL. THIS DRAWING IS NOT TO BE COPIED OR USED WITHOUT THE APPROVAL OF MICRO SWITCH.

MICRO SWITCH
 a Honeywell Division

MASS AIRFLOW SENSOR

AWM5104VN

FED. MFG. CODE 91929

ANSI Y14.5M-1982 APPLIES

P.T.C./CAD [20] DRAWN G J W 13 MAR 01 CHECK SAV 13 MAR 01 CHECK CMH 16 JAN 08
 REVISIONS
 A 202464 MAR 01
 B 0027347 22 DEC 06
 C 0036560 16 JAN 08
 DRAWING NUMBER 6
 ISSUE
 AWM5104VN
 RELEASE NO. PR-20105
 REPLACES X94569-AW
 PAGE 1 OF 1