

OOM202 GAS SENSOR

001-33
Issue 3

Oxygen (O₂) Gas Sensor Honeywell EnviteC Series



Oxygen Sensor:
OOM202

FROM STANDARD SENSORS TO CUSTOMIZED SENSORS

Experienced Honeywell engineers work closely with customers to analyze their requirements when designing sensors for standard and OEM applications. Throughout the design process, support is provided right up to the final integration of the solution. Our engineers can customize sensors characterized by a maximum possible degree of precision, for example fit, form, and signal behaviors such as signal range or integrated temperature compensation.

ADVANTAGES

- High accuracy and reliability in response
- Resistant to N₂O
- Enhanced signal stability and product quality
- Short delivery times
- Technical support
- Made in Germany
- FDA cleared

ADDITIONAL INFORMATION

Instructions for Use as well as the Honeywell Healthcare Solutions XRL Cross Reference list are available at <https://sps.honeywell.com/gb/en/support/advanced-sensing-technologies/cross-reference-list>.

PORTFOLIO

The EnviteC sensor family is part of the extensive line of Honeywell gas sensors. To learn more about the product, or the many other gas sensors in this series, [click here](#).

INTENDED USE

Honeywell EnviteC Medical Oxygen Sensors are intended for use as the oxygen sensing component of an oxygen analyzer that measures oxygen concentration in breathing gas mixtures in the following applications:

- control device of oxygen concentrators
- medical ventilators
- anaesthesia systems and respirators
- incubators
- gas supply systems

Use is limited to system monitoring, as the sensors are not suited for breath by breath analysis of breath gases. Please refer to the [Instructions for Use](#). If your required use is to replace the original oxygen-sensing component of an oxygen analyzer, consult the [Honeywell Healthcare Solutions XRL Cross Reference list](#) for selecting the appropriate sensor.

FEATURES AND BENEFITS



Quality

- Low cross interferences from common component breathing gases
- Limits for cross interferences are described in ISO 80601-2-55
- Industry-leading lifespan
- Designed and manufactured according to EN ISO 13485



Flexibility

- Customized sensor design
- Simple analysis of sensor signal
- Flexible response times



Accuracy

- Linearity of sensor signal between 0 % to 100 % oxygen better than 3 % relative
- Low signal drift (<1 % volume O₂/month)
- Built-in NTC compensation



On-going Research

- Long-term tests

Honeywell

HONEYWELL HEALTHCARE SOLUTIONS GMBH GAS SENSORS

OOM202

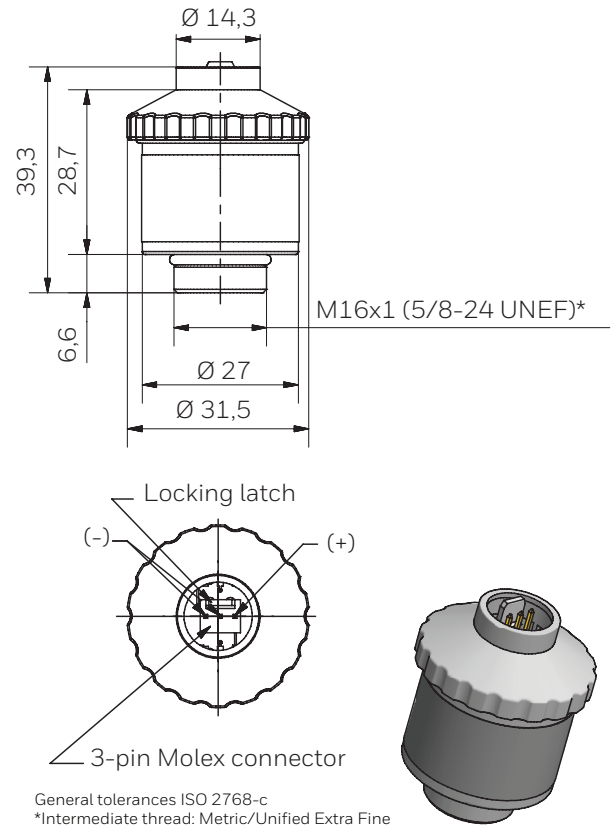
TABLE 1. TECHNICAL SPECIFICATIONS

Characteristic	Measure
Measurement range	0 % ... 100 % oxygen (at atmospheric pressure)
Nominal sensor lifetime	> 1,000,000 % volume oxygen hours
Initial output signal range in ambient air	13 mV ... 16 mV
Electrical interface	3-pin (Molex® 22-11-1031)
Accuracy	meets ISO 80601-2-55 requirements
Repeatability	< 1 % volume O ₂ at constant temperature and pressure
Linearity error	< 3 % relative
Response time	< 12 s to 90 % of final value
Zero offset voltage	< 200 µV in 100 % nitrogen, applied for 5 min
Cross interference	meets ISO 80601-2-55 requirements
Influence of humidity	-0.03 % rel. per %RH at 25°C
Pressure range	0.6 bar ... 2 bar (ppO ₂ 0 ... 1250 mbar O ₂)
Influence of pressure	proportional to change in oxygen partial pressure
Influence of mechanical shock	< 1 % relative after a fall from 1 m
Operating temperature	0°C ... 50°C
Temperature compensation	built-in NTC compensation
Effect of temperature compensation (steady state)	between 25°C and 40°C: 3 % relative error between 0°C and 50°C: 8 % relative error
Operating humidity	0 % ... 99 %RH non-condensing
Long-term output drift	< 1 % vol. oxygen per month, typically < -15 % relative over lifetime
Storage temperature	-20°C ... 50°C
Recommended storage	5°C ... 15°C
Recommended load	≥ 10 kOhm
Warm-up time	< 30 minutes, after replacement of sensor
Weight	approximately 28 grams
Expected sensor lifetime	> 2.5 years
Part number	E01-00-0047

All specifications are applicable at standard conditions: 1013 hPa, 25°C dry ambient air
Technical information is subject to change without notice.

Product Dimensions

All dimensions in mm





For suitable accessories and sensors, please refer to <https://sps.honeywell.com/gb/en/support/advanced-sensing-technologies/cross-reference-list>

For more information

Honeywell Sensing & Safety Technologies services its customers through a worldwide network of sales offices and distributors. For application assistance, current specifications, pricing, or the nearest Authorized Distributor, visit sps.honeywell.com/ast or call:

USA/Canada	+302 613 4491
Latin America	+1 305 805 8188
Europe	+44 1344 238258
Japan	+81 (0) 3-6730-7152
Singapore	+65 6355 2828
Greater China	+86 4006396841

WARRANTY/REMEDY

Honeywell warrants goods of its manufacture as being free of defective materials and faulty workmanship during the applicable warranty period. Honeywell’s standard product warranty applies unless agreed to otherwise by Honeywell in writing; please refer to your order acknowledgment or consult your local sales office for specific warranty details. If warranted goods are returned to Honeywell during the period of coverage, Honeywell will repair or replace, at its option, without charge those items that Honeywell, in its sole discretion, finds defective. **The foregoing is buyer’s sole remedy and is in lieu of all other warranties, expressed or implied, including those of merchantability and fitness for a particular purpose. In no event shall Honeywell be liable for consequential, special, or indirect damages.**

While Honeywell may provide application assistance personally, through our literature and the Honeywell web site, it is buyer’s sole responsibility to determine the suitability of the product in the application.

Specifications may change without notice. The information we supply is believed to be accurate and reliable as of this writing. However, Honeywell assumes no responsibility for its use.

**⚠ WARNING
MISUSE OF
DOCUMENTATION**

- The information presented in this product sheet is for reference only. Do not use this document as a product installation guide.
- Complete installation, operation, and maintenance information is provided in the instructions available for download on the [Honeywell website](https://www.honeywell.com).

Failure to comply with these instructions could result in death or serious injury.

SAFETY NOTE

This sensor is designed to be used in safety critical applications. To ensure that the sensor and/or instrument in which it is used, are operating properly, it is a requirement that the function of the device is confirmed by exposure to target gas (bump check) before each use of the sensor and/or instrument. Failure to carry out such tests may jeopardize the safety of people and property.



Honeywell Healthcare Solutions GmbH

Alter Holzhafen 18, 23966 Wismar,
Germany
Phone: +49 (0)3841-360-1
Phone: +49 (0)3841-360-200
Fax: +49 (0)3841-360-222

Honeywell Sensing & Safety Technologies

830 East Arapaho Road
Richardson, TX 75081
www.honeywell.com

Molex® is a trademark or registered trademark of Molex Group, LLC in the United States and other countries.

001-33-Datasheet_OOM202-0 | 3 | 10/23
© 2023 Honeywell International Inc. All rights reserved.

