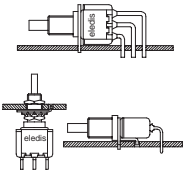




SERIES 5A

- Snap acting pushbutton



AGENCY APPROVALS



CHARACTERISTICS

- The most comprehensive range of terminations, brackets and bushings.
- Dially phthalate case and stainless steel housing.

SPECIFICATIONS

Contact Rating: **S** (silver) - 1A @ 120 VAC or 28 VDC
A (gold) - 0.4 VA max @ 20 VAC or DC max - **G** (gold on silver) - 1A @ 120 VAC or 0.4 VA max (not both)

Electrical life: 50,000 make-and-break cycles at full load

Contact Resistance: 10 mΩ max. initial @ 2-4 VDC

Insulation Resistance: 1000 MΩ min.

Dielectric Strength: 1500 VRMS @ sea level

Operating Temperature: -30°C to 85°C

MATERIALS

Case: Dially phthalate (DAP), (UL 94-0)

Plunger: Glass filled nylon or glass filled polyester

Bushing: Brass, nickel plated

Housing: Stainless Steel

End contacts & terminals: Copper alloy, with gold plated over nickel plated

Center Contact & Terminal: Copper alloy, with gold plated over nickel plated

HOW TO ORDER



N° OF POLES

- 1 SPDT
- 2 DPDT

ELECTRICAL FUNCTIONS

- 1 on (on)

ACTUATORS

- none
- SF Snap-in + frame + cap
- SN Snap-in + cap
- SG Snap-in + frame (flush)
- JX Snap-in w/o cap & frame
- SL (∅) Snap-in + cap + frame + Led Holder
- SM (∅) Snap-in + cap + frame + Led Holder (flush)

TERMINATIONS

- PC PCB
- W1 Wire wrap 19.05 mm
- W2 Wire wrap 24.48 mm
- W3 Wire wrap 10.80 mm
- W4 Wire wrap 26.97 mm
- ST Solder tag
- H9 90° horizontal
- V9 90° vertical
- U2 U bracket 11.68 mm
- U3 U bracket 16.00 mm
- U4 U bracket 11.68 mm
- U5 U bracket 16.00 mm
- U2S U bracket snap-in 11.68 mm
- U3S U bracket snap-in 16.00 mm
- U4S U bracket snap-in 11.68 mm
- U5S U bracket snap-in 16.00 mm
- U6(∅) U bracket 11.68 mm
- U7(∅) U bracket 16.00 mm
- U8(∅) U bracket 11.68 mm
- U9(∅) U bracket 16.00 mm
- QC Quick connect

CAP - FRAME COLOURS OPTIONS

- 1 White
- 2 Black (std)
- 3 Red
- 4(Δ) Orange
- 5(Δ) Yellow
- 6(Δ) Green
- 7(Δ) Blue
- 8(Δ) Brown
- 9(Δ) Gray

BUSHING

- F1 Threaded
- F2 Unthreaded
- F3 Threaded flat
- F4 Unthreaded flat
- F6(∅) Short Unthreaded

CONTACT MATERIAL

- S Silver (std)
- A Gold
- G Gold on silver
- K Tinned gold

CAP OPTIONS

- C1 Diam. 7.7mm
- C2 Diam. 9.35mm
- C5 Sq. 11.7mm
- C7 Diam. 5mm
- C8 Diam. 5mm

SEALING

- E Seal

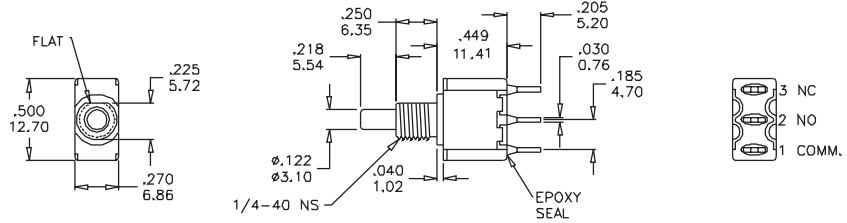
Note: No bushing required for Snap-in Actuators
 (∅) Please Enquire
 (Δ) Min qty required

SERIES 5A

ELECTRICAL FUNCTIONS

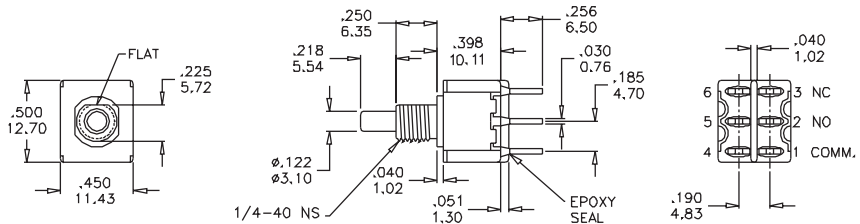
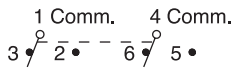
DIMENSIONS

SPDT	Type
1	on (on)
1-3	1-2



Part N° shown: 5A11-F3PCSE

DPDT	Type
1	on (on)
1-3, 4-6	1-2,4-5

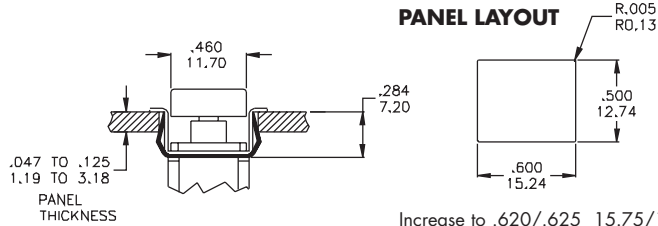


Part N° shown: 5A21-F3TSE

ACTUATORS

SN

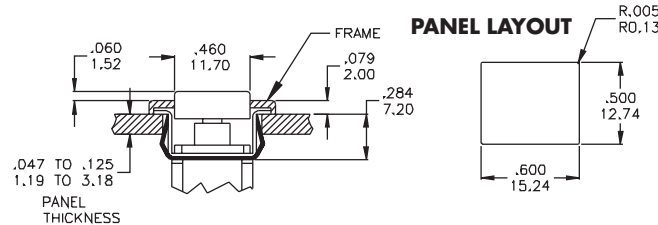
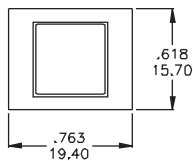
Snap-in mounting w/o frame



Increase to .620/.625 15.75/15.88 for .091/.125 2.31/3.18 THK PANEL

SF

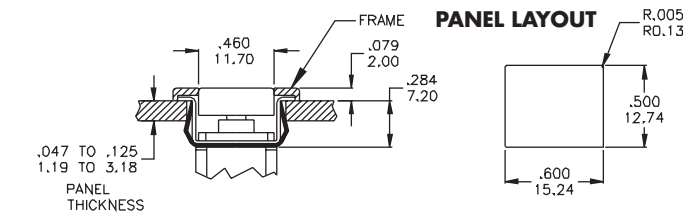
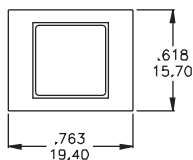
Snap-in mounting extruding cap



Increase to .620/.625 15.75/15.88 for .091/.125 2.31/3.18 THK PANEL

SG

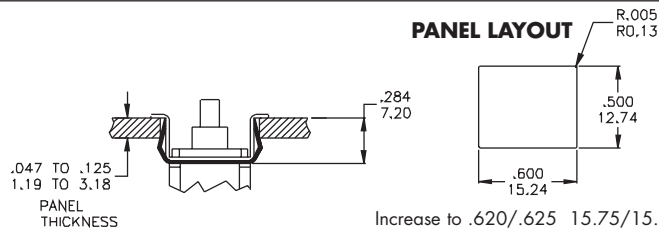
Snap-in mounting flush cap



Increase to .620/.625 15.75/15.88 for .091/.125 2.31/3.18 THK PANEL

JX

Snap-in mounting no frame, no cap



Increase to .620/.625 15.75/15.88 for .091/.125 2.31/3.18 THK PANEL

CAP + FRAME COLOURS OPTIONS

- 1 White
- 2 Black (std)
- 3 Red
- 4 (Δ) Orange
- 5 (Δ) Yellow
- 6 (Δ) Green
- 7 (Δ) Blue
- 8 (Δ) Brown
- 9 (Δ) Gray

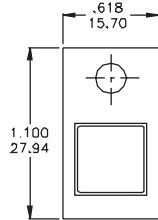


SERIES 5A

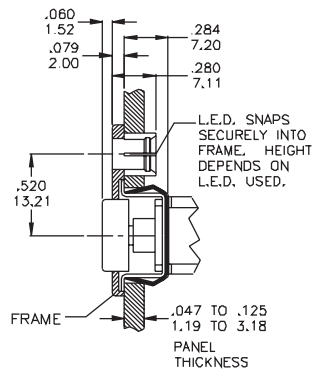
ACTUATORS

(◇)SL

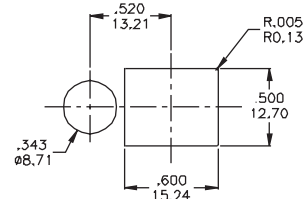
Snap-in mounting extruding cap + LED holder



(◇) Please Enquire



PANEL LAYOUT



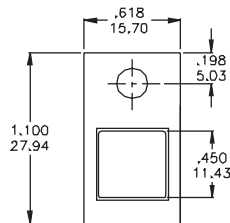
CAP + FRAME COLOURS OPTIONS

- 1 White
- 2 Black (std)
- 3 Red
- 4 (Δ) Orange
- 5 (Δ) Yellow
- 6 (Δ) Green
- 7 (Δ) Blue
- 8 (Δ) Brown
- 9 (Δ) Gray

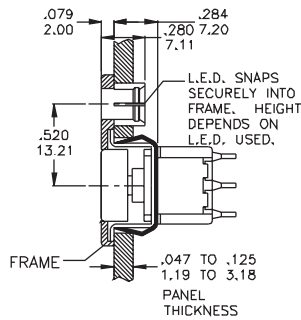
Note: To order Cap and Frame separately, use C5 and B5 accessories only.

(◇)SM

Snap-in mounting flush cap + LED holder

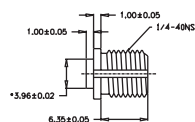
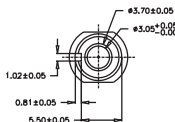


(◇) Please Enquire

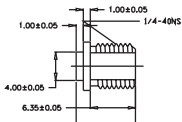
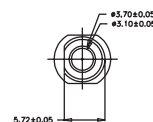


BUSHING

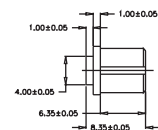
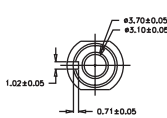
F1 Threaded (std)



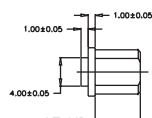
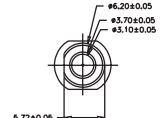
F3 Threaded



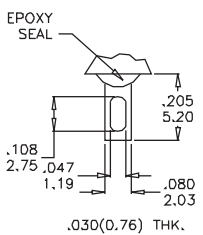
F2 Unthreaded



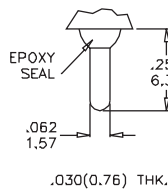
F4 Unthreaded



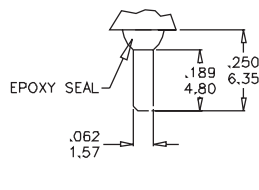
TERMINATIONS



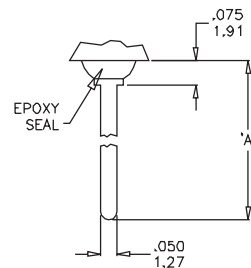
ST



PC



QC



THK .030(0.76)

Dim. A

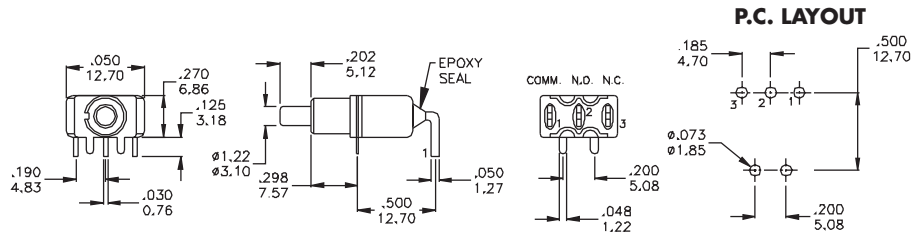
W1	.750 (19.05)
W2	.964 (24.48)
W3	.425 (10.80)
W4	1.062 (26.97)

Epoxy seal standard with all models

SERIES 5A

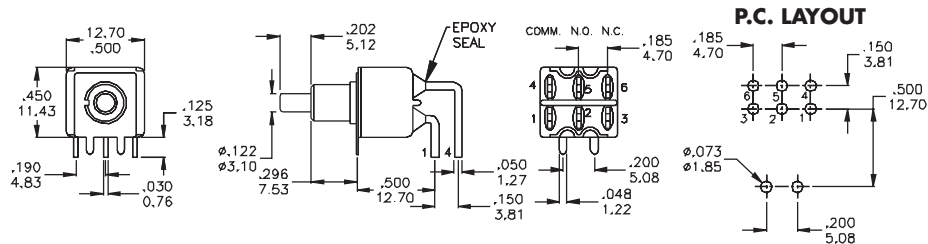
TERMINATIONS

**H9
SPDT**



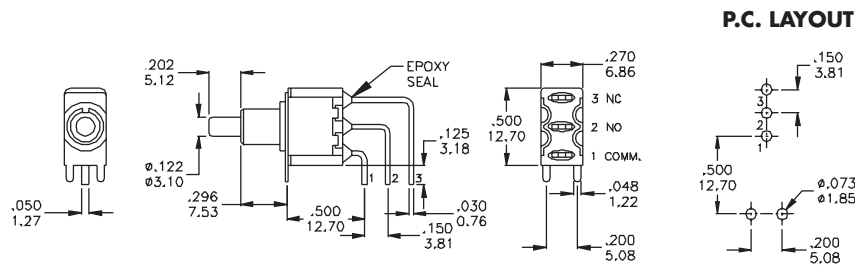
Part N° shown: 5A11-F2H9AE

**H9
DPDT**



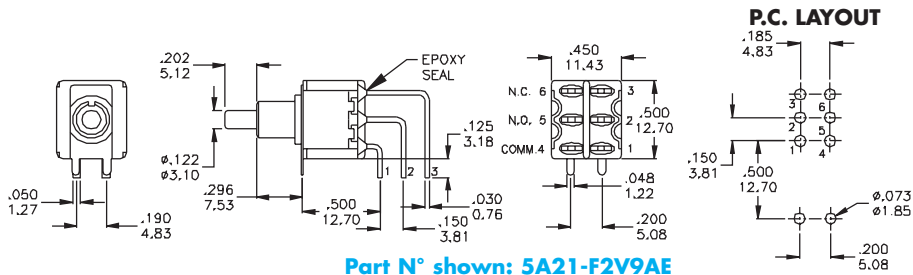
Part N° shown: 5A21-F2H9AE

**V9
SPDT**



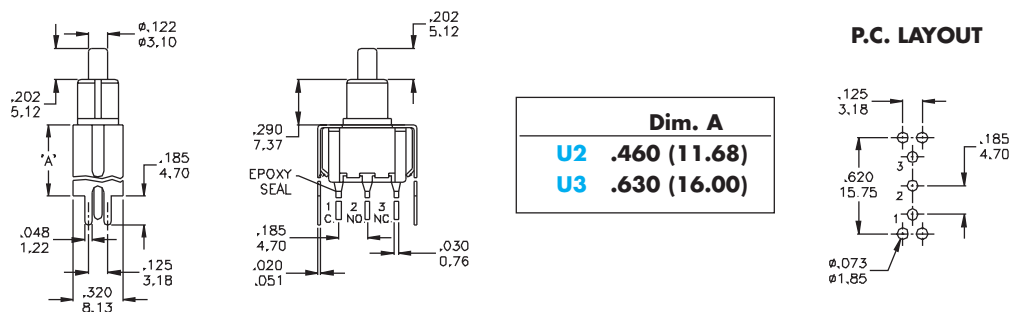
Part N° shown: 5A11-F2V9AE

**V9
DPDT**



Part N° shown: 5A21-F2V9AE

**U2 - U3
SPDT**



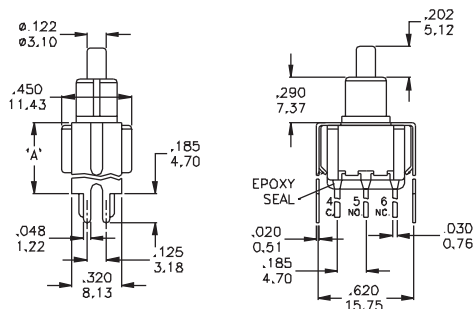
Part N° shown: 5A11-F2U_AE



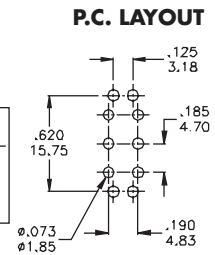
SERIES 5A

TERMINATIONS

U2 - U3 DPDT

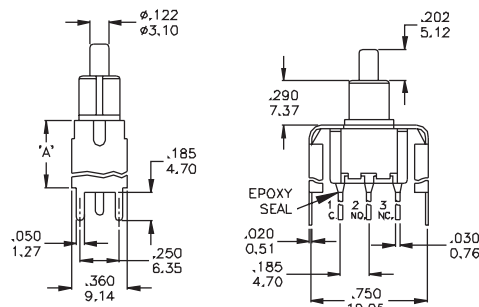


Dim. A	
U2	.460 (11.68)
U3	.630 (16.00)

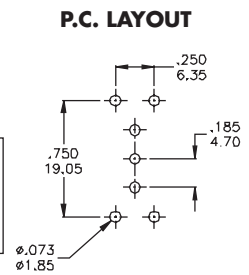


Part N° shown: 5A21-F2U_AE

U4 - U5 SPDT

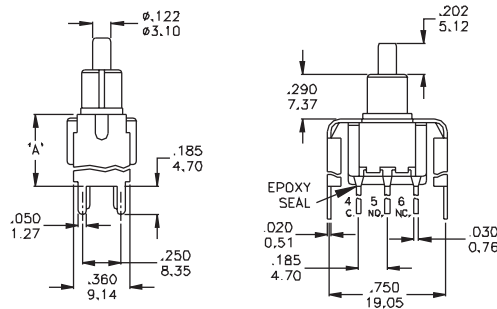


Dim. A	
U4	.460 (11.68)
U5	.630 (16.00)

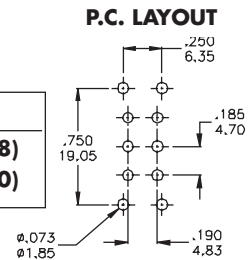


Part N° shown: 5A11-F2U_AE

U4 - U5 DPDT



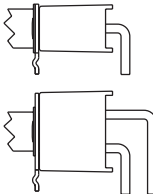
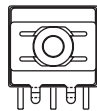
Dim. A	
U4	.460 (11.68)
U5	.630 (16.00)



Part N° shown: 5A21-F2U_AE

Snap-in termination options

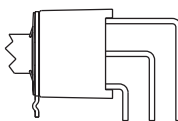
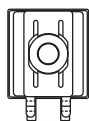
H9S



U2S
U3S



V9S



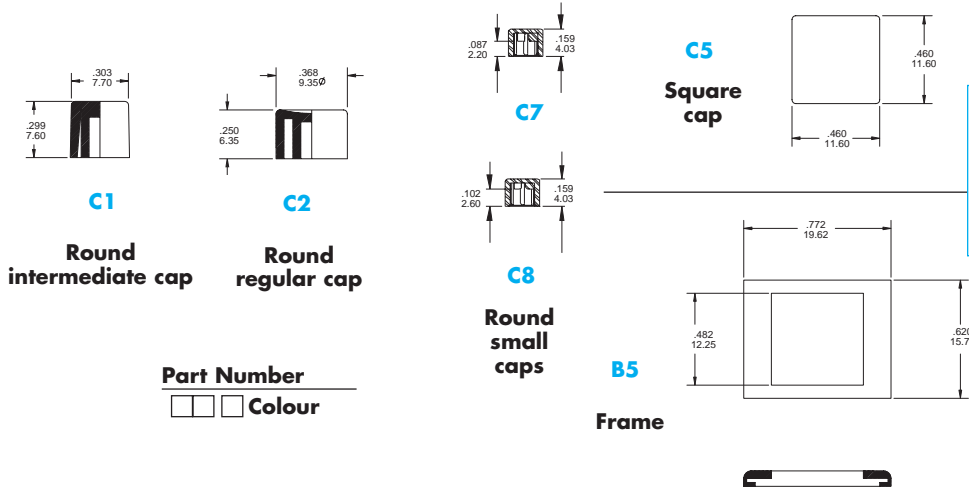
U4S
U5S



H9S, V9S, U2S, U3S, U4S, U5S have the same P.C layout but are supplied with snap-in bracket to grip onto the PCB

SERIES 5A

CAP ACCESSORIES



CAP - FRAME COLOURS OPTIONS	
1 White	6Δ Green
2 Black (std)	7Δ Blue
3 Red	8Δ Brown
4Δ Orange	9Δ Gray
5Δ Yellow	

Part Number
 Colour

CONTACT MATERIALS

CONTACT RATINGS

S (std) **Moving Contacts:** coin silver
Terminals: copper alloy, silver plated
Rating: 2 Amps with resistive load @ 250 VAC
 5 Amps with resistive load @ 125 VAC or 28 VDC

A **Moving Contacts:** copper alloy with gold plating over nickel plating
Terminals: copper alloy with gold plating over nickel plating
Rating: 0.4 Volts/Amps max @ 20 Volts max (AC or DC)

K Same as **A**, but with pre-tinned terminals

G **Moving Contacts:** gold plating over silver
End Terminals: gold plating over silver
Center Terminals: gold plating over copper alloy, silver plated
Note: **G** option used for either "high" (2 Amps @ 250 VAC) or "low" (0.4 Volts/Amps max) contact rating (one exclude the other)

PACKAGING

MARKING (on products)

LABELLING (on packaging)

Transparent Trays 15x21x4 cm



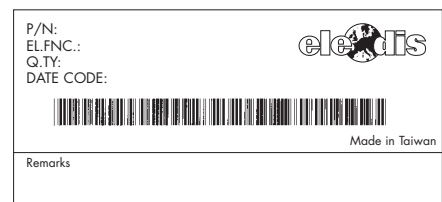
Each box contains 100 pcs

The switches are individually marked with the following information:

- Side 1** TRADE MARK
SERIES AND MODEL
DATE CODE
- Side 2** RATING
CONTACTS

Note: Not all information may be available on some products.

The label on each tray gives full information on the products contained.



A Bar code indicating Model, Quantity, Date Code enables easy traceability.