
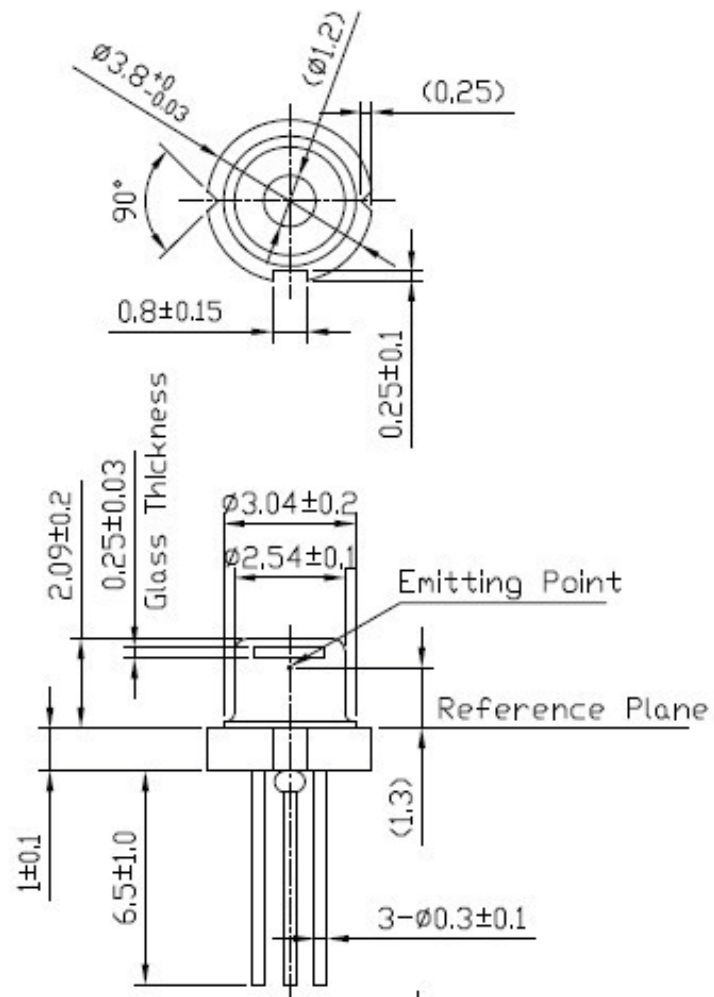


405nm 200mw SM Laser Diode| Single mode LD

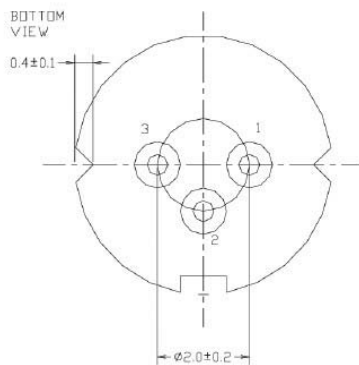
405nm SM LD| 200mw Power|3.8mm Package

405nm Laser Diode 200mw SD405020M7J			
PARAMETER	SYMBOL	VALUE	UNIT
Reverse Voltage	V_r	2.0	V
Operating Temperature	T_{op}	0 ~ +70	°C
Storage Temperature	T_{stg}	-40 ~ +85	°C
Lead soldering temperature (10 sec.)	T_{is}	260	°C
Features: <ul style="list-style-type: none"> • 405nm • CW / Pulse • Single mode beam • 3.8mm package 			
Applications: <ul style="list-style-type: none"> • Medical laser treatment • Printing • Others 			
Specifications			
	Min	Type	Max
Center Wavelength@25°C	400nm	405nm	410nm
Spectral Width (FWHM)	2.0nm		
Output Power (CW)	----	200mW	----
Beam Type	Single Mode		
Beam Divergence (FWHM)	$15^\circ \pm x 7^\circ //$	$20^\circ \pm x 9^\circ //$	$24^\circ \pm x 12^\circ //$
Recommended Operating Temperature	25 °C		
Slope Efficiency	1.0mW/mA	1.3mW/mA	1.9mW/mA
Threshold Current (Typ.)	----	35mA	60mA
Operating Current (Typ.)	----	180mA	200mA
Operating Voltage	4.2V	4.6V	5.5V
Package Style	3.8mm		
Output Power (Pulse Mode)	400mW		
	Pulse Mode Condition : Width 30ns Duty 50%		

Drawing



PIN Bottom View:



1	LD(+)
2	GND
3	LD(-)

Electrically shorten LD module and store in non-extreme conditions.

Suggest using the constant current power supply.

