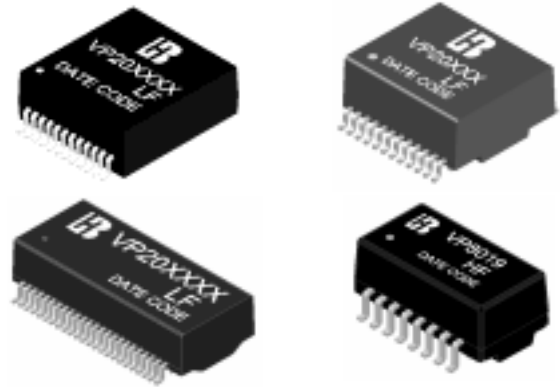


- IEEE 802-3af/ANSI X3.263 compliant performance.
- 350 mA current capability.
- Designed for IP phone or switch applications.
- Compact footprint.
- Some models offer Auto MDIX capability.
- Operating temperature range: 0 to +70 .
- Storage temperature range: -10 to +85 .



Electrical Specifications @ 25

Part Number	Insertion Loss (dB Max)	Return Loss (dB Min @Load 100 Ω)				DCMR (dB Min)		
		1-100MHz	1-30MHz	40MHz	50MHz	60-80MHz	30MHz	60MHz
VP2005A LF	-1.2	-16	-14	-13	-12	-50	-43	-35
VP2006A LF	-1.2	-16	-14	-13	-12	-43	-37	-33
VP2006B LF	-1.2	-16	-14	-13	-12	-43	-37	-33
VP2006Z LF	-1.2	-14	-13	-12	-10	-40	-35	-30
VP2008 LF	-1.2	-16	-14	-13	-12	-40	-35	-30
VP2009 ¹ LF	-1.1	-16	-14	-13	-12	-43	-37	-33
VP2014 LF	-1.2	-16	-14	-13	-12	-43	-37	-33
VP2017 LF	-1.2	-16	-14	-13	-12	-43	-37	-33
VP8019 HF	-1.2	-16	-14	-13	-12	-43	-37	-33
VP8019Z HF	-1.4	-16	-14	-13	-12	-	-	-
VP8019AM ² HF	-1.2	-16	-14	-13	-12	-43	-37	-33
VP8019B HF	-1.2	-16	-14	-13	-12	-43	-37	-33

For customized parts or more detailed information, please log on www.bothhandusa.com or write to sales@bothhandusa.com

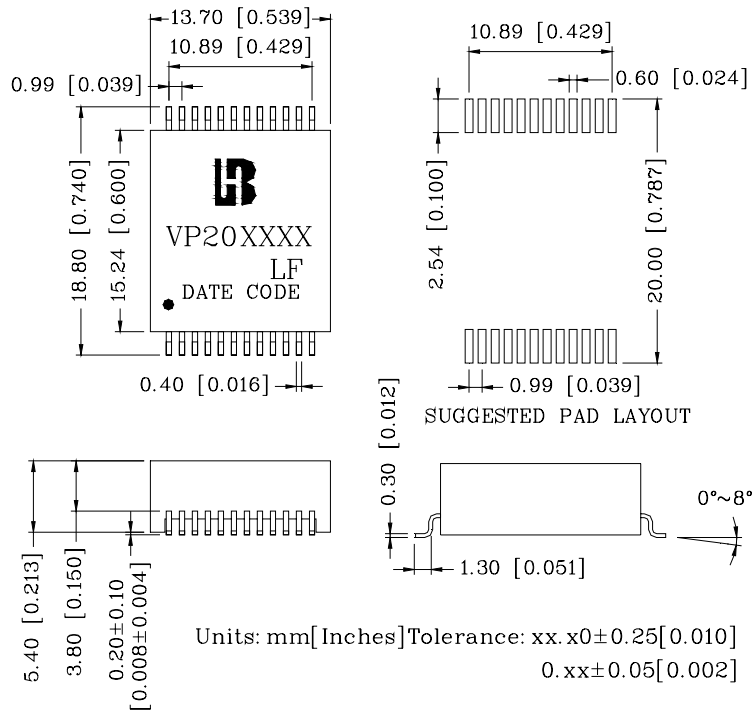
Continue								
Part Number	Turns Ratio (±5%)		OCL(μH Min) @ 100KHz/0.1V with 8mA DC Bias	Cross talk (dB Min)			Mech	HI-POT
	TX	RX		30MHz	60MHz	100MHz		
VP2005A LF	1CT: 1CT	1CT: 1CT	-	-43	-37	-33	VP-A	1500
VP2006A LF	1CT: 1CT	1CT: 1CT	-	-43	-37	-31	VP-B	1500
VP2006B LF	1CT: 1CT	1CT: 1CT	-	-43	-37	-31	VP-B	1500
VP2006Z LF	1CT:1CT	1CT:1CT	-	-40	-35	-30	VP-B	1500
VP2008 LF	1CT:1	1CT:1CT	-	-43	-37	-33	VP-B	1500
VP2009 ¹ LF	1CT: 1	1CT: 1	-	-43	-37	-33	VP-A	1500
VP2014 LF	1CT:1CT	1CT:1CT	-	-45	-40	-35	VP-C	1500
VP2017 LF	1CT:1CT	1CT:1CT	350	-45	-40	-35	VP-C	1500
VP8019 HF	1CT:1CT	1CT:1CT	350	-45	-40	-35	VP-D	1500
VP8019ZHF	1CT: 1CT	1CT: 1CT	320	-45	-40	-35	VP-D	1500
VP8019AM ² HF	1CT:1CT	1CT:1CT	-	-45	-40	-35	VP-D	1500
VP8019B HF	1CT:1CT	1CT:1CT	350	-45	-40	-35	VP-D	1500

NOTE:

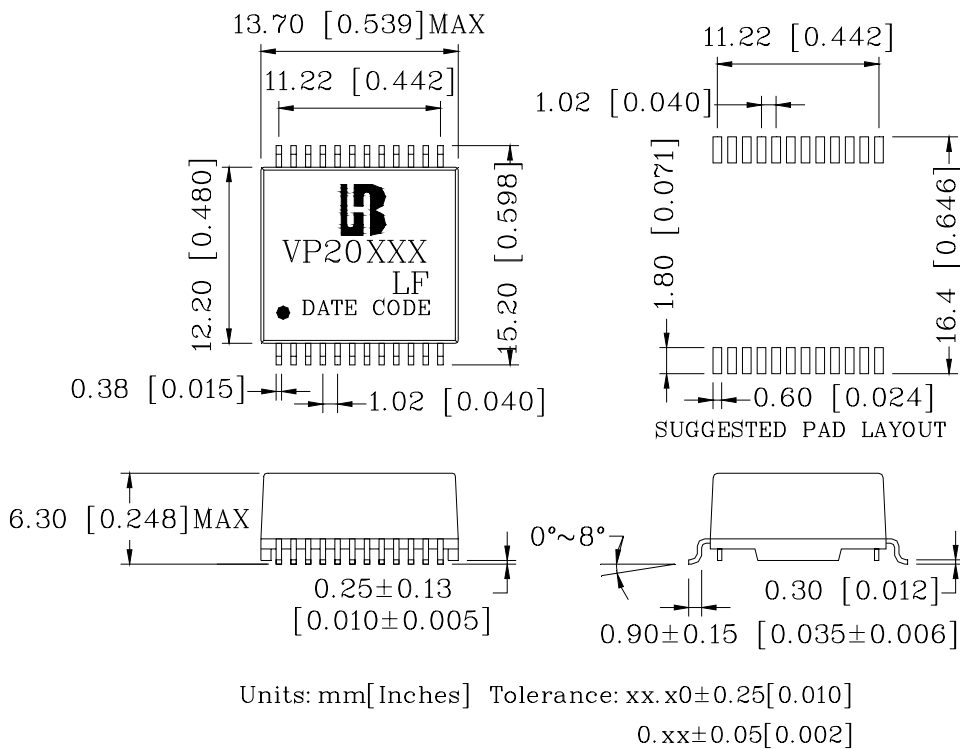
1. Suitable for Auto MDIX application
2. Operating temperature range: -40°C to +85°C.

Mechanicals

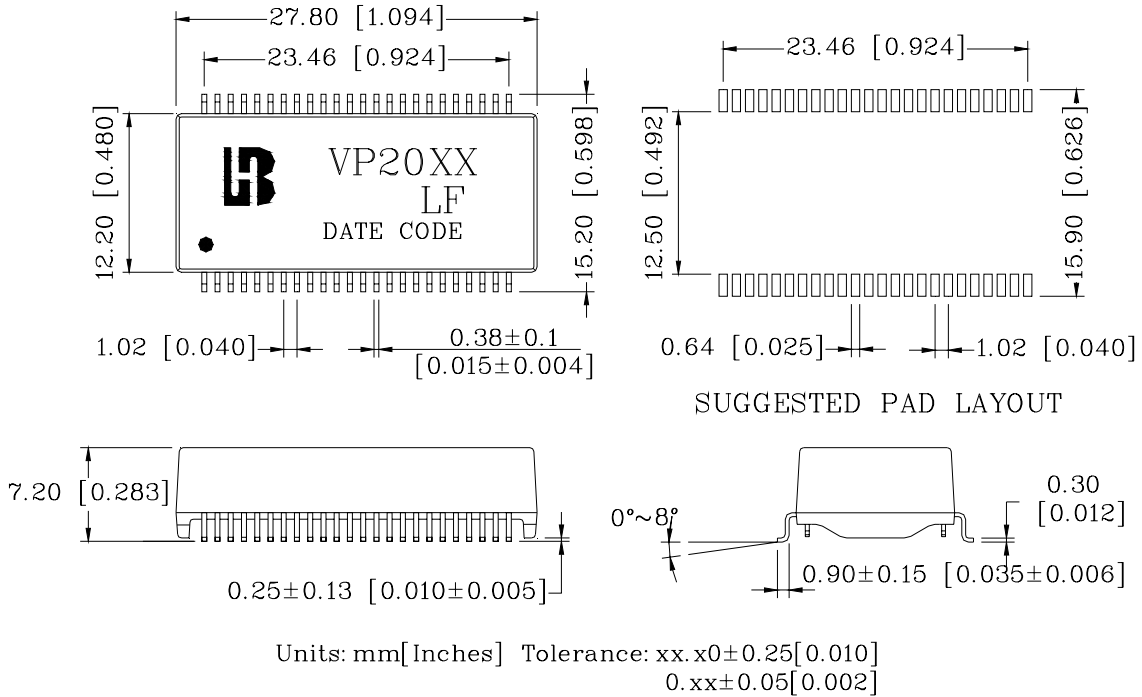
VP-A



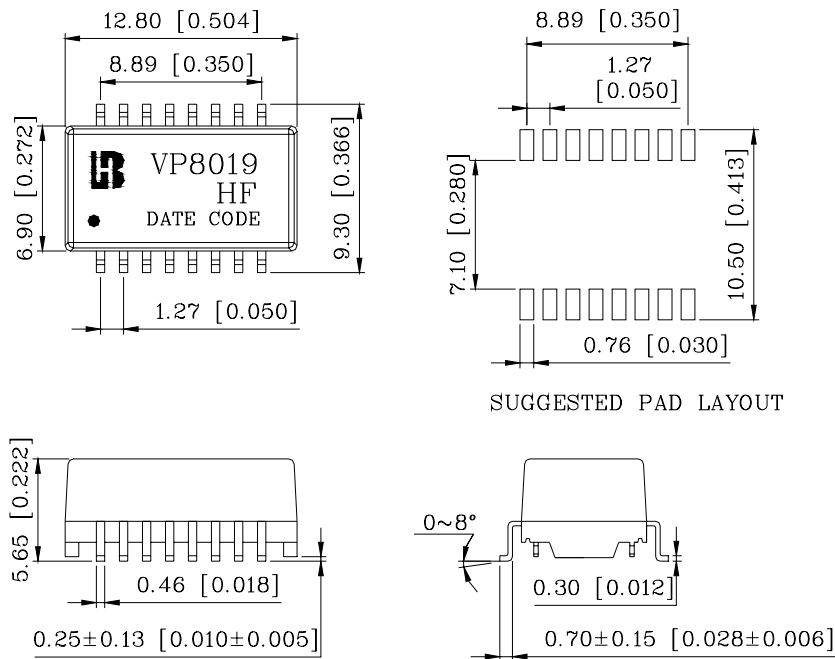
VP-B



VP-C



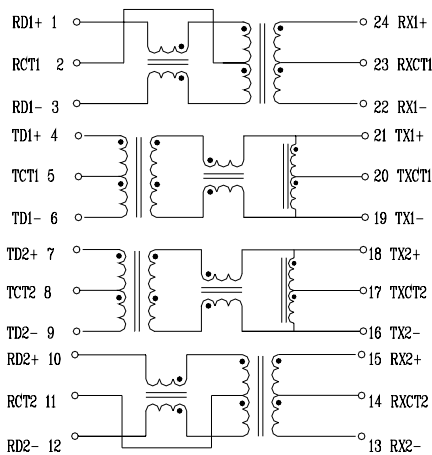
VP-D



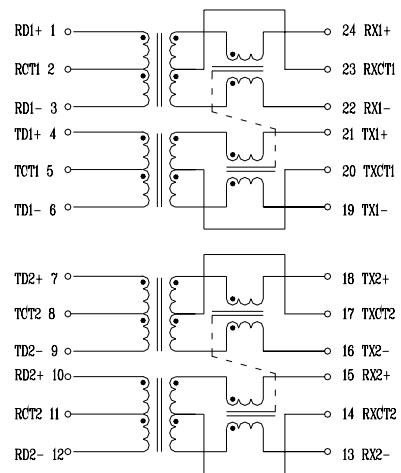
Specification	Packing Manner	Q'ty per Tube/Reel	Q'ty/ Inner box	Q'ty/ Carton
VP-A	REEL	500	500	2500
VP-B	REEL	350	350	1750
VP-C	REEL	350	350	1750
VP-D	REEL	600	1200	6000

Schematics

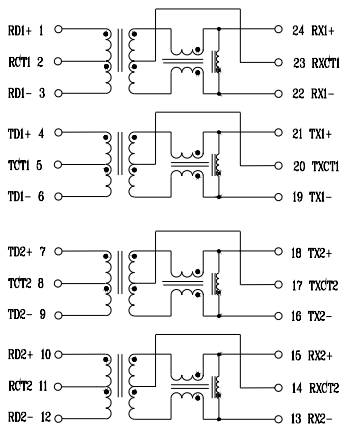
VP2005A LF



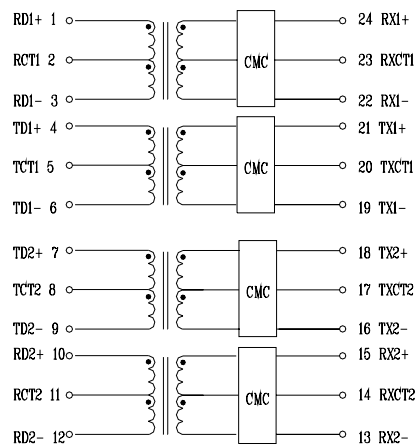
VP2006A LF



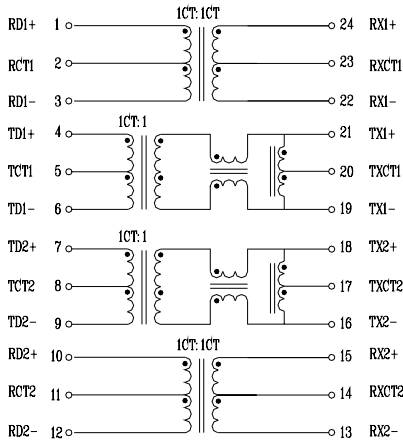
VP2006B LF



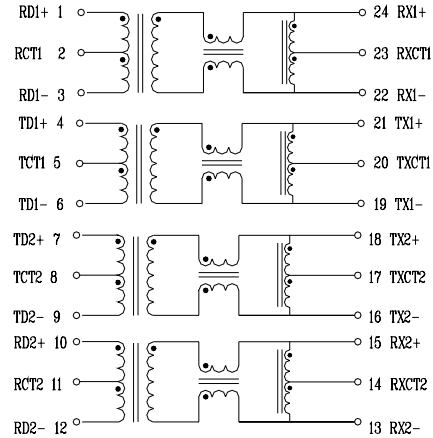
VP2006Z LF



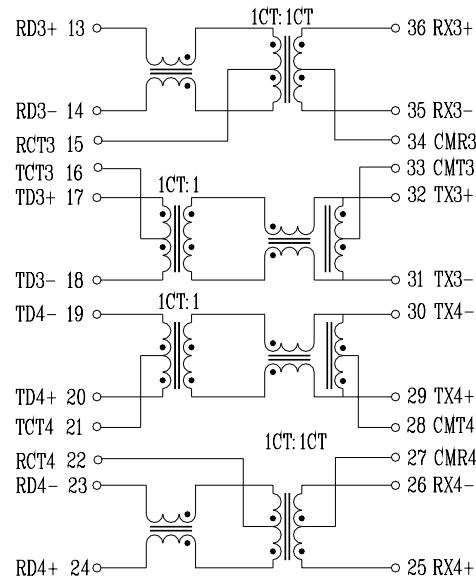
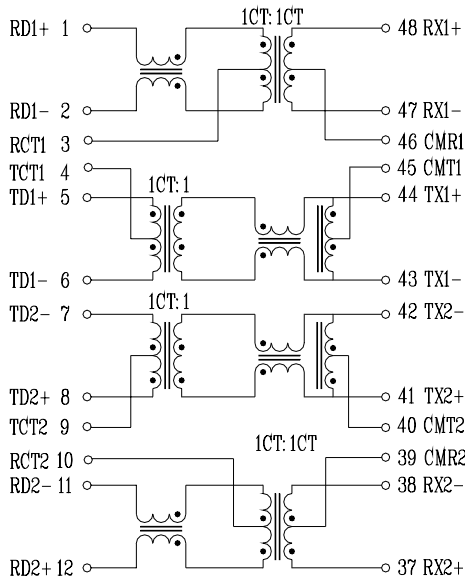
VP2008 LF



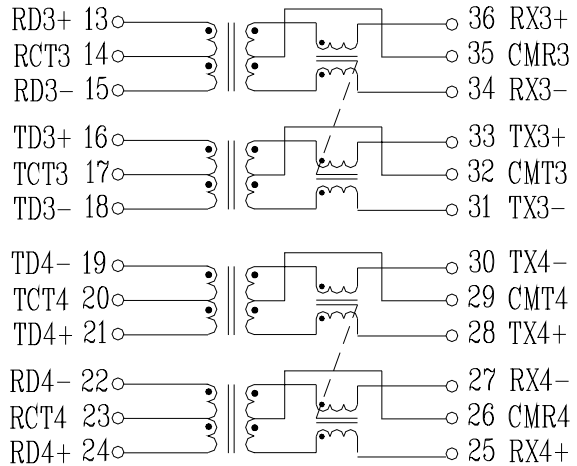
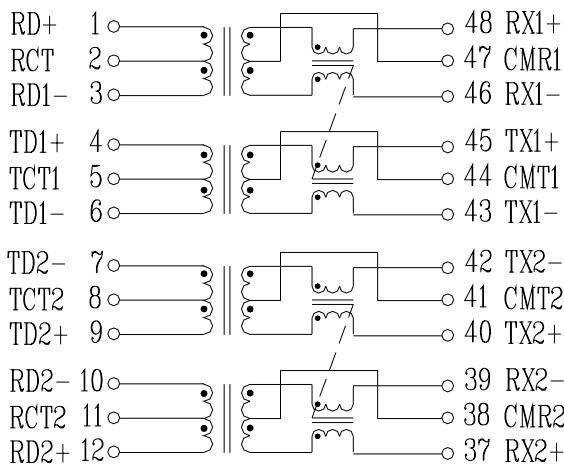
VP2009 LF



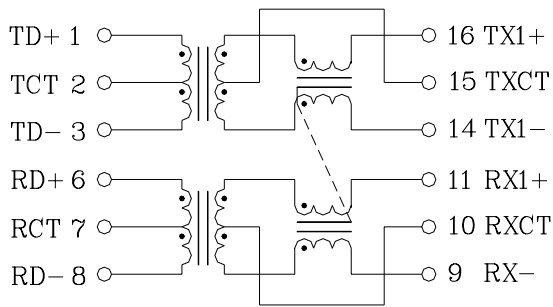
VP2014 LF



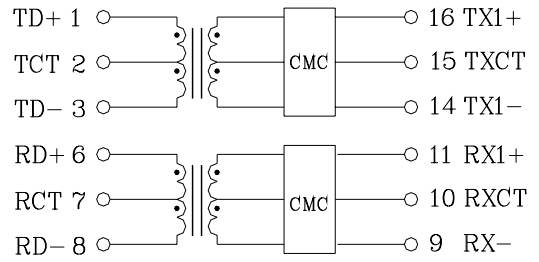
VP2017 LF



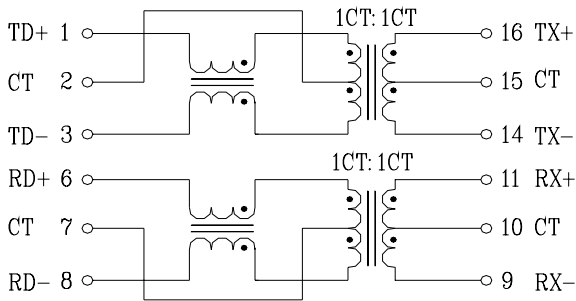
VP8019 HF



VP8019Z HF



VP8019AM HF



VP8019B HF

