

## SN74LVC1G3157 Single-Pole Double-Throw Analog Switch

### 1 Features

- ESD Protection Exceeds JESD 22
  - 2000-V Human Body Model (A114-A)
  - 1000-V Charged-Device Model (C101)
- 1.65-V to 5.5-V  $V_{CC}$  Operation
- Qualified For 125°C operation
- Specified Break-Before-Make Switching
- Rail-to-Rail Signal Handling
- Operating Frequency Typically 340 MHz at Room Temperature
- High Speed, Typically 0.5 ns ( $V_{CC} = 3\text{ V}$ ,  $C_L = 50\text{ pF}$ )
- Low ON-State Resistance, Typically  $\#6\ \Omega$  ( $V_{CC} = 4.5\text{ V}$ )
- Latch-Up Performance Exceeds 100 mA Per JESD 78, Class II

### 2 Applications

- Wearables and Mobile Devices
- Portable Computing
- Internet of Things (IoT)
- Audio Signal Routing
- Remote Radio Unit
- Portable Medical Equipment
- Surveillance
- Home Automation
- I2C/SPI/UART Bus Multiplexing
- Wireless Charging

### 3 Description

This single channel single-pole double-throw (SPDT) analog switch is designed for 1.65-V to 5.5-V  $V_{CC}$  operation.

The SN74LVC1G3157 device can handle both analog and digital signals. The SN74LVC1G3157 device permits signals with amplitudes of up to  $V_{CC}$  (peak) to be transmitted in either direction.

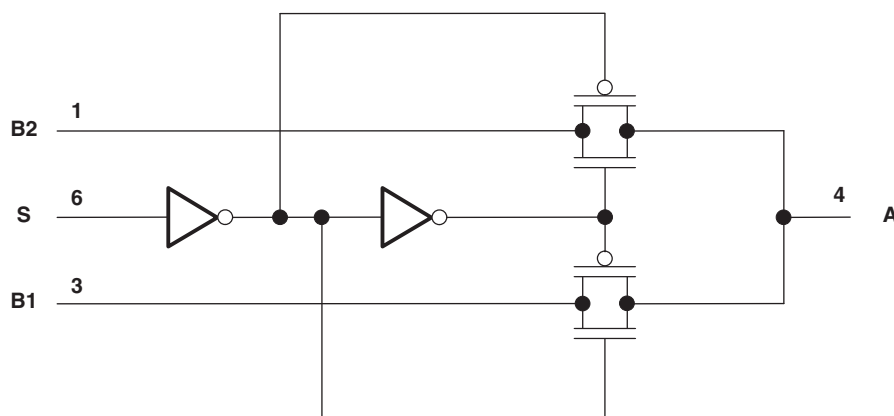
Applications include signal gating, chopping, modulation or demodulation (modem), and signal multiplexing for analog-to-digital and digital-to-analog conversion systems.

#### Device Information<sup>(1)</sup>

PART NUMBER	PACKAGE	BODY SIZE (NOM)
SN74LVC1G3157	SOT-23 (DBV)	2.90 mm x 1.60 mm
	SC70 (DCK)	2.00 mm x 1.25 mm
	SOT (DRL)	1.60 mm x 1.20 mm
	SON (DRY)	1.45 mm x 1.00 mm
	DSBGA (YZP)	1.41 mm x 0.91 mm
	SON (DSF)	1.00 mm x 1.00 mm
	X2SON (DTB)	0.80 mm x 1.00 mm

(1) For all available packages, see the orderable addendum at the end of the data sheet.

#### Simplified Schematic



## Table of Contents

<b>1 Features</b> .....	<b>1</b>	8.2 Functional Block Diagram .....	<b>15</b>
<b>2 Applications</b> .....	<b>1</b>	8.3 Feature Description .....	<b>15</b>
<b>3 Description</b> .....	<b>1</b>	8.4 Device Functional Modes .....	<b>15</b>
<b>4 Revision History</b> .....	<b>2</b>	<b>9 Application and Implementation</b> .....	<b>16</b>
<b>5 Pin Configuration and Functions</b> .....	<b>4</b>	9.1 Application Information .....	<b>16</b>
<b>6 Specifications</b> .....	<b>5</b>	9.2 Typical Application .....	<b>16</b>
6.1 Absolute Maximum Ratings .....	<b>5</b>	<b>10 Power Supply Recommendations</b> .....	<b>18</b>
6.2 ESD Ratings .....	<b>5</b>	<b>11 Layout</b> .....	<b>18</b>
6.3 Recommended Operating Conditions .....	<b>6</b>	11.1 Layout Guidelines .....	<b>18</b>
6.4 Thermal Information .....	<b>6</b>	11.2 Layout Example .....	<b>18</b>
6.5 Electrical Characteristics .....	<b>7</b>	<b>12 Device and Documentation Support</b> .....	<b>19</b>
6.6 Analog Switch Characteristics .....	<b>8</b>	12.1 Documentation Support .....	<b>19</b>
6.7 Switching Characteristics 85°C .....	<b>9</b>	12.2 Receiving Notification of Documentation Updates .....	<b>19</b>
6.8 Switching Characteristics 125°C .....	<b>9</b>	12.3 Community Resources .....	<b>19</b>
6.9 Typical Characteristics .....	<b>9</b>	12.4 Trademarks .....	<b>19</b>
<b>7 Parameter Measurement Information</b> .....	<b>10</b>	12.5 Electrostatic Discharge Caution .....	<b>19</b>
<b>8 Detailed Description</b> .....	<b>15</b>	12.6 Glossary .....	<b>19</b>
8.1 Overview .....	<b>15</b>	<b>13 Mechanical, Packaging, and Orderable Information</b> .....	<b>19</b>

## 4 Revision History

NOTE: Page numbers for previous revisions may differ from page numbers in the current version.

Changes from Revision K (January 2017) to Revision L	Page
Deleted <i>Feature</i> "Useful for Both Analog and Digital Applications" .....	<b>1</b>
Deleted <i>Feature</i> "High Degree of Linearity" .....	<b>1</b>
Changed the first sentence of the <i>Description</i> From: "This single-pole double-throw (SPDT)..." To: "This single channel single pole double-throw (SPDT)..." .....	<b>1</b>
Added the X2SON (DTB) package to the <i>Device Information</i> .....	<b>1</b>
Added the X2SON (DTB) package to the <i>Pin Configuration and Functions</i> .....	<b>4</b>
Changed $I_{I/O}$ To: $I_{I/OK}$ for I/O port diode current in the <i>Absolute Maximum Ratings</i> .....	<b>5</b>
Added the DTB (X2SON) package to the <i>Thermal Information</i> table .....	<b>6</b>
Changed Note 1 and Note 2 in the <i>Analog Switch Characteristics</i> table .....	<b>9</b>
Deleted Note 3 "Specified by design" from the <i>Analog Switch Characteristics</i> tables .....	<b>9</b>
Deleted Note 4 "Specified by design" from the <i>Switch Characteristics 85°C</i> tables .....	<b>9</b>
Deleted Note 4 "Specified by design" from the <i>Switch Characteristics 125°C</i> tables .....	<b>9</b>
Changed <a href="#">Figure 3</a> , From: $SW1 = V_{IL}$ to $SW1 = V_{IH}$ , From: $SW2 = V_{IH}$ to: $SW2 = V_{IL}$ .....	<b>10</b>
Changed <a href="#">Figure 6</a> .....	<b>12</b>
Added a series 50-Ω resistor on B1 in <a href="#">Figure 7</a> .....	<b>12</b>
Changed <a href="#">Figure 8</a> .....	<b>13</b>

Changes from Revision J (June 2016) to Revision K	Page
Added new applications to <i>Applications</i> section .....	<b>1</b>
Added Operating free-air temperature, $T_A$ for BGA and all other packages in <i>Recommended Operating Conditions</i> .....	<b>6</b>
Added 125°C data to <i>Electrical Characteristics</i> table. ....	<b>7</b>
Added 85°C to title to differentiate from new 125°C <i>Switching Characteristics</i> section. ....	<b>9</b>
Added 125°C <i>Switching Characteristics</i> section and data. ....	<b>9</b>

**Changes from Revision I (June 2015) to Revision J**
**Page**

• Deleted 200-V Machine Model (A115-A) from <i>Features</i> .....	1
• Changed <i>Feature</i> From: "Operating Frequency Typically 300 MHz at Room Temperature" To: "Operating Frequency Typically 340 MHz at Room Temperature" .....	1
• Updated <i>Device Information</i> table .....	1
• Updated pinout images for all packages .....	4
• Added temperature ranges for Storage temperature, $T_{stg}$ and Junction temperature, $T_j$ in <i>Absolute Maximum Ratings</i> .....	5
• Changed MAX value $\pm 1$ to $\pm 0.1$ for $I_{off}$ and $I_{IN}$ in <i>Electrical Characteristics</i> table.....	7
• Added <i>Receiving Notification of Documentation Updates</i> section .....	19

**Changes from Revision H (May 2012) to Revision I**
**Page**

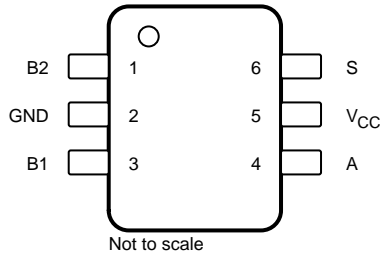
• Added <i>Device Information</i> table, <i>Pin Configuration and Functions</i> section, <i>ESD Ratings</i> table, <i>Feature Description</i> section, <i>Device Functional Modes, Application and Implementation</i> section, <i>Power Supply Recommendations</i> section, <i>Layout</i> section, <i>Device and Documentation Support</i> section, and <i>Mechanical, Packaging, and Orderable Information</i> section .....	1
• Updated <i>Features</i> .....	1

**Changes from Revision G (September 2011) to Revision H**
**Page**

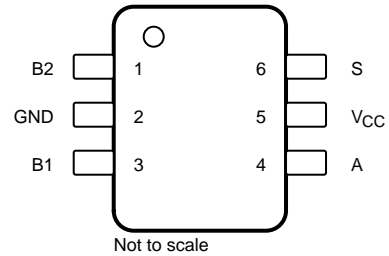
• Changed YZP with correct pin labels. ....	4
• Added <i>Thermal Information</i> table .....	6
• Changed to correct Pin Label "S" .....	7

## 5 Pin Configuration and Functions

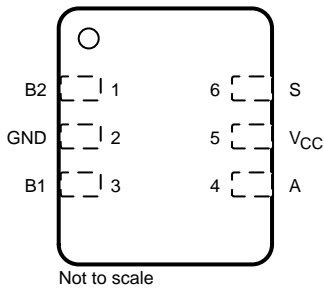
**DBV Package**  
6-Pin SOT-23  
Top View



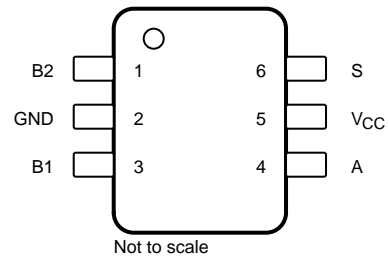
**DCK Package**  
6-Pin SC70  
Top View



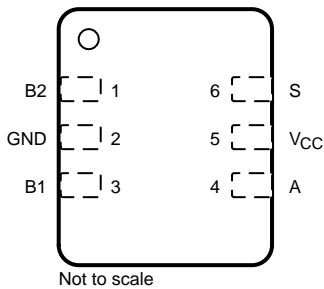
**DRY Package**  
6-Pin SON  
Top View



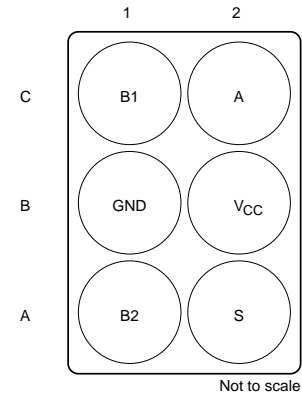
**DRL Package**  
6-Pin SOT  
Top View



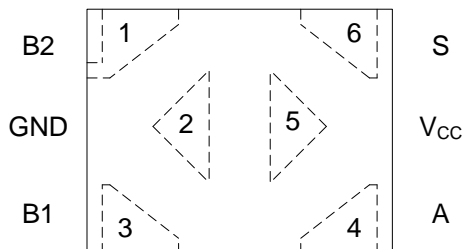
**DSF Package**  
6-Pin SON  
Top View



**YZP Package**  
6-Pin DSBGA  
Bottom View



**DTB Package**  
6-Pin X2SON  
Top View



### Pin Functions

NAME	PIN		I/O	DESCRIPTION
	SOT-23, SC70, SON, X2SON, or SOT	DSBGA		
B2	1	A1	I/O	Switch I/O. Set S high to enable.
GND	2	B1	—	Ground
B1	3	C1	I/O	Switch I/O. Set S low to enable.
A	4	C2	I/O	Common terminal
V <sub>CC</sub>	5	B2	—	Power supply
S	6	A2	I	Select

## 6 Specifications

### 6.1 Absolute Maximum Ratings

over operating free-air temperature range (unless otherwise noted)<sup>(1)</sup>

		MIN	MAX	UNIT	
V <sub>CC</sub>	Supply voltage <sup>(2)</sup>	−0.5	6.5	V	
V <sub>IN</sub>	Control input voltage <sup>(2)(3)</sup>	−0.5	6.5	V	
V <sub>I/O</sub>	Switch I/O voltage <sup>(2)(3)(4)(5)</sup>	−0.5	V <sub>CC</sub> + 0.5	V	
I <sub>IK</sub>	Control input clamp current	V <sub>IN</sub> < 0		−50	mA
I <sub>I/O</sub>	I/O port diode current	V <sub>I/O</sub> < 0 or V <sub>I/O</sub> > V <sub>CC</sub>		±50	mA
I <sub>I/O</sub>	On-state switch current <sup>(6)</sup>	V <sub>I/O</sub> = 0 to V <sub>CC</sub>		±128	mA
	Continuous current through V <sub>CC</sub> or GND			±100	mA
T <sub>J</sub>	Junction temperature			150	°C
T <sub>stg</sub>	Storage temperature	−65	150	°C	

- (1) Stresses beyond those listed under *Absolute Maximum Ratings* may cause permanent damage to the device. These are stress ratings only, and functional operation of the device at these or any other conditions beyond those indicated under *Recommended Operating Conditions* is not implied. Exposure to absolute-maximum-rated conditions for extended periods may affect device reliability.
- (2) All voltages are with respect to ground unless otherwise specified.
- (3) The input and output negative-voltage ratings may be exceeded if the input and output clamp-current ratings are observed.
- (4) This value is limited to 5.5 V maximum.
- (5) V<sub>I</sub>, V<sub>O</sub>, V<sub>A</sub>, and V<sub>Bn</sub> are used to denote specific conditions for V<sub>I/O</sub>.
- (6) I<sub>I</sub>, I<sub>O</sub>, I<sub>A</sub>, and I<sub>Bn</sub> are used to denote specific conditions for I<sub>I/O</sub>.

### 6.2 ESD Ratings

		VALUE	UNIT
V <sub>(ESD)</sub>	Electrostatic discharge	Human body model (HBM), per ANSI/ESDA/JEDEC JS-001 <sup>(1)</sup>	±2000
		Charged-device model (CDM), per JEDEC specification JESD22-C101 <sup>(2)</sup>	±1000

- (1) JEDEC document JEP155 states that 500-V HBM allows safe manufacturing with a standard ESD control process.
- (2) JEDEC document JEP157 states that 250-V CDM allows safe manufacturing with a standard ESD control process.

### 6.3 Recommended Operating Conditions

 over operating free-air temperature range (unless otherwise noted)<sup>(1)</sup>

		MIN	MAX	UNIT	
V <sub>CC</sub>	Supply voltage	1.65	5.5	V	
V <sub>I/O</sub>	Switch input or output voltage	0	V <sub>CC</sub>	V	
V <sub>IN</sub>	Control input voltage	0	5.5	V	
V <sub>IH</sub>	High-level input voltage, control input	V <sub>CC</sub> = 1.65 V to 1.95 V	V <sub>CC</sub> × 0.75	V	
		V <sub>CC</sub> = 2.3 V to 5.5 V	V <sub>CC</sub> × 0.7		
V <sub>IL</sub>	Low-level input voltage, control input	V <sub>CC</sub> = 1.65 V to 1.95 V	V <sub>CC</sub> × 0.25	V	
		V <sub>CC</sub> = 2.3 V to 5.5 V	V <sub>CC</sub> × 0.3		
Δt/Δv	Input transition rise or fall rate	V <sub>CC</sub> = 1.65 V to 1.95 V	20	ns/V	
		V <sub>CC</sub> = 2.3 V to 2.7 V	20		
		V <sub>CC</sub> = 3 V to 3.6 V	10		
		V <sub>CC</sub> = 4.5 V to 5.5 V	10		
T <sub>A</sub>	Operating free-air temperature	BGA package (YZP)	–40	85	°C
		All other packages (DBV, DCK, DRL, DRY, DSF)	–40	125	°C

(1) All unused inputs of the device must be held at V<sub>CC</sub> or GND to ensure proper device operation. See the TI application report, [Implications of Slow or Floating CMOS Inputs](#) (SCBA004).

### 6.4 Thermal Information

THERMAL METRIC <sup>(1)</sup>	SN74LVC1G3157						UNIT	
	DBV (SOT-23)	DCK (SC70)	DRL (SOT)	DRY (SON)	DTB (X2SON)	YZP (DSBGA)		
	6 PINS	6 PINS	6 PINS	6 PINS	6 PINS	6 PINS		
R <sub>θJA</sub>	Junction-to-ambient thermal resistance	234.9	269.5	244.1	284.2	324.5	129.4	°C/W
R <sub>θJC(top)</sub>	Junction-to-case (top) thermal resistance	150.4	189.5	112.5	138.6	150.5	1.9	°C/W
R <sub>θJB</sub>	Junction-to-board thermal resistance	86.4	84.7	109.9	170.9	239.0	40.0	°C/W
Ψ <sub>JT</sub>	Junction-to-top characterization parameter	60.8	62.7	9.3	13.7	17.2	0.6	°C/W
Ψ <sub>JB</sub>	Junction-to-board characterization parameter	86.1	84.0	109.3	167.9	238.3	40.2	°C/W
R <sub>θJC(bot)</sub>	Junction-to-case (bottom) thermal resistance	n/a	n/a	n/a	n/a	n/a	n/a	°C/W

(1) For more information about traditional and new thermal metrics, see the [Semiconductor and IC Package Thermal Metrics](#) application report.

## 6.5 Electrical Characteristics

over recommended operating free-air temperature range (unless otherwise noted)

PARAMETER	TEST CONDITIONS		V <sub>CC</sub>	T <sub>A</sub> = -40 to 85°C			T <sub>A</sub> = -40 to 125°C			UNIT	
				MIN	TYP <sup>(1)</sup>	MAX	MIN	TYP <sup>(1)</sup>	MAX		
r <sub>on</sub> ON-state switch resistance <sup>(2)</sup>	See Figure 1 and Figure 2	V <sub>I</sub> = 0 V	I <sub>O</sub> = 4 mA	1.65 V		11	20		11	20	Ω
		V <sub>I</sub> = 1.65 V	I <sub>O</sub> = -4 mA			15	50		15	50	
		V <sub>I</sub> = 0 V	I <sub>O</sub> = 8 mA	2.3 V		8	12		8	12	
		V <sub>I</sub> = 2.3 V	I <sub>O</sub> = -8 mA			11	30		11	30	
		V <sub>I</sub> = 0 V	I <sub>O</sub> = 24 mA	3 V		7	9		7	9	
		V <sub>I</sub> = 3 V	I <sub>O</sub> = -24 mA			9	20		9	20	
		V <sub>I</sub> = 0 V	I <sub>O</sub> = 30 mA	4.5 V		6	7		6	7	
		V <sub>I</sub> = 2.4 V	I <sub>O</sub> = -30 mA			7	12		7	12	
V <sub>I</sub> = 4.5 V	I <sub>O</sub> = -30 mA		7	15		7	15				
r <sub>range</sub> ON-state switch resistance over signal range <sup>(2)(3)</sup>	0 ≤ V <sub>Bn</sub> ≤ V <sub>CC</sub> (see Figure 1 and Figure 2)	I <sub>A</sub> = -4 mA		1.65 V				140		140	Ω
		I <sub>A</sub> = -8 mA		2.3 V				45		45	
		I <sub>A</sub> = -24 mA		3 V				18		18	
		I <sub>A</sub> = -30 mA		4.5 V				10		10	
Δr <sub>on</sub> Difference of ON-state resistance between switches <sup>(2)(4)(5)</sup>	See Figure 2	V <sub>Bn</sub> = 1.15 V	I <sub>A</sub> = -4 mA	1.65 V		0.5			0.5		Ω
		V <sub>Bn</sub> = 1.6 V	I <sub>A</sub> = -8 mA	2.3 V		0.1			0.3		
		V <sub>Bn</sub> = 2.1 V	I <sub>A</sub> = -24 mA	3 V		0.1			0.3		
		V <sub>Bn</sub> = 3.15 V	I <sub>A</sub> = -30 mA	4.5 V		0.1			0.2		
r <sub>on(flat)</sub> ON resistance flatness <sup>(2)(4)(6)</sup>	0 ≤ V <sub>Bn</sub> ≤ V <sub>CC</sub>	I <sub>A</sub> = -4 mA		1.65 V		110			110		Ω
		I <sub>A</sub> = -8 mA		2.3 V		26			40		
		I <sub>A</sub> = -24 mA		3 V		9			10		
		I <sub>A</sub> = -30 mA		4.5 V		4			5		
I <sub>off</sub> <sup>(7)</sup> OFF-state switch leakage current	0 ≤ V <sub>I</sub> , V <sub>O</sub> ≤ V <sub>CC</sub> (see Figure 3)			1.65 V to 5.5 V			±1			±1	μA
I <sub>S(on)</sub> ON-state switch leakage current	V <sub>I</sub> = V <sub>CC</sub> or GND, V <sub>O</sub> = Open (see Figure 4)			5.5 V			±1			±1	μA
I <sub>IN</sub> Control input current	0 ≤ V <sub>IN</sub> ≤ V <sub>CC</sub>			0 V to 5.5 V			±1			±1	μA
I <sub>CC</sub> Supply current	S = V <sub>CC</sub> or GND			5.5 V		1	10			35	μA
ΔI <sub>CC</sub> Supply-current change	S = V <sub>CC</sub> - 0.6 V			5.5 V			500			500	μA
C <sub>i</sub> Control input capacitance	S			5 V		2.7				2.7	pF
C <sub>io(off)</sub> Switch input/output capacitance	Bn			5 V		5.2				5.2	pF
C <sub>io(on)</sub> Switch input/output capacitance	Bn			5 V		17.3				17.3	pF
	A						17.3				

- (1) T<sub>A</sub> = 25°C
- (2) Measured by the voltage drop between I/O pins at the indicated current through the switch. ON-state resistance is determined by the lower of the voltages on the two (A or B) ports.
- (3) Specified by design
- (4) Δr<sub>on</sub> = r<sub>on(max)</sub> - r<sub>on(min)</sub> measured at identical V<sub>CC</sub>, temperature, and voltage levels
- (5) This parameter is characterized, but not production tested.
- (6) Flatness is defined as the difference between the maximum and minimum values of on-state resistance over the specified range of conditions.
- (7) I<sub>off</sub> is the same as I<sub>S(off)</sub> (off-state switch leakage current).

## 6.6 Analog Switch Characteristics

 $T_A = 25^\circ\text{C}$ 

PARAMETER	FROM (INPUT)	TO (OUTPUT)	TEST CONDITIONS	V <sub>CC</sub>	TYP	UNIT
Frequency response <sup>(1)</sup> (switch on)	A or Bn	Bn or A	R <sub>L</sub> = 50 Ω, f <sub>in</sub> = sine wave (see Figure 6)	1.65 V	340	MHz
				2.3 V	340	
				3 V	340	
				4.5 V	340	
Crosstalk <sup>(2)</sup> (between switches)	B1 or B2	B2 or B1	R <sub>L</sub> = 50 Ω, f <sub>in</sub> = 10 MHz (sine wave) (see Figure 7)	1.65 V	-54	dB
				2.3 V	-54	
				3 V	-54	
				4.5 V	-54	
Feed through attenuation <sup>(2)</sup> (switch off)	A or Bn	Bn or A	C <sub>L</sub> = 5 pF, R <sub>L</sub> = 50 Ω, f <sub>in</sub> = 10 MHz (sine wave) (see Figure 8)	1.65 V	-57	dB
				2.3 V	-57	
				3 V	-57	
				4.5 V	-57	
Charge injection	S	A	C <sub>L</sub> = 0.1 nF, R <sub>L</sub> = 1 MΩ (see Figure 9)	3.3 V	3	pC
				5 V	7	
Total harmonic distortion	A or Bn	Bn or A	V <sub>i</sub> = 0.5 V <sub>p-p</sub> , R <sub>L</sub> = 600 Ω, f <sub>in</sub> = 600 Hz to 20 kHz (sine wave) (see Figure 10)	1.65 V	0.1%	
				2.3 V	0.025%	
				3 V	0.015%	
				4.5 V	0.01%	

(1) Set f<sub>in</sub> to 0 dBm and provide a bias of 0.4 V. Increase f<sub>in</sub> frequency until the gain is 3 dB below the insertion loss.

(2) Set f<sub>in</sub> to 0 dBm and provide a bias of 0.4 V.



### 6.7 Switching Characteristics 85°C

T<sub>A</sub> = -40 to +85°C (see Figure 5 and Figure 11)

PARAMETER	FROM (INPUT)	TO (OUTPUT)	V <sub>CC</sub> = 1.8 V ± 0.15 V		V <sub>CC</sub> = 2.5 V ± 0.2 V		V <sub>CC</sub> = 3.3 V ± 0.3 V		V <sub>CC</sub> = 5 V ± 0.5 V		UNIT
			MIN	MAX	MIN	MAX	MIN	MAX	MIN	MAX	
t <sub>pd</sub> <sup>(1)</sup>	A or Bn	Bn or A		2		1.2		0.8		0.3	ns
t <sub>en</sub> <sup>(2)</sup>	S	Bn	7	24	3.5	14	2.5	7.6	1.7	5.7	ns
t <sub>dis</sub> <sup>(3)</sup>			3	13	2	7.5	1.5	5.3	0.8	3.8	
t <sub>B-M</sub>			0.5		0.5		0.5		0.5		ns

- (1) t<sub>pd</sub> is the slower of t<sub>PLH</sub> or t<sub>PHL</sub>. The propagation delay is calculated RC time constant of the typical ON-state resistance of the switch and the specified load capacitance when driven by an ideal voltage source (zero output impedance).
- (2) t<sub>en</sub> is the slower of t<sub>PZL</sub> or t<sub>PZH</sub>.
- (3) t<sub>dis</sub> is the slower of t<sub>PLZ</sub> or t<sub>PHZ</sub>.

### 6.8 Switching Characteristics 125°C

T<sub>A</sub> = -40 to +125°C (see Figure 5 and Figure 11)

PARAMETER	FROM (INPUT)	TO (OUTPUT)	V <sub>CC</sub> = 1.8 V ± 0.15 V		V <sub>CC</sub> = 2.5 V ± 0.2 V		V <sub>CC</sub> = 3.3 V ± 0.3 V		V <sub>CC</sub> = 5 V ± 0.5 V		UNIT
			MIN	MAX	MIN	MAX	MIN	MAX	MIN	MAX	
t <sub>pd</sub> <sup>(1)</sup>	A or Bn	Bn or A		2		1.2		0.8		0.5	ns
t <sub>en</sub> <sup>(2)</sup>	S	Bn	1	24.5	1	14.5	2.5	8	1.7	6	ns
t <sub>dis</sub> <sup>(3)</sup>			2.5	13.5	2	8	1.5	5.5	0.8	4	
t <sub>B-M</sub>			0.5		0.5		0.5		0.5		ns

- (1) t<sub>pd</sub> is the slower of t<sub>PLH</sub> or t<sub>PHL</sub>. The propagation delay is calculated RC time constant of the typical ON-state resistance of the switch and the specified load capacitance when driven by an ideal voltage source (zero output impedance).
- (2) t<sub>en</sub> is the slower of t<sub>PZL</sub> or t<sub>PZH</sub>.
- (3) t<sub>dis</sub> is the slower of t<sub>PLZ</sub> or t<sub>PHZ</sub>.

### 6.9 Typical Characteristics

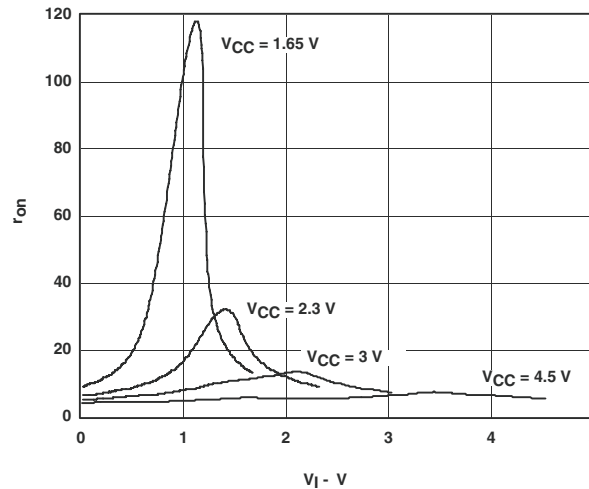
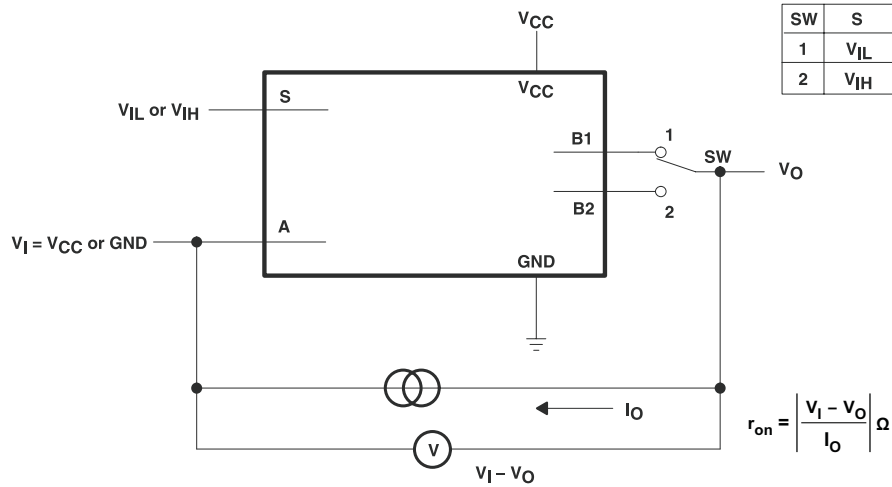
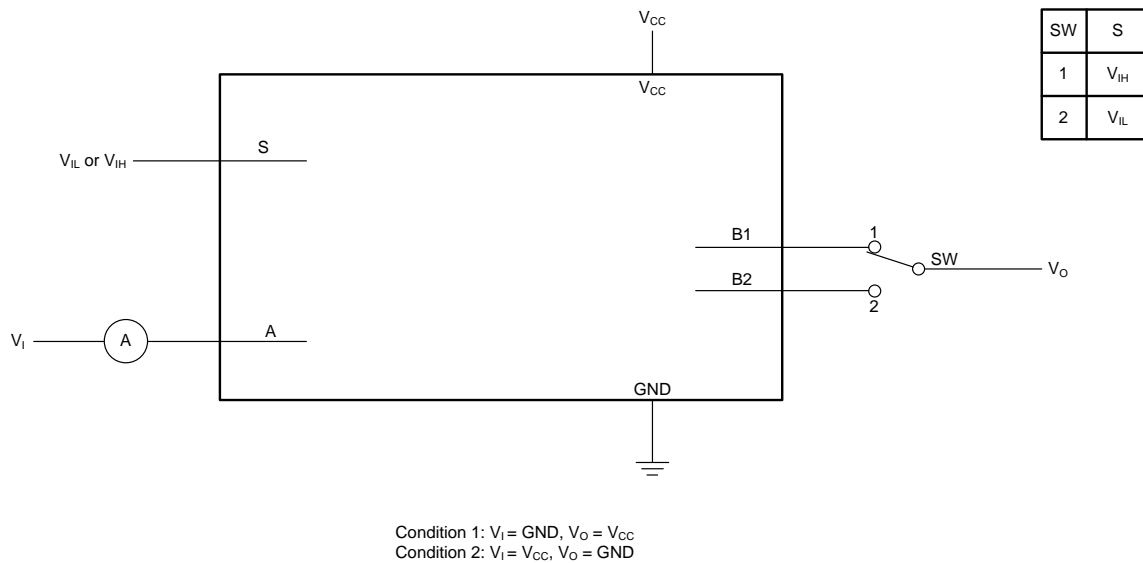


Figure 1. Typical r<sub>on</sub> as a Function of Input Voltage (V<sub>I</sub>) for V<sub>I</sub> = 0 to V<sub>CC</sub>

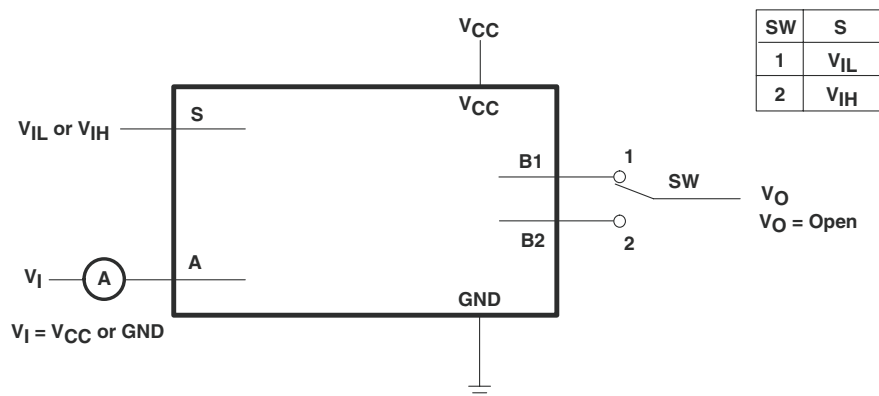
## 7 Parameter Measurement Information



**Figure 2. ON-State Resistance Test Circuit**

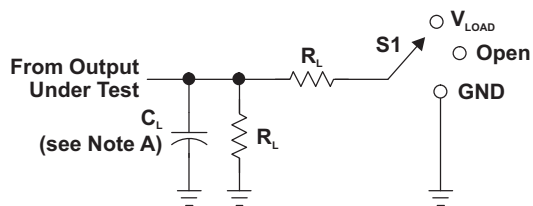


**Figure 3. OFF-State Switch Leakage-Current Test Circuit**



**Figure 4. ON-State Switch Leakage-Current Test Circuit**

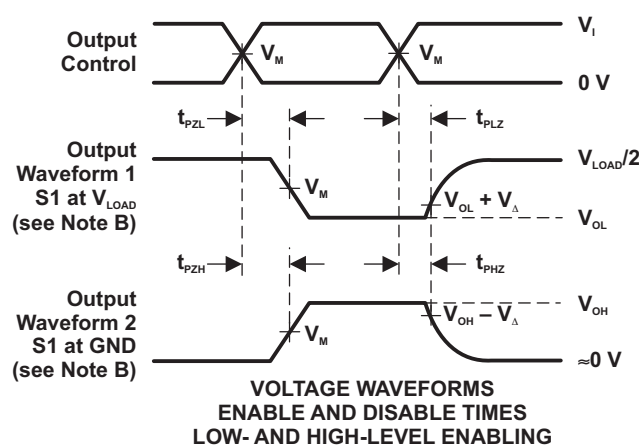
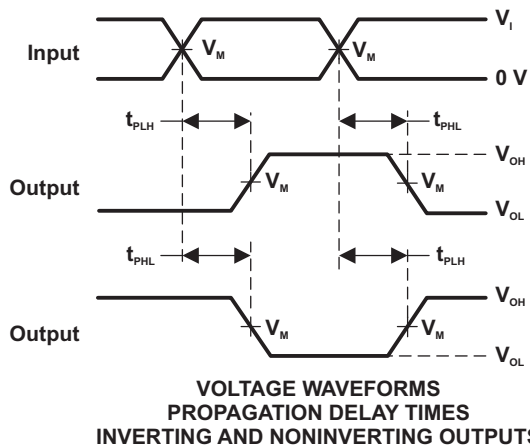
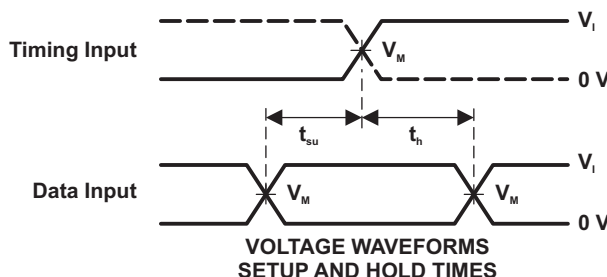
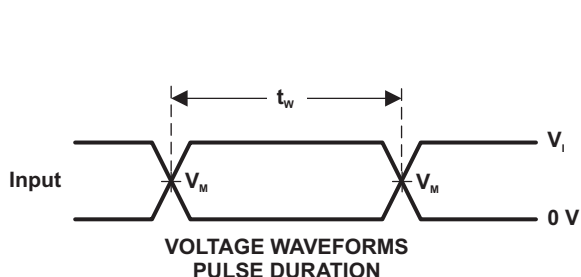
Parameter Measurement Information (continued)



LOAD CIRCUIT

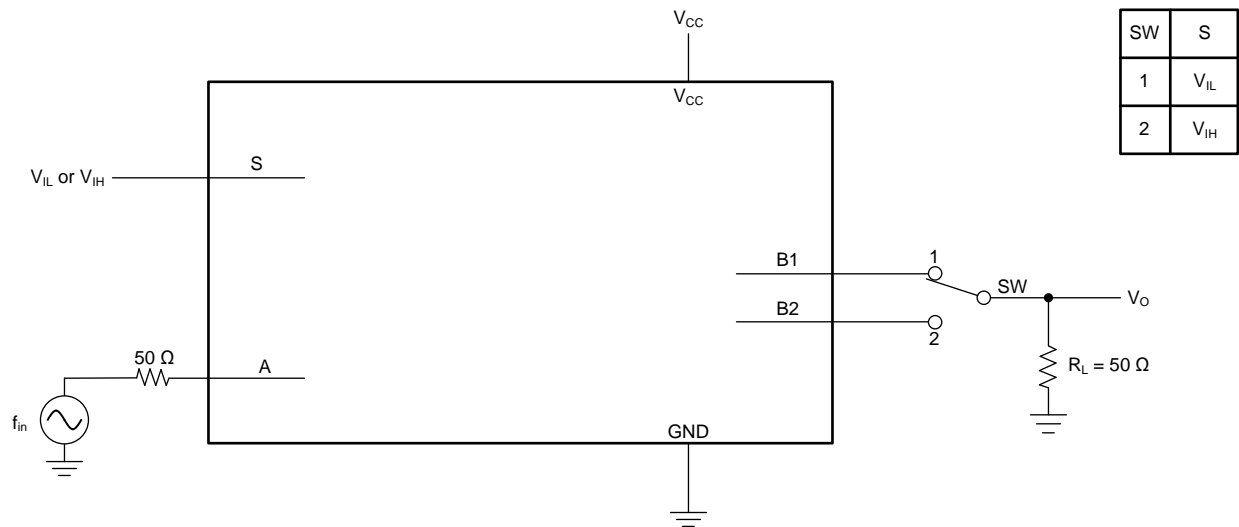
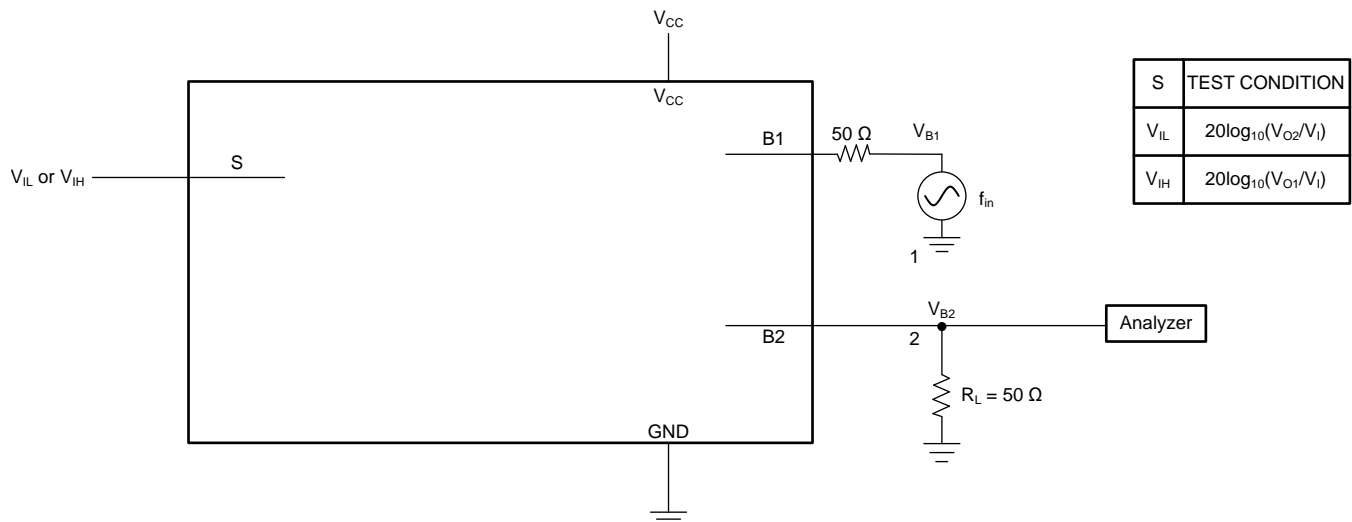
TEST	S1
$t_{PLH}/t_{PHL}$	Open
$t_{PLZ}/t_{PZL}$	$V_{LOAD}$
$t_{PHZ}/t_{PZH}$	GND

$V_{CC}$	INPUTS		$V_M$	$V_{LOAD}$	$C_L$	$R_L$	$V_{\Delta}$
	$V_I$	$t_r/t_f$					
$1.8\text{ V} \pm 0.15\text{ V}$	$V_{CC}$	$\leq 2\text{ ns}$	$V_{CC}/2$	$2 \times V_{CC}$	50 pF	500 $\Omega$	0.3 V
$2.5\text{ V} \pm 0.2\text{ V}$	$V_{CC}$	$\leq 2\text{ ns}$	$V_{CC}/2$	$2 \times V_{CC}$	50 pF	500 $\Omega$	0.3 V
$3.3\text{ V} \pm 0.3\text{ V}$	$V_{CC}$	$\leq 2.5\text{ ns}$	$V_{CC}/2$	$2 \times V_{CC}$	50 pF	500 $\Omega$	0.3 V
$5\text{ V} \pm 0.5\text{ V}$	$V_{CC}$	$\leq 2.5\text{ ns}$	$V_{CC}/2$	$2 \times V_{CC}$	50 pF	500 $\Omega$	0.3 V



- NOTES: A.  $C_L$  includes probe and jig capacitance.  
 B. Waveform 1 is for an output with internal conditions such that the output is low, except when disabled by the output control. Waveform 2 is for an output with internal conditions such that the output is high, except when disabled by the output control.  
 C. All input pulses are supplied by generators having the following characteristics: PRR  $\leq$  10 MHz,  $Z_o = 50\ \Omega$ .  
 D. The outputs are measured one at a time, with one transition per measurement.  
 E.  $t_{PLZ}$  and  $t_{PHZ}$  are the same as  $t_{dis}$ .  
 F.  $t_{PZL}$  and  $t_{PZH}$  are the same as  $t_{on}$ .  
 G.  $t_{PLH}$  and  $t_{PHL}$  are the same as  $t_{pd}$ .  
 H. All parameters and waveforms are not applicable to all devices.

Figure 5. Load Circuit and Voltage Waveforms

**Parameter Measurement Information (continued)**

**Figure 6. Frequency Response (Switch On)**

**Figure 7. Crosstalk (Between Switches)**

Parameter Measurement Information (continued)

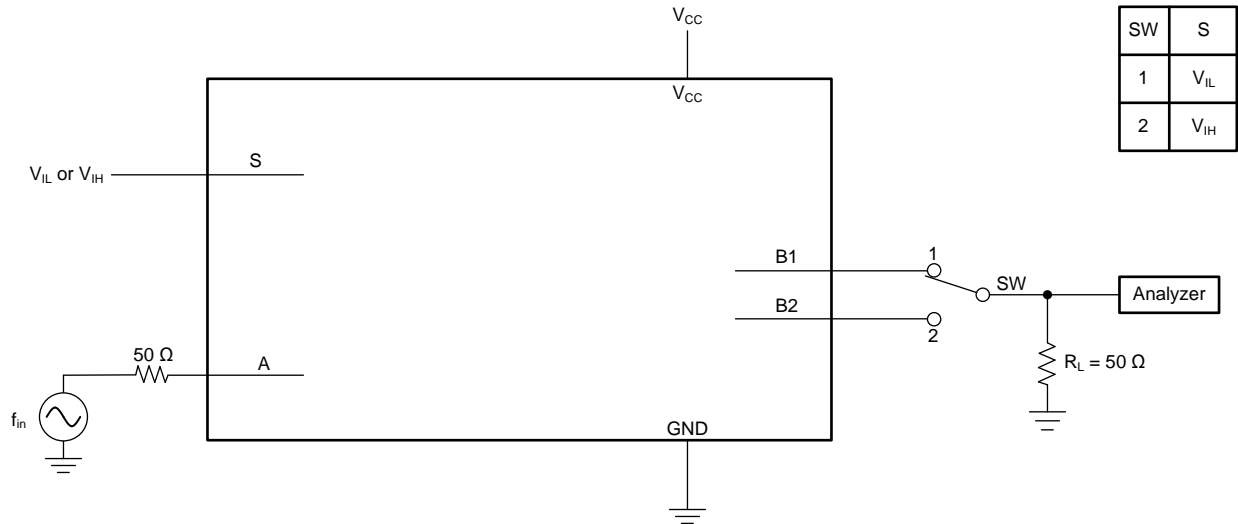


Figure 8. Feed Through

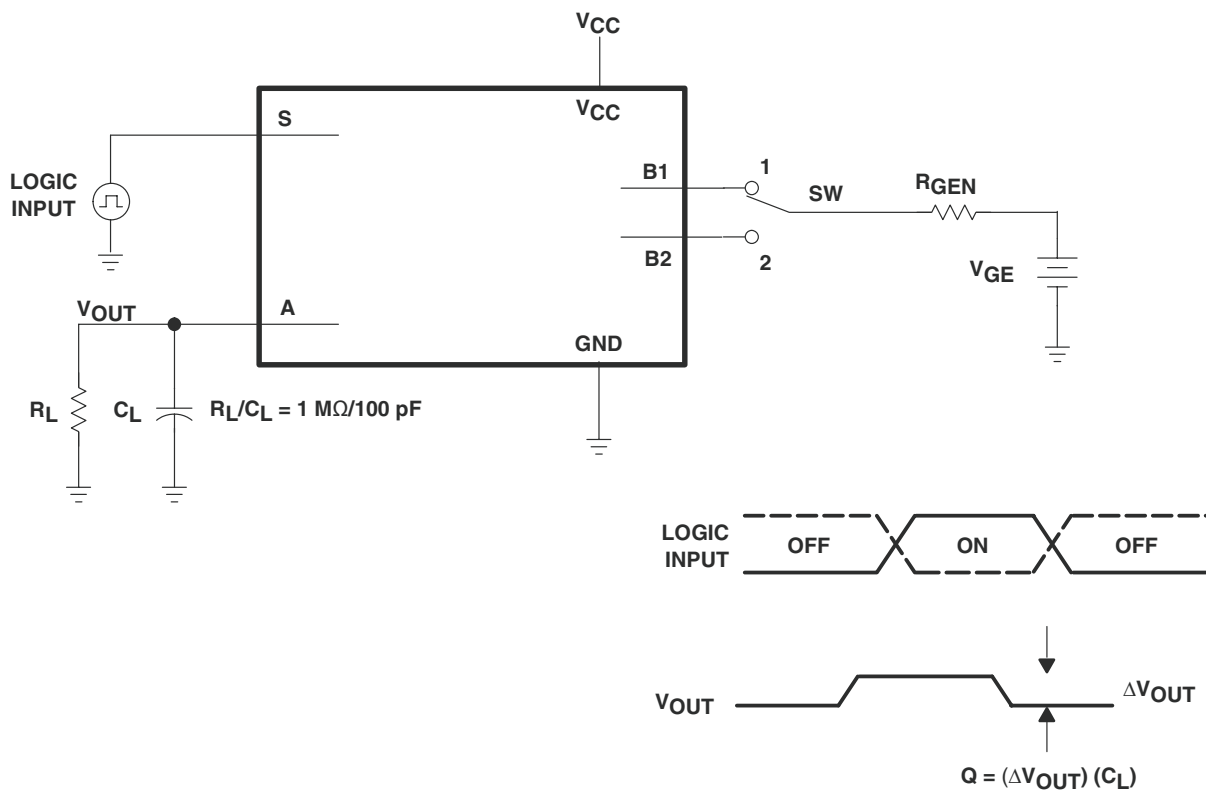
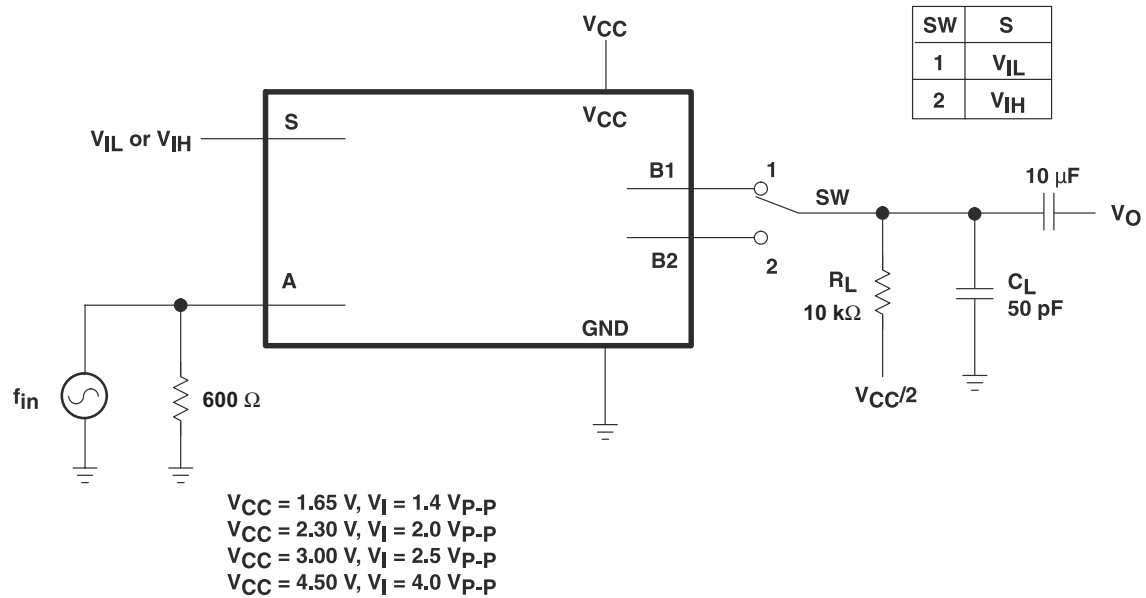
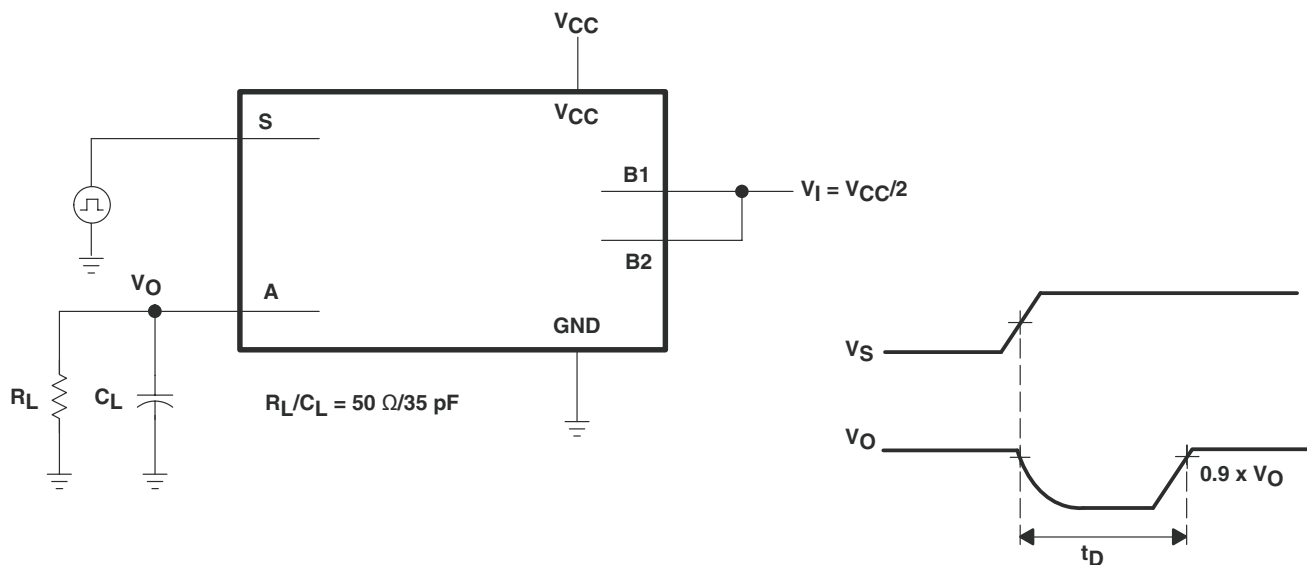


Figure 9. Charge-Injection Test

**Parameter Measurement Information (continued)**

**Figure 10. Total Harmonic Distortion**

**Figure 11. Break-Before-Make Internal Timing**

## 8 Detailed Description

### 8.1 Overview

The SN74LVC1G3157 device is a single-pole double-throw (SPDT) analog switch designed for 1.65-V to 5.5-V  $V_{CC}$  operation. The SN74LVC1G3157 device can handle analog and digital signals. The device permits signals with amplitudes of up to  $V_{CC}$  (peak) to be transmitted in either direction.

### 8.2 Functional Block Diagram

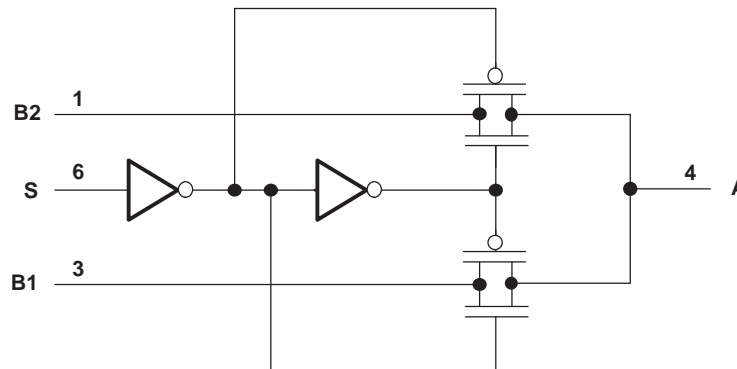


Figure 12. Logic Diagram (Positive Logic)

### 8.3 Feature Description

The 1.65-V to 5.5-V supply operation allows the device to function in many different systems comprised of different logic levels, allowing rail-to-rail signal switching. Either the B1 channel or the B2 channel is activated depending upon the control input. If the control input is low, B1 channel is selected. If the control input is high, B2 channel is selected.

### 8.4 Device Functional Modes

Table 1 lists the ON channel when one of the control inputs is selected.

Table 1. Function Table

CONTROL INPUTS	ON CHANNEL
L	B1
H	B2

## 9 Application and Implementation

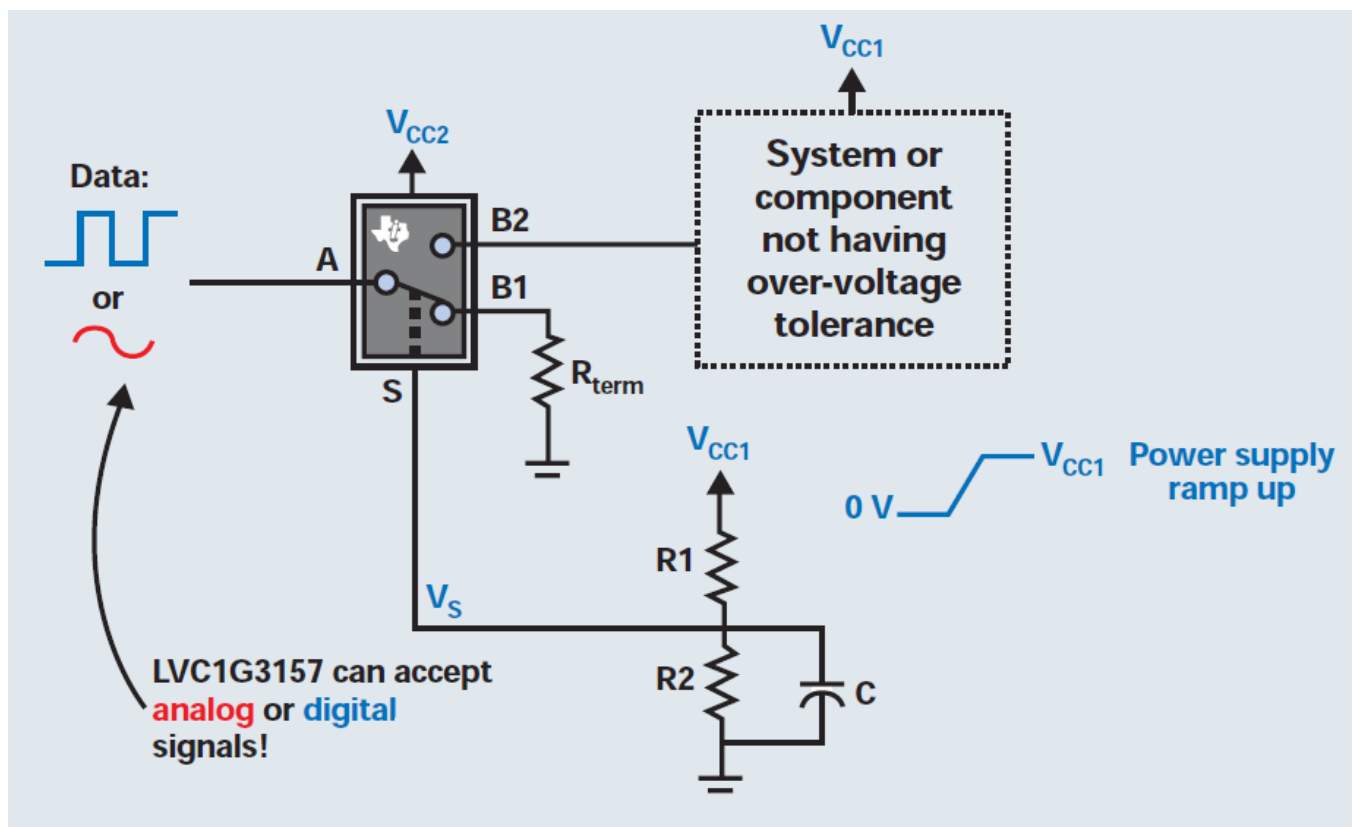
### NOTE

Information in the following applications sections is not part of the TI component specification, and TI does not warrant its accuracy or completeness. TI's customers are responsible for determining suitability of components for their purposes. Customers should validate and test their design implementation to confirm system functionality.

### 9.1 Application Information

The SN74LVC1G3157 SPDT analog switch is flexible enough for use in a variety of circuits such as analog audio routing, power-up monitor, memory sharing, and so on. For details on the applications, see [SCYB014](#).

### 9.2 Typical Application



**Figure 13. Typical Application Schematic**

#### 9.2.1 Design Requirements

The inputs can be analog or digital, but TI recommends waiting until  $V_{CC}$  has ramped to a level in *Recommended Operating Conditions* before applying any signals. Appropriate termination resistors should be used depending on the type of signal and specification. The Select pin should not be left floating; either pull up or pull down with a resistor that can be overdriven by a GPIO.



## Typical Application (continued)

### 9.2.2 Detailed Design Procedure

Using this circuit idea, a system designer can ensure a component or subsystem power has ramped up before allowing signals to be applied to its input. This is useful for integrated circuits that do not have overvoltage tolerant inputs. The basic idea uses a resistor divider on the VCC1 power rail, which is ramping up. The RC time constant of the resistor divider further delays the voltage ramp on the select pin of the SPDT bus switch. By carefully selecting values for R1, R2, and C, it is possible to ensure that VCC1 will reach its nominal value before the path from A to B2 is established, thus preventing a signal being present on an I/O before the device/system is powered up. To ensure the minimum desired delay is achieved, the designer should use Equation 1 to calculate the time required from a transition from ground (0 V) to half the supply voltage (VCC1/2).

$$\text{Set } \left( \frac{R2}{R1 + R2} \times V_{CC1} > V_{IH} \right) \text{ of the select pin} \quad (1)$$

Choose Rs and C to achieve the desired delay.

When Vs goes high, the signal will be passed.

### 9.2.3 Application Curve

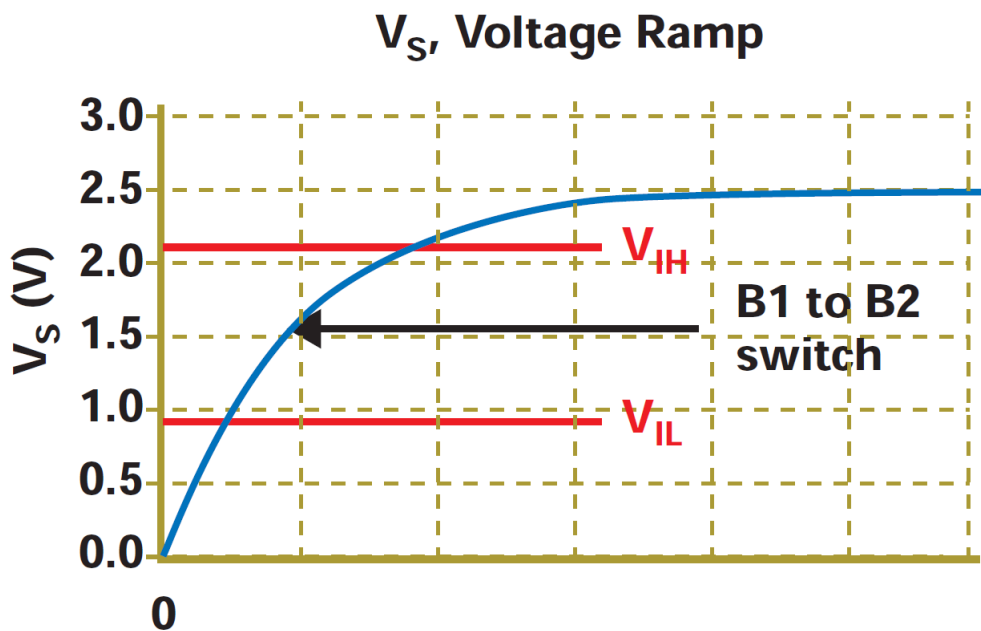


Figure 14. V<sub>S</sub> Voltage Ramp

## 10 Power Supply Recommendations

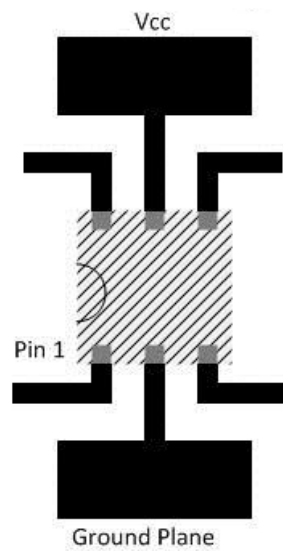
Most systems have a common 3.3-V or 5-V rail that can supply the  $V_{CC}$  pin of this device. If this is not available, a Switch-Mode-Power-Supply (SMPS) or a Linear Dropout Regulator (LDO) can be used to provide supply to this device from another voltage rail.

## 11 Layout

### 11.1 Layout Guidelines

TI recommends keeping signal lines as short as possible. TI also recommends incorporating microstrip or stripline techniques when signal lines are greater than 1 inch in length. These traces must be designed with a characteristic impedance of either  $50\ \Omega$  or  $75\ \Omega$ , as required by the application. Do not place this device too close to high-voltage switching components, as they may interfere with the device.

### 11.2 Layout Example



**Figure 15. Recommended Layout Example**

## 12 Device and Documentation Support

### 12.1 Documentation Support

#### 12.1.1 Related Documentation

For related documentation see the following:

- [Implications of Slow or Floating CMOS Inputs](#), SCBA004.
- [SN74LVC1G3157 and SN74LVC2G53 SPDT Analog Switches](#), SCYB014

### 12.2 Receiving Notification of Documentation Updates

To receive notification of documentation updates, navigate to the device product folder on ti.com. In the upper right corner, click on Alert me to register and receive a weekly digest of any product information that has changed. For change details, review the revision history included in any revised document.

### 12.3 Community Resources

The following links connect to TI community resources. Linked contents are provided "AS IS" by the respective contributors. They do not constitute TI specifications and do not necessarily reflect TI's views; see TI's [Terms of Use](#).

**TI E2E™ Online Community** *TI's Engineer-to-Engineer (E2E) Community*. Created to foster collaboration among engineers. At e2e.ti.com, you can ask questions, share knowledge, explore ideas and help solve problems with fellow engineers.

**Design Support** *TI's Design Support* Quickly find helpful E2E forums along with design support tools and contact information for technical support.

### 12.4 Trademarks

E2E is a trademark of Texas Instruments.  
All other trademarks are the property of their respective owners.

### 12.5 Electrostatic Discharge Caution



These devices have limited built-in ESD protection. The leads should be shorted together or the device placed in conductive foam during storage or handling to prevent electrostatic damage to the MOS gates.

### 12.6 Glossary

[SLYZ022](#) — *TI Glossary*.

This glossary lists and explains terms, acronyms, and definitions.

## 13 Mechanical, Packaging, and Orderable Information

The following pages include mechanical, packaging, and orderable information. This information is the most current data available for the designated devices. This data is subject to change without notice and revision of this document. For browser-based versions of this data sheet, refer to the left-hand navigation.

**PACKAGING INFORMATION**

Orderable Device	Status (1)	Package Type	Package Drawing	Pins	Package Qty	Eco Plan (2)	Lead/Ball Finish (6)	MSL Peak Temp (3)	Op Temp (°C)	Device Marking (4/5)	Samples
74LVC1G3157DBVRE4	ACTIVE	SOT-23	DBV	6	3000	Green (RoHS & no Sb/Br)	CU NIPDAU	Level-1-260C-UNLIM	-40 to 85	(CC5F, CC5R)	<a href="#">Samples</a>
74LVC1G3157DBVRG4	ACTIVE	SOT-23	DBV	6	3000	Green (RoHS & no Sb/Br)	CU NIPDAU	Level-1-260C-UNLIM	-40 to 85	(CC5F, CC5R)	<a href="#">Samples</a>
74LVC1G3157DCKRE4	ACTIVE	SC70	DCK	6	3000	Green (RoHS & no Sb/Br)	CU NIPDAU	Level-1-260C-UNLIM	-40 to 125	(C55, C5F, C5K, C5R)	<a href="#">Samples</a>
74LVC1G3157DCKRG4	ACTIVE	SC70	DCK	6	3000	Green (RoHS & no Sb/Br)	CU NIPDAU	Level-1-260C-UNLIM	-40 to 125	(C55, C5F, C5K, C5R)	<a href="#">Samples</a>
74LVC1G3157DRYRG4	ACTIVE	SON	DRY	6	5000	Green (RoHS & no Sb/Br)	CU NIPDAU	Level-1-260C-UNLIM	-40 to 125	C5	<a href="#">Samples</a>
SN74LVC1G3157DBVR	ACTIVE	SOT-23	DBV	6	3000	Green (RoHS & no Sb/Br)	CU NIPDAU   CU SN	Level-1-260C-UNLIM	-40 to 125	(CC55, CC5F, CC5K, CC5R)	<a href="#">Samples</a>
SN74LVC1G3157DCK3	ACTIVE	SC70	DCK	6	3000	Pb-Free (RoHS)	CU SNBI	Level-1-260C-UNLIM	-40 to 125	C5Z	<a href="#">Samples</a>
SN74LVC1G3157DCKR	ACTIVE	SC70	DCK	6	3000	Green (RoHS & no Sb/Br)	CU NIPDAU	Level-1-260C-UNLIM	-40 to 125	(C55, C5F, C5K, C5R)	<a href="#">Samples</a>
SN74LVC1G3157DRLR	ACTIVE	SOT-5X3	DRL	6	4000	Green (RoHS & no Sb/Br)	CU NIPDAU	Level-1-260C-UNLIM	-40 to 125	(C57, C5R)	<a href="#">Samples</a>
SN74LVC1G3157DRY2	ACTIVE	SON	DRY	6	5000	Green (RoHS & no Sb/Br)	CU NIPDAU	Level-1-260C-UNLIM	-40 to 125	C5	<a href="#">Samples</a>
SN74LVC1G3157DRYR	ACTIVE	SON	DRY	6	5000	Green (RoHS & no Sb/Br)	CU NIPDAU	Level-1-260C-UNLIM	-40 to 125	C5	<a href="#">Samples</a>
SN74LVC1G3157DSFR	ACTIVE	SON	DSF	6	5000	Green (RoHS & no Sb/Br)	CU NIPDAU   CU NIPDAUAG	Level-1-260C-UNLIM	-40 to 125	C5	<a href="#">Samples</a>
SN74LVC1G3157DTBR	ACTIVE	X2SON	DTB	6	3000	Green (RoHS & no Sb/Br)	CU NIPDAU	Level-1-260C-UNLIM	-40 to 125	7X	<a href="#">Samples</a>
SN74LVC1G3157YZPR	ACTIVE	DSBGA	YZP	6	3000	Green (RoHS & no Sb/Br)	SNAGCU	Level-1-260C-UNLIM	-40 to 85	C5N	<a href="#">Samples</a>

(1) The marketing status values are defined as follows:

**ACTIVE:** Product device recommended for new designs.

**LIFEBUY:** TI has announced that the device will be discontinued, and a lifetime-buy period is in effect.

**NRND:** Not recommended for new designs. Device is in production to support existing customers, but TI does not recommend using this part in a new design.

**PREVIEW:** Device has been announced but is not in production. Samples may or may not be available.

**OBSOLETE:** TI has discontinued the production of the device.

<sup>(2)</sup> **RoHS:** TI defines "RoHS" to mean semiconductor products that are compliant with the current EU RoHS requirements for all 10 RoHS substances, including the requirement that RoHS substance do not exceed 0.1% by weight in homogeneous materials. Where designed to be soldered at high temperatures, "RoHS" products are suitable for use in specified lead-free processes. TI may reference these types of products as "Pb-Free".

**RoHS Exempt:** TI defines "RoHS Exempt" to mean products that contain lead but are compliant with EU RoHS pursuant to a specific EU RoHS exemption.

**Green:** TI defines "Green" to mean the content of Chlorine (Cl) and Bromine (Br) based flame retardants meet JS709B low halogen requirements of <=1000ppm threshold. Antimony trioxide based flame retardants must also meet the <=1000ppm threshold requirement.

<sup>(3)</sup> **MSL, Peak Temp.** - The Moisture Sensitivity Level rating according to the JEDEC industry standard classifications, and peak solder temperature.

<sup>(4)</sup> There may be additional marking, which relates to the logo, the lot trace code information, or the environmental category on the device.

<sup>(5)</sup> Multiple Device Markings will be inside parentheses. Only one Device Marking contained in parentheses and separated by a "-" will appear on a device. If a line is indented then it is a continuation of the previous line and the two combined represent the entire Device Marking for that device.

<sup>(6)</sup> **Lead/Ball Finish** - Orderable Devices may have multiple material finish options. Finish options are separated by a vertical ruled line. Lead/Ball Finish values may wrap to two lines if the finish value exceeds the maximum column width.

**Important Information and Disclaimer:**The information provided on this page represents TI's knowledge and belief as of the date that it is provided. TI bases its knowledge and belief on information provided by third parties, and makes no representation or warranty as to the accuracy of such information. Efforts are underway to better integrate information from third parties. TI has taken and continues to take reasonable steps to provide representative and accurate information but may not have conducted destructive testing or chemical analysis on incoming materials and chemicals. TI and TI suppliers consider certain information to be proprietary, and thus CAS numbers and other limited information may not be available for release.

In no event shall TI's liability arising out of such information exceed the total purchase price of the TI part(s) at issue in this document sold by TI to Customer on an annual basis.

**OTHER QUALIFIED VERSIONS OF SN74LVC1G3157 :**

- Automotive: [SN74LVC1G3157-Q1](#)

NOTE: Qualified Version Definitions:

- Automotive - Q100 devices qualified for high-reliability automotive applications targeting zero defects

## TAPE AND REEL INFORMATION



### QUADRANT ASSIGNMENTS FOR PIN 1 ORIENTATION IN TAPE



\*All dimensions are nominal

Device	Package Type	Package Drawing	Pins	SPQ	Reel Diameter (mm)	Reel Width W1 (mm)	A0 (mm)	B0 (mm)	K0 (mm)	P1 (mm)	W (mm)	Pin1 Quadrant
74LVC1G3157DBVRG4	SOT-23	DBV	6	3000	178.0	9.0	3.23	3.17	1.37	4.0	8.0	Q3
SN74LVC1G3157DBVR	SOT-23	DBV	6	3000	178.0	9.0	3.23	3.17	1.37	4.0	8.0	Q3
SN74LVC1G3157DBVR	SOT-23	DBV	6	3000	180.0	8.4	3.23	3.17	1.37	4.0	8.0	Q3
SN74LVC1G3157DBVR	SOT-23	DBV	6	3000	178.0	9.2	3.3	3.23	1.55	4.0	8.0	Q3
SN74LVC1G3157DCKR	SC70	DCK	6	3000	178.0	9.2	2.4	2.4	1.22	4.0	8.0	Q3
SN74LVC1G3157DCKR	SC70	DCK	6	3000	180.0	9.2	2.3	2.55	1.2	4.0	8.0	Q3
SN74LVC1G3157DRLR	SOT-5X3	DRL	6	4000	180.0	8.4	1.98	1.78	0.69	4.0	8.0	Q3
SN74LVC1G3157DRLR	SOT-5X3	DRL	6	4000	180.0	9.5	1.78	1.78	0.69	4.0	8.0	Q3
SN74LVC1G3157DRY2	SON	DRY	6	5000	180.0	8.4	1.65	1.2	0.7	4.0	8.0	Q3
SN74LVC1G3157DRY2	SON	DRY	6	5000	180.0	9.5	1.6	1.15	0.75	4.0	8.0	Q3
SN74LVC1G3157DRYR	SON	DRY	6	5000	179.0	8.4	1.2	1.65	0.7	4.0	8.0	Q1
SN74LVC1G3157DSFR	SON	DSF	6	5000	180.0	9.5	1.16	1.16	0.5	4.0	8.0	Q2
SN74LVC1G3157DTBR	X2SON	DTB	6	3000	180.0	9.5	0.94	1.13	0.41	2.0	8.0	Q2
SN74LVC1G3157YZPR	DSBGA	YZP	6	3000	178.0	9.2	1.02	1.52	0.63	4.0	8.0	Q1

**TAPE AND REEL BOX DIMENSIONS**


\*All dimensions are nominal

Device	Package Type	Package Drawing	Pins	SPQ	Length (mm)	Width (mm)	Height (mm)
74LVC1G3157DBVRG4	SOT-23	DBV	6	3000	180.0	180.0	18.0
SN74LVC1G3157DBVR	SOT-23	DBV	6	3000	180.0	180.0	18.0
SN74LVC1G3157DBVR	SOT-23	DBV	6	3000	202.0	201.0	28.0
SN74LVC1G3157DBVR	SOT-23	DBV	6	3000	180.0	180.0	18.0
SN74LVC1G3157DCKR	SC70	DCK	6	3000	180.0	180.0	18.0
SN74LVC1G3157DCKR	SC70	DCK	6	3000	205.0	200.0	33.0
SN74LVC1G3157DRLR	SOT-5X3	DRL	6	4000	202.0	201.0	28.0
SN74LVC1G3157DRLR	SOT-5X3	DRL	6	4000	184.0	184.0	19.0
SN74LVC1G3157DRY2	SON	DRY	6	5000	202.0	201.0	28.0
SN74LVC1G3157DRY2	SON	DRY	6	5000	184.0	184.0	19.0
SN74LVC1G3157DRYR	SON	DRY	6	5000	203.0	203.0	35.0
SN74LVC1G3157DSFR	SON	DSF	6	5000	184.0	184.0	19.0
SN74LVC1G3157DTBR	X2SON	DTB	6	3000	189.0	185.0	36.0
SN74LVC1G3157YZPR	DSBGA	YZP	6	3000	220.0	220.0	35.0

# MECHANICAL DATA

DBV (R-PDSO-G6)

PLASTIC SMALL-OUTLINE PACKAGE

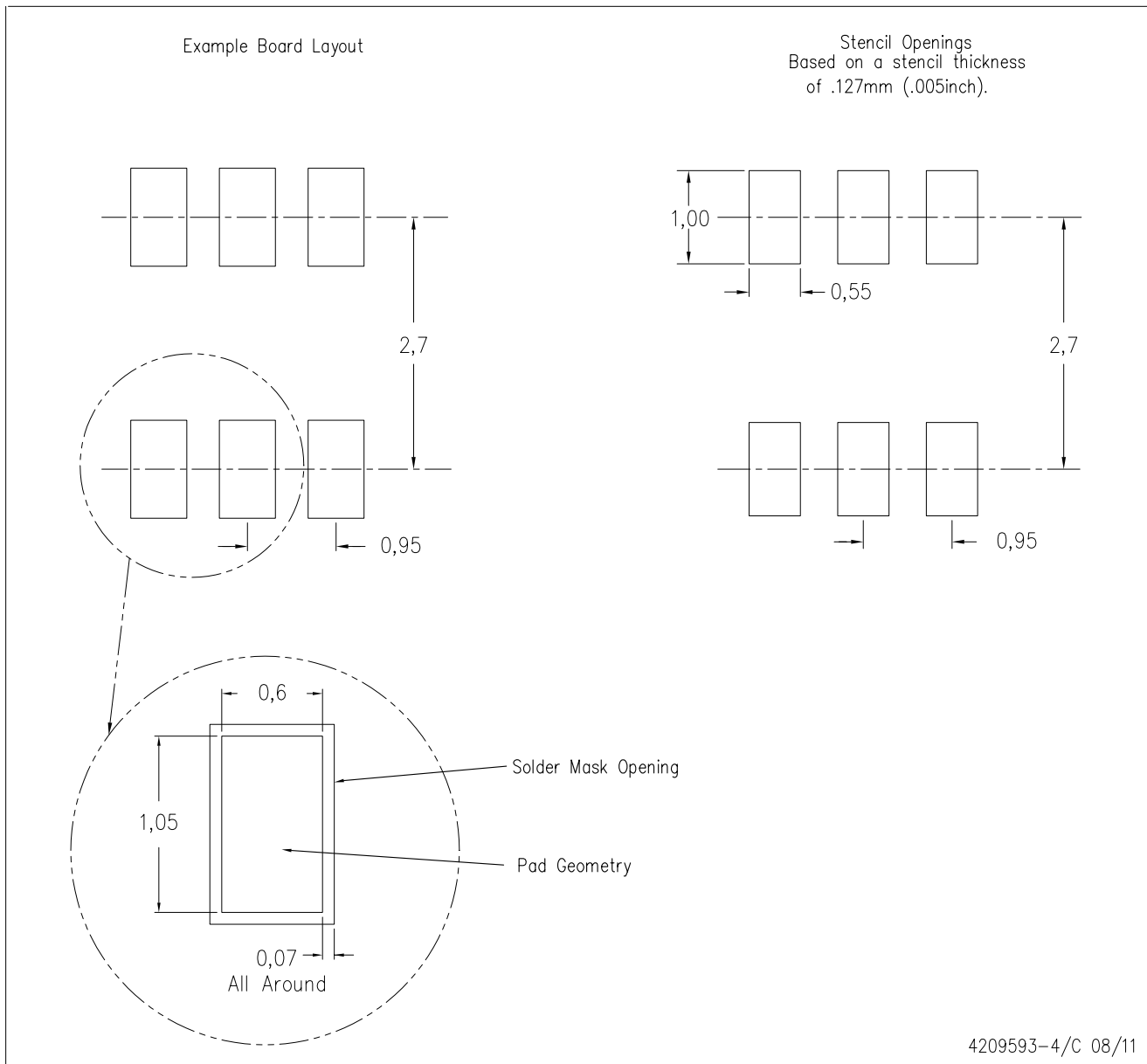


- NOTES:
- All linear dimensions are in millimeters.
  - This drawing is subject to change without notice.
  - Body dimensions do not include mold flash or protrusion. Mold flash and protrusion shall not exceed 0.15 per side.
  - Leads 1,2,3 may be wider than leads 4,5,6 for package orientation.
- ⚠ Falls within JEDEC MO-178 Variation AB, except minimum lead width.



DBV (R-PDSO-G6)

PLASTIC SMALL OUTLINE



- NOTES:
- A. All linear dimensions are in millimeters.
  - B. This drawing is subject to change without notice.
  - C. Customers should place a note on the circuit board fabrication drawing not to alter the center solder mask defined pad.
  - D. Publication IPC-7351 is recommended for alternate designs.
  - E. Laser cutting apertures with trapezoidal walls and also rounding corners will offer better paste release. Customers should contact their board assembly site for stencil design recommendations. Example stencil design based on a 50% volumetric metal load solder paste. Refer to IPC-7525 for other stencil recommendations.

DCK (R-PDSO-G6)

PLASTIC SMALL-OUTLINE PACKAGE



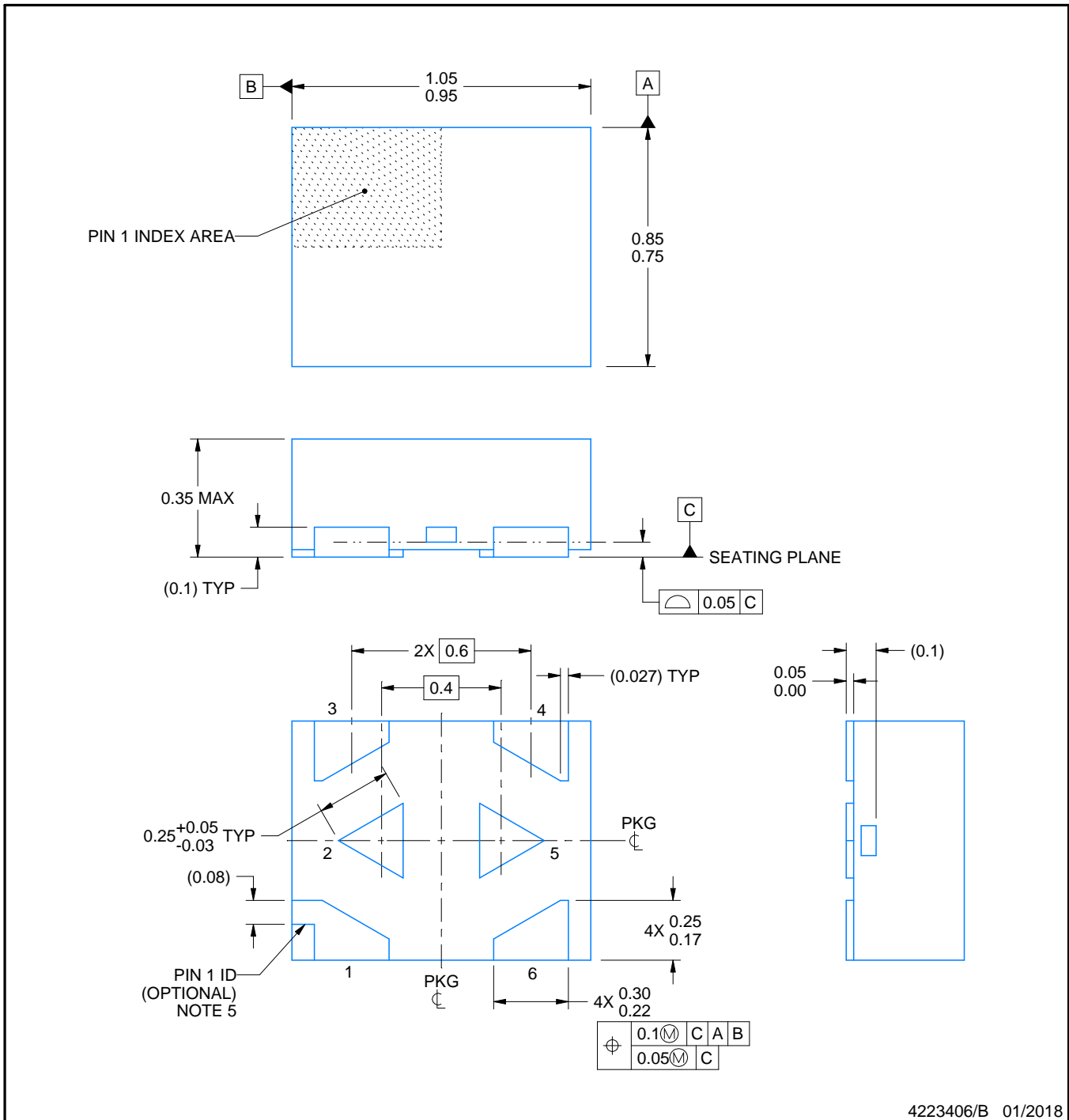
- NOTES:
- A. All linear dimensions are in millimeters.
  - B. This drawing is subject to change without notice.
  - C. Body dimensions do not include mold flash or protrusion. Mold flash and protrusion shall not exceed 0.15 per side.
  - D. Falls within JEDEC MO-203 variation AB.

DCK (R-PDSO-G6)

PLASTIC SMALL OUTLINE



- NOTES:
- All linear dimensions are in millimeters.
  - This drawing is subject to change without notice.
  - Customers should place a note on the circuit board fabrication drawing not to alter the center solder mask defined pad.
  - Publication IPC-7351 is recommended for alternate designs.
  - Laser cutting apertures with trapezoidal walls and also rounding corners will offer better paste release. Customers should contact their board assembly site for stencil design recommendations. Example stencil design based on a 50% volumetric metal load solder paste. Refer to IPC-7525 for other stencil recommendations.



NOTES:

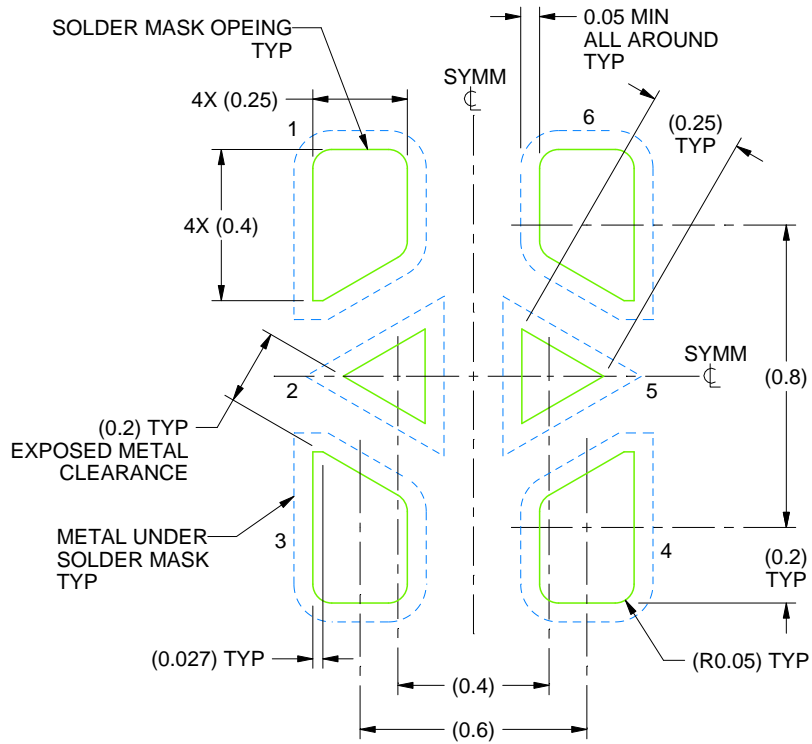
1. All linear dimensions are in millimeters. Any dimensions in parenthesis are for reference only. Dimensioning and tolerancing per ASME Y14.5M.
2. This drawing is subject to change without notice.
3. The package thermal pads must be soldered to the printed circuit board for optimal thermal and mechanical performance.
4. The size and shape of this feature may vary.
5. Features may not exist. Recommend use of pin 1 marking on top of package for orientation purposes.

# EXAMPLE BOARD LAYOUT

DTB0006A

X2SON - 0.35 mm max height

PLASTIC SMALL OUTLINE - NO LEAD



LAND PATTERN EXAMPLE  
SOLDER MASK DEFINED  
SCALE:50X

4223406/B 01/2018

NOTES: (continued)

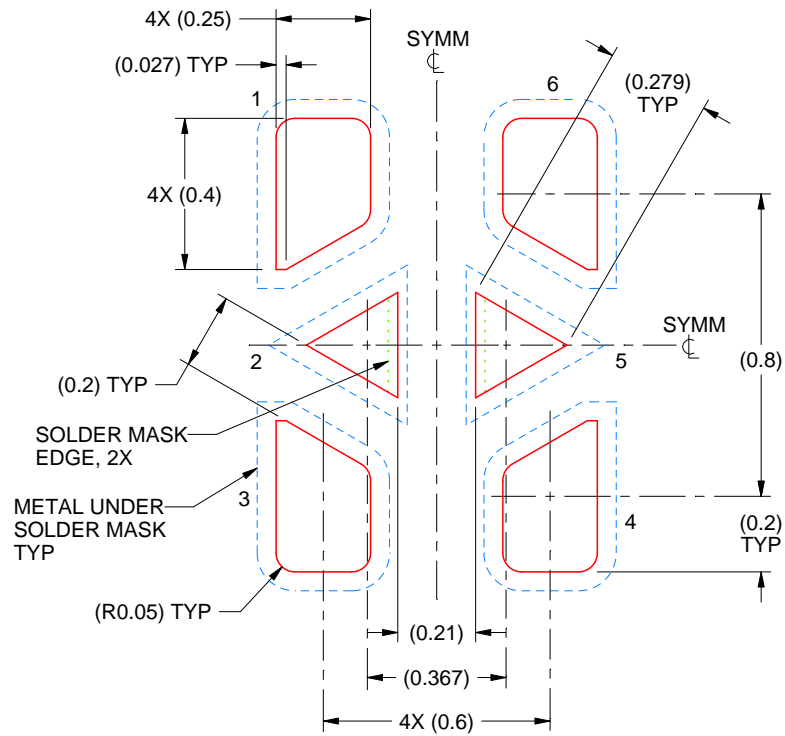
6. This package is designed to be soldered to a thermal pads on the board. For more information, see Texas Instruments literature number SLUA271 ([www.ti.com/lit/slue271](http://www.ti.com/lit/slue271)).
7. Vias are optional depending on application, refer to device data sheet. If some or all are implemented, recommended via locations are shown.

# EXAMPLE STENCIL DESIGN

DTB0006A

X2SON - 0.35 mm max height

PLASTIC SMALL OUTLINE - NO LEAD



SOLDER PASTE EXAMPLE  
BASED ON 0.07 mm THICK STENCIL

PRINTED SOLDER COVERAGE BY AREA UNDER PACKAGE  
SCALE:50X

4223406/B 01/2018

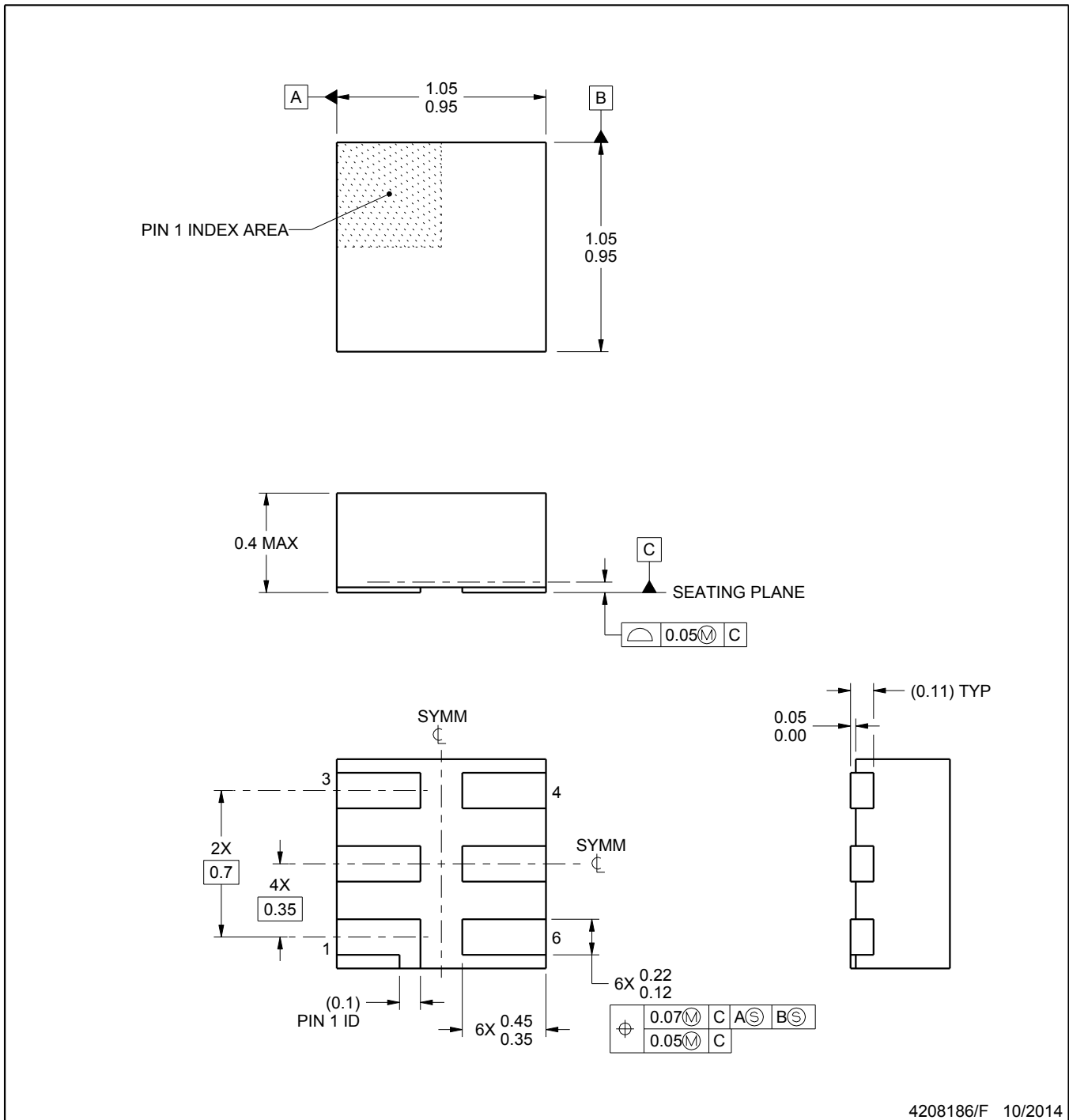
NOTES: (continued)

8. Laser cutting apertures with trapezoidal walls and rounded corners may offer better paste release. IPC-7525 may have alternate design recommendations.

# MECHANICAL DATA

DSF (S-PX2SON-N6)

PLASTIC SMALL OUTLINE NO-LEAD



4208186/F 10/2014

**NOTES:**

1. All linear dimensions are in millimeters. Any dimensions in parenthesis are for reference only. Dimensioning and tolerancing per ASME Y14.5M.
2. This drawing is subject to change without notice.
3. Reference JEDEC registration MO-287, variation X2AAF.

DSF (S-PX2SON-N6)

PLASTIC SMALL OUTLINE NO-LEAD

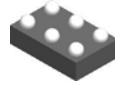


4210277/D 05/12

- NOTES:
- All linear dimensions are in millimeters.
  - This drawing is subject to change without notice.
  - Publication IPC-7351 is recommended for alternate designs.
  - Customers should contact their board fabrication site for minimum solder mask web tolerances between signal pads. If 2 mil solder mask is outside PCB vendor capability, it is advised to omit solder mask.
  - Maximum stencil thickness 0,1016 mm (4 mils). All linear dimensions are in millimeters.
  - Laser cutting apertures with trapezoidal walls and also rounding corners will offer better paste release. Customers should contact their board assembly site for stencil design recommendations. Refer to IPC 7525 for stencil design considerations.
  - Suggest stencils cut with lasers such as Fiber Laser that produce the greatest positional accuracy.
  - Component placement force should be minimized to prevent excessive paste block deformation.



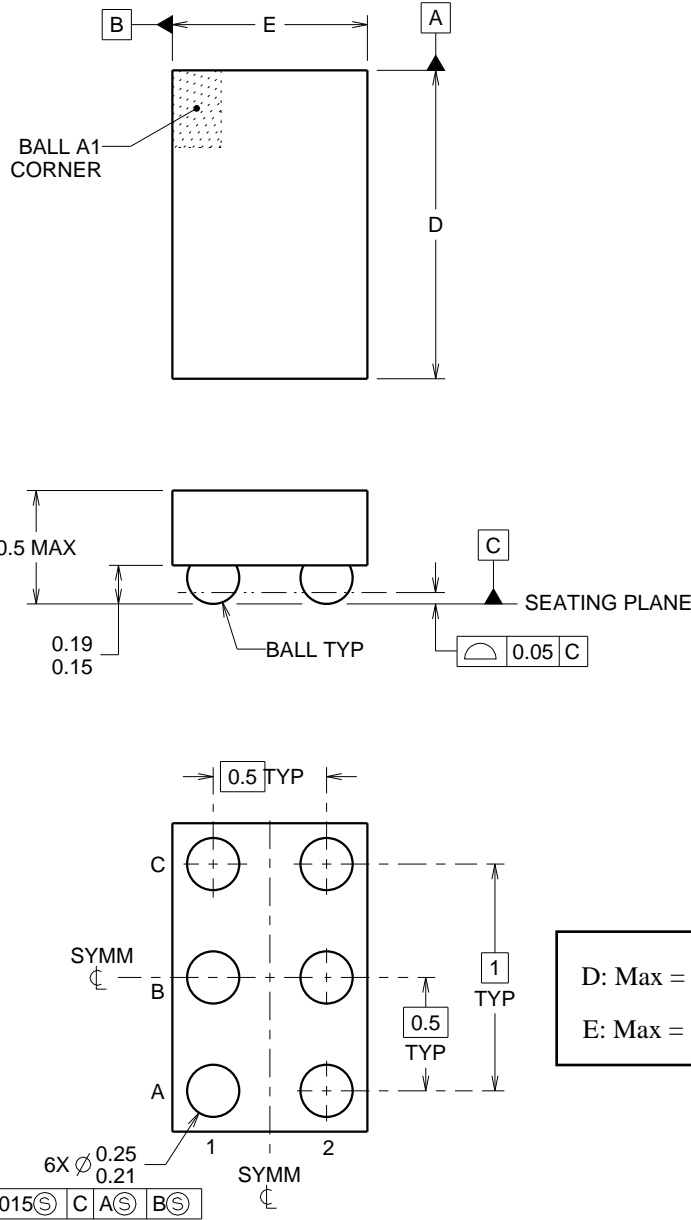
YZP0006



# PACKAGE OUTLINE

## DSBGA - 0.5 mm max height

DIE SIZE BALL GRID ARRAY



<p>D: Max = 1.418 mm, Min = 1.357 mm</p> <p>E: Max = 0.918 mm, Min = 0.857 mm</p>
---

4219524/A 06/2014

### NOTES:

NanoFree Is a trademark of Texas Instruments.

1. All linear dimensions are in millimeters. Any dimensions in parenthesis are for reference only. Dimensioning and tolerancing per ASME Y14.5M.
2. This drawing is subject to change without notice.
3. NanoFree™ package configuration.

# EXAMPLE BOARD LAYOUT

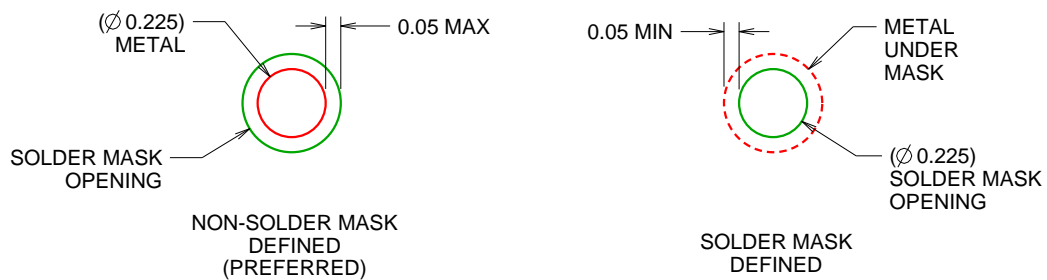
YZP0006

DSBGA - 0.5 mm max height

DIE SIZE BALL GRID ARRAY



LAND PATTERN EXAMPLE  
SCALE:40X



SOLDER MASK DETAILS  
NOT TO SCALE

4219524/A 06/2014

NOTES: (continued)

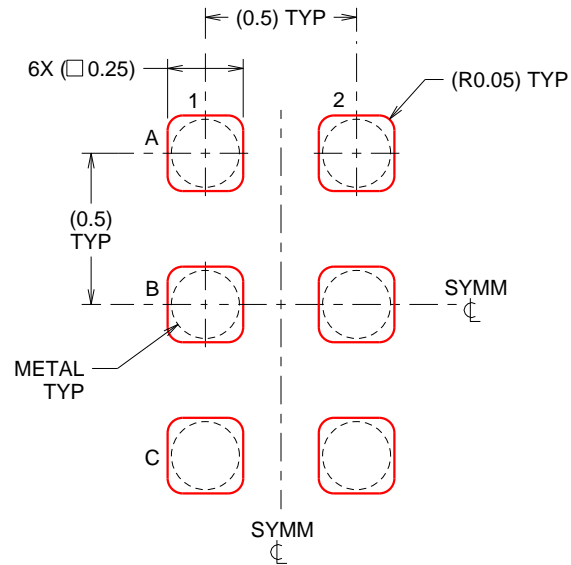
- Final dimensions may vary due to manufacturing tolerance considerations and also routing constraints. For more information, see Texas Instruments literature number SBVA017 ([www.ti.com/lit/sbva017](http://www.ti.com/lit/sbva017)).

# EXAMPLE STENCIL DESIGN

YZP0006

DSBGA - 0.5 mm max height

DIE SIZE BALL GRID ARRAY



SOLDER PASTE EXAMPLE  
BASED ON 0.1 mm THICK STENCIL  
SCALE:40X

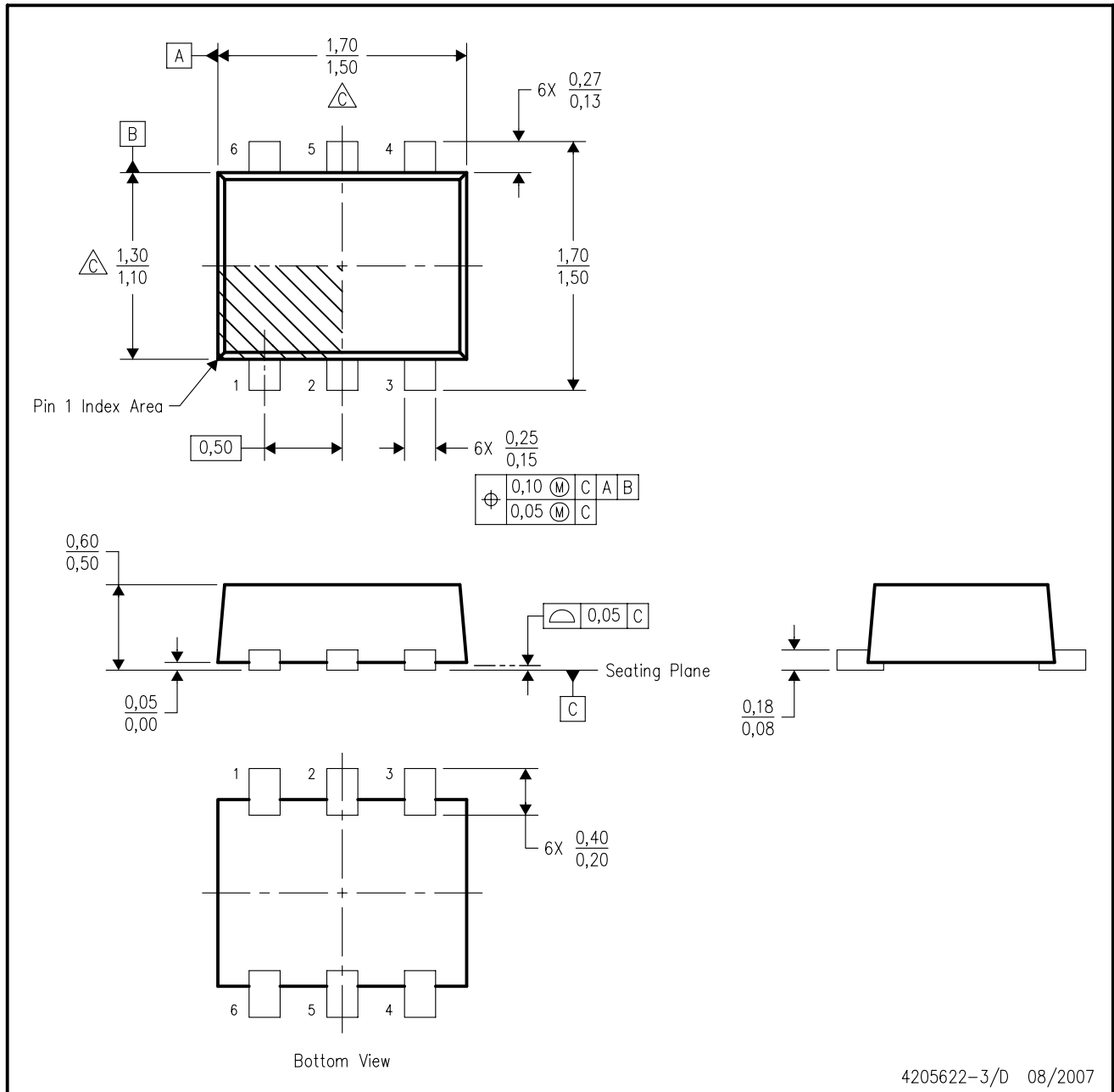
4219524/A 06/2014

NOTES: (continued)

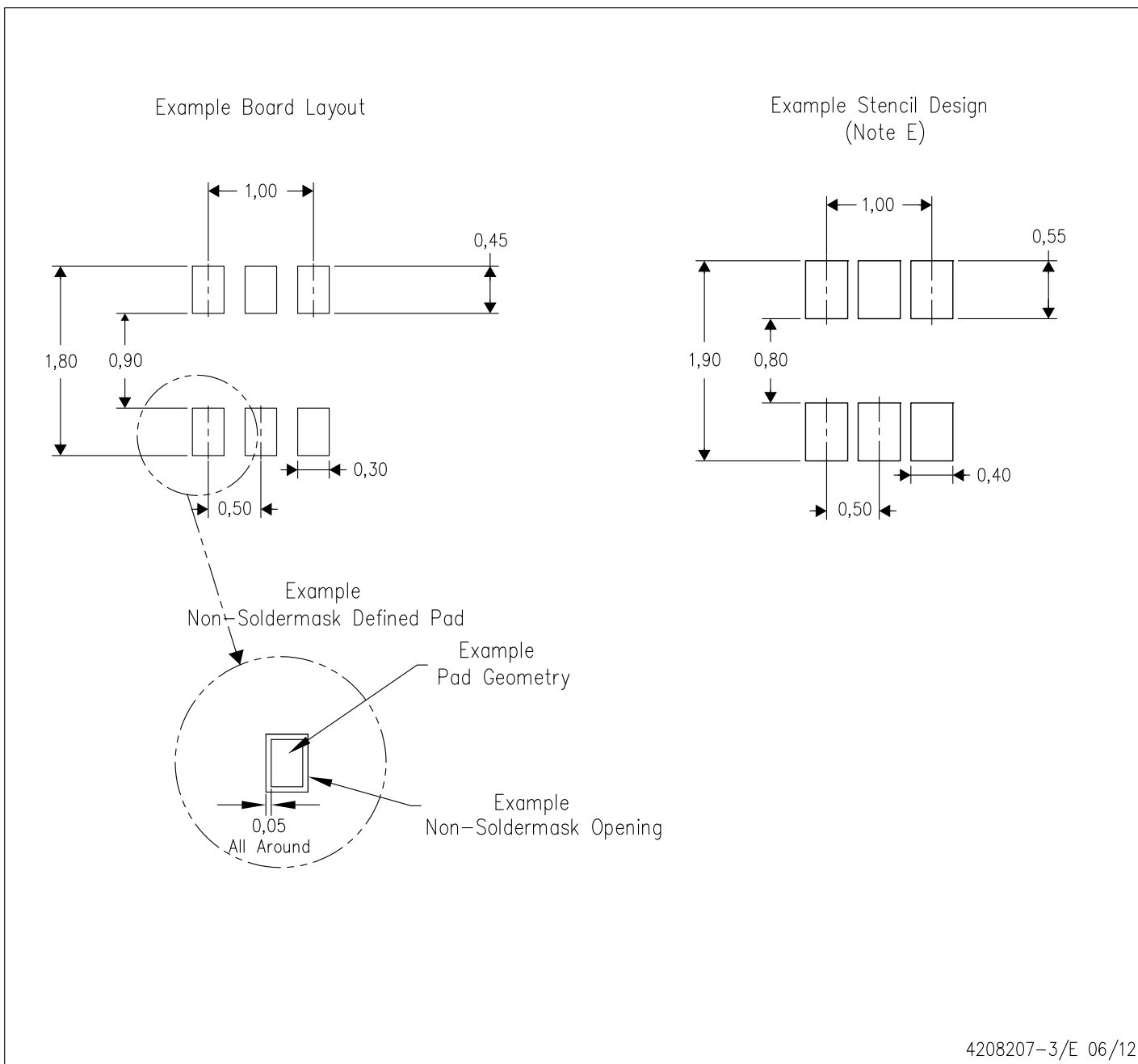
5. Laser cutting apertures with trapezoidal walls and rounded corners may offer better paste release.

DRL (R-PDSO-N6)

PLASTIC SMALL OUTLINE



- NOTES:
- A. All linear dimensions are in millimeters. Dimensioning and tolerancing per ASME Y14.5M-1994.
  - B. This drawing is subject to change without notice.
  - C. Body dimensions do not include mold flash, interlead flash, protrusions, or gate burrs. Mold flash, interlead flash, protrusions, or gate burrs shall not exceed 0,15 per end or side.
  - D. JEDEC package registration is pending.



- NOTES:
- All linear dimensions are in millimeters.
  - This drawing is subject to change without notice.
  - Publication IPC-7351 is recommended for alternate designs.
  - Customers should contact their board fabrication site for minimum solder mask web tolerances between signal pads.
  - Maximum stencil thickness 0,127 mm (5 mils). All linear dimensions are in millimeters.
  - Laser cutting apertures with trapezoidal walls and also rounding corners will offer better paste release. Customers should contact their board assembly site for stencil design recommendations. Refer to IPC 7525 for stencil design considerations.
  - Side aperture dimensions over-print land for acceptable area ratio > 0.66. Customer may reduce side aperture dimensions if stencil manufacturing process allows for sufficient release at smaller opening.

## GENERIC PACKAGE VIEW

**DRY 6**

**USON - 0.6 mm max height**

PLASTIC SMALL OUTLINE - NO LEAD



Images above are just a representation of the package family, actual package may vary.  
Refer to the product data sheet for package details.

4207181/G

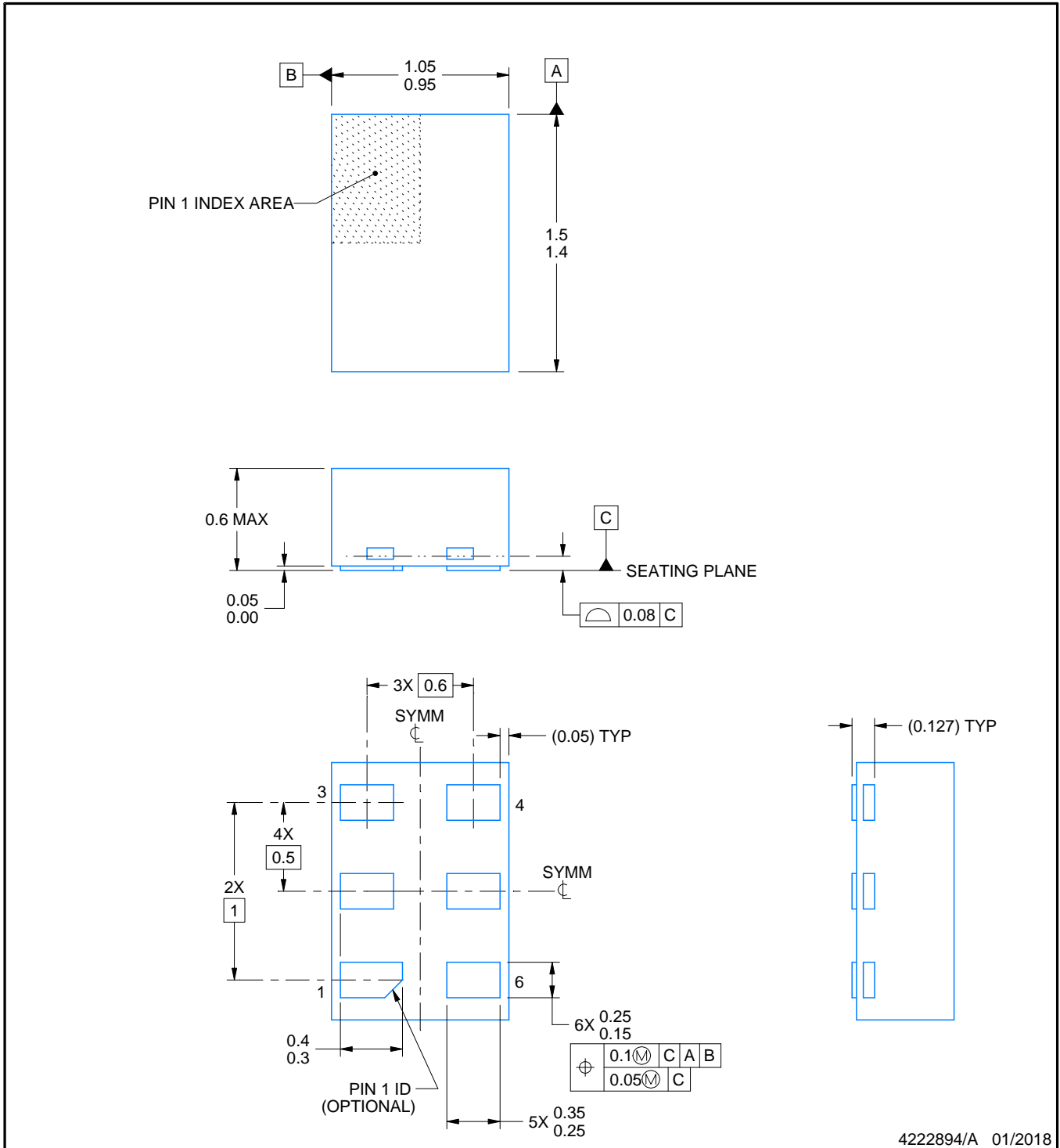
DRY0006A



# PACKAGE OUTLINE

USON - 0.6 mm max height

PLASTIC SMALL OUTLINE - NO LEAD



NOTES:

1. All linear dimensions are in millimeters. Any dimensions in parenthesis are for reference only. Dimensioning and tolerancing per ASME Y14.5M.
2. This drawing is subject to change without notice.

# EXAMPLE BOARD LAYOUT

DRY0006A

USON - 0.6 mm max height

PLASTIC SMALL OUTLINE - NO LEAD



**LAND PATTERN EXAMPLE**  
1:1 RATIO WITH PKG SOLDER PADS  
EXPOSED METAL SHOWN  
SCALE:40X



**SOLDER MASK DETAILS**

4222894/A 01/2018

NOTES: (continued)

3. For more information, see QFN/SON PCB application report in literature No. SLUA271 ([www.ti.com/lit/slue271](http://www.ti.com/lit/slue271)).



# EXAMPLE STENCIL DESIGN

DRY0006A

USON - 0.6 mm max height

PLASTIC SMALL OUTLINE - NO LEAD



SOLDER PASTE EXAMPLE  
BASED ON 0.075 - 0.1 mm THICK STENCIL  
SCALE:40X

4222894/A 01/2018

NOTES: (continued)

4. Laser cutting apertures with trapezoidal walls and rounded corners may offer better paste release. IPC-7525 may have alternate design recommendations.

## IMPORTANT NOTICE AND DISCLAIMER

TI PROVIDES TECHNICAL AND RELIABILITY DATA (INCLUDING DATASHEETS), DESIGN RESOURCES (INCLUDING REFERENCE DESIGNS), APPLICATION OR OTHER DESIGN ADVICE, WEB TOOLS, SAFETY INFORMATION, AND OTHER RESOURCES "AS IS" AND WITH ALL FAULTS, AND DISCLAIMS ALL WARRANTIES, EXPRESS AND IMPLIED, INCLUDING WITHOUT LIMITATION ANY IMPLIED WARRANTIES OF MERCHANTABILITY, FITNESS FOR A PARTICULAR PURPOSE OR NON-INFRINGEMENT OF THIRD PARTY INTELLECTUAL PROPERTY RIGHTS.

These resources are intended for skilled developers designing with TI products. You are solely responsible for (1) selecting the appropriate TI products for your application, (2) designing, validating and testing your application, and (3) ensuring your application meets applicable standards, and any other safety, security, or other requirements. These resources are subject to change without notice. TI grants you permission to use these resources only for development of an application that uses the TI products described in the resource. Other reproduction and display of these resources is prohibited. No license is granted to any other TI intellectual property right or to any third party intellectual property right. TI disclaims responsibility for, and you will fully indemnify TI and its representatives against, any claims, damages, costs, losses, and liabilities arising out of your use of these resources.

TI's products are provided subject to TI's Terms of Sale ([www.ti.com/legal/termsofsale.html](http://www.ti.com/legal/termsofsale.html)) or other applicable terms available either on [ti.com](http://ti.com) or provided in conjunction with such TI products. TI's provision of these resources does not expand or otherwise alter TI's applicable warranties or warranty disclaimers for TI products.

Mailing Address: Texas Instruments, Post Office Box 655303, Dallas, Texas 75265  
Copyright © 2018, Texas Instruments Incorporated