

Filter Inductance



RoHS



FEATURES

- High reliability
- Effective anti-interference
- Good temperature characteristic (-40°C~+115°C)

The filter Inductance is suitable for applications that are sensitive to noise, such as analog circuits , and the EMC level can be significantly improved by adding a product to the input/output of the power module.

Selection Guide

Type	Model	Inductance (uH)	Current (A)(max)	DCR(mΩ) (max)	Weight (g) (typ)	Size(mm) (L x W x H)
Common Mode Choke	FL2D-70-402	4000	7	20	40	31.00 x 31.00 x23.00 See Figure1
	FL2D-90-102	1000	9	10	34	32.50 x31.00 x 20.00 See Figure2
	FL2D-A0-101	100	10	5	15	28.00 x27.50 x 12.00 See Figure3
	FL2D-B0-201	200	20	8	31	29.00 x24.50 x 25.00 See Figure4

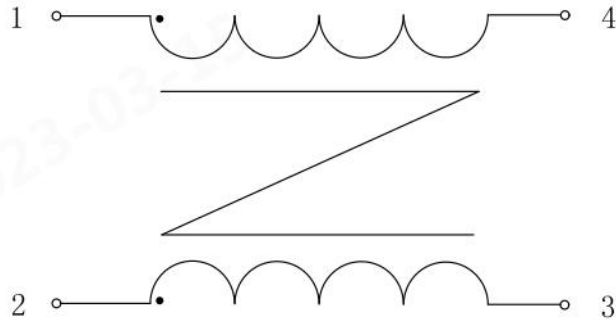
Note: *The inductance values above are tested at room temperature 25°C, FL2D-A0-101 in the table is a typical value, and other values are the minimum

General Specifications

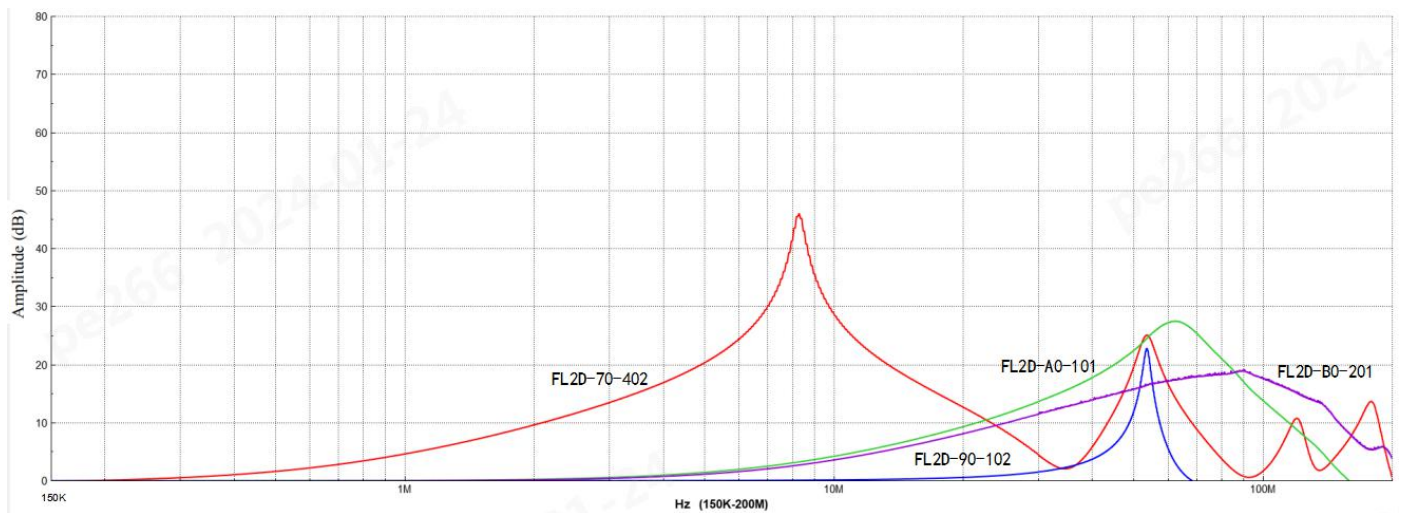
Item	Test Conditions	Min.	Typ.	Max.	Unit	
Operating Temperature *		-40	--	+115	°C	
Storage Temperature		-40	--	+105		
Storage Humidity	Non-Condensing	--	--	95	%	
Inductance	fo=10KHz, Uo=0.1V,T=25°C	FL2D-70-402	4000	--	--	uH
		FL2D-90-102	1000	--	--	
		FL2D-A0-101	65	100	135	
		FL2D-B0-201	200	--	--	
Isolation Voltage (COIL-COIL)	Electric strength test for 1 minute with a leakage current of 5mA max	--	--	1000	VAC	
Vibration		10~55Hz, 10g, X,Y,Z direction ,2mm				
Warranty	Ambient temperature: <40°C	3 years				

Note: *1.Operating Temperature range includes inductor self heating.

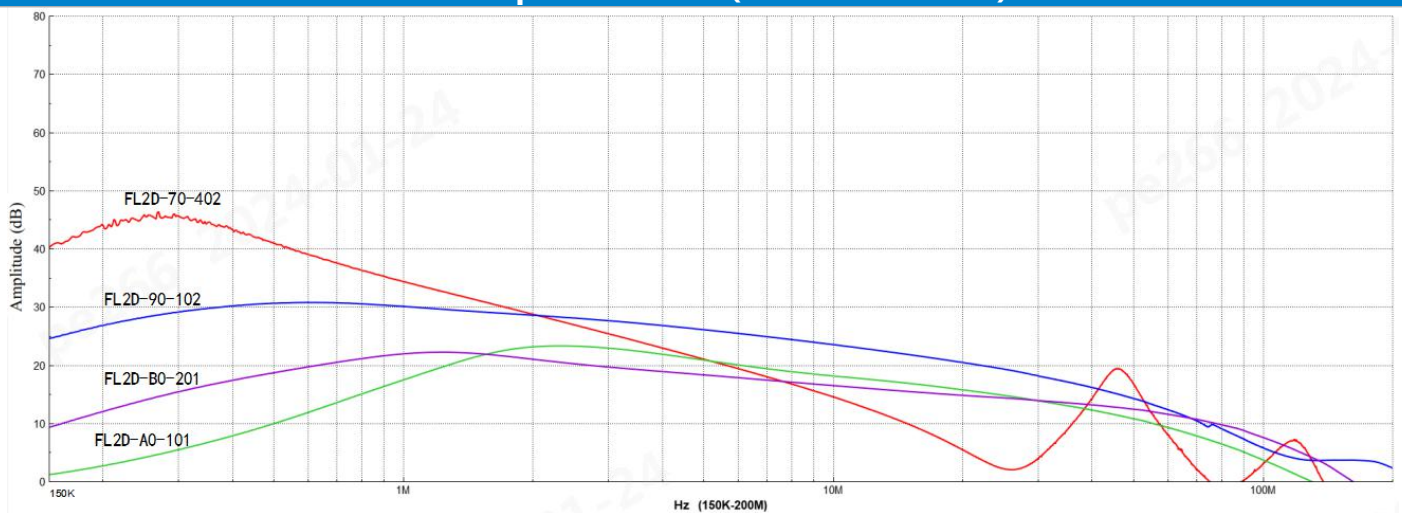
Schematic Diagram Of Pin Mark



Differential Mode Insertion Loss Specifications (reference value)



Common Mode Insertion Loss Specifications (reference value)



FL2D-70-402 Schematic Diagram Of Pin Mark

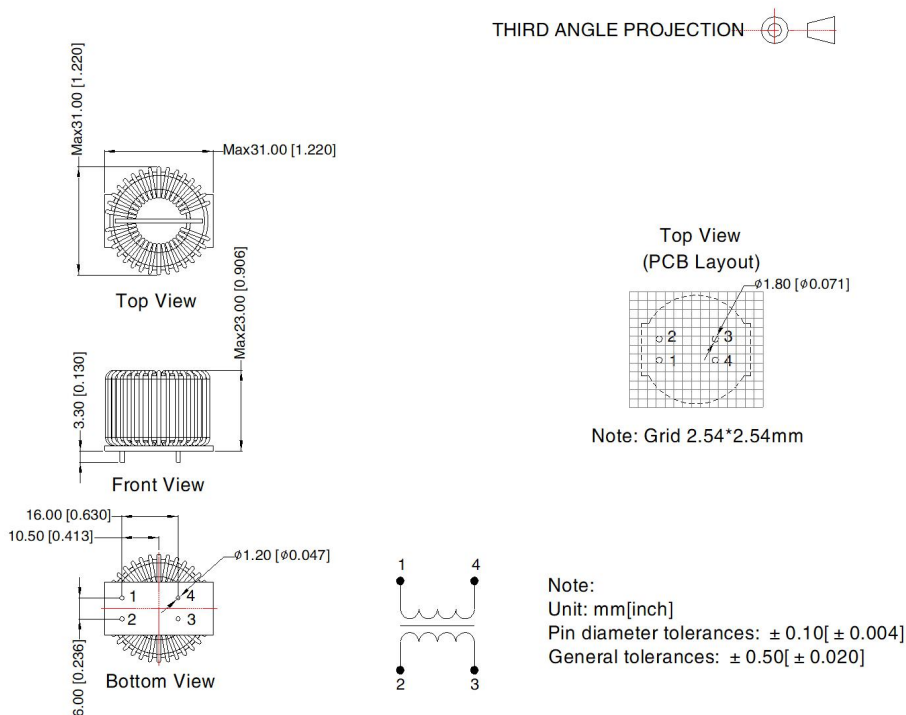


Fig. 1

FL2D-90-102 Schematic Diagram Of Pin Mark

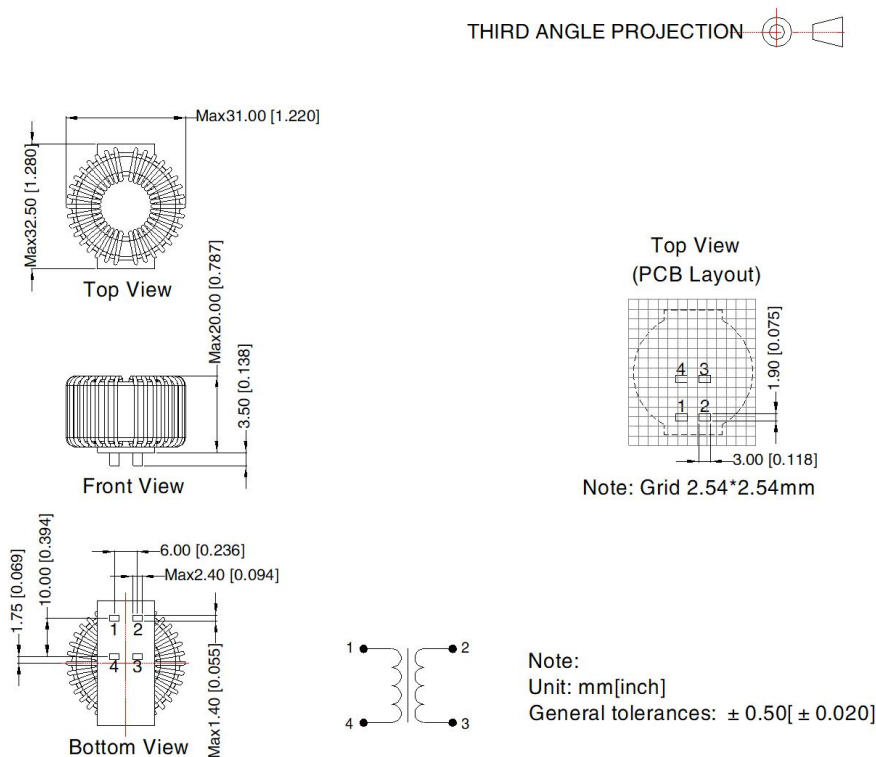


Fig. 2

FL2D-A0-101 Schematic Diagram Of Pin Mark

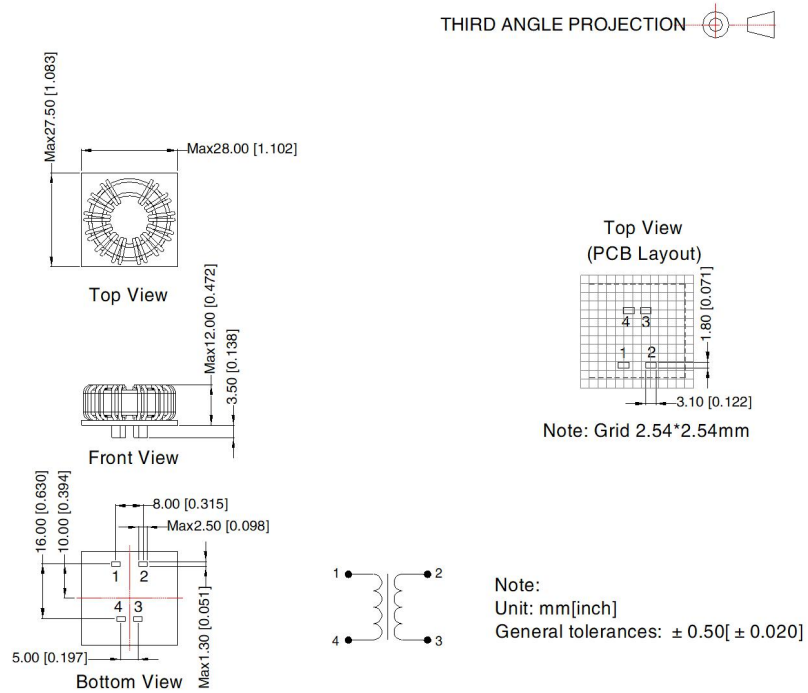


Fig. 3

FL2D-B0-201 Schematic Diagram Of Pin Mark

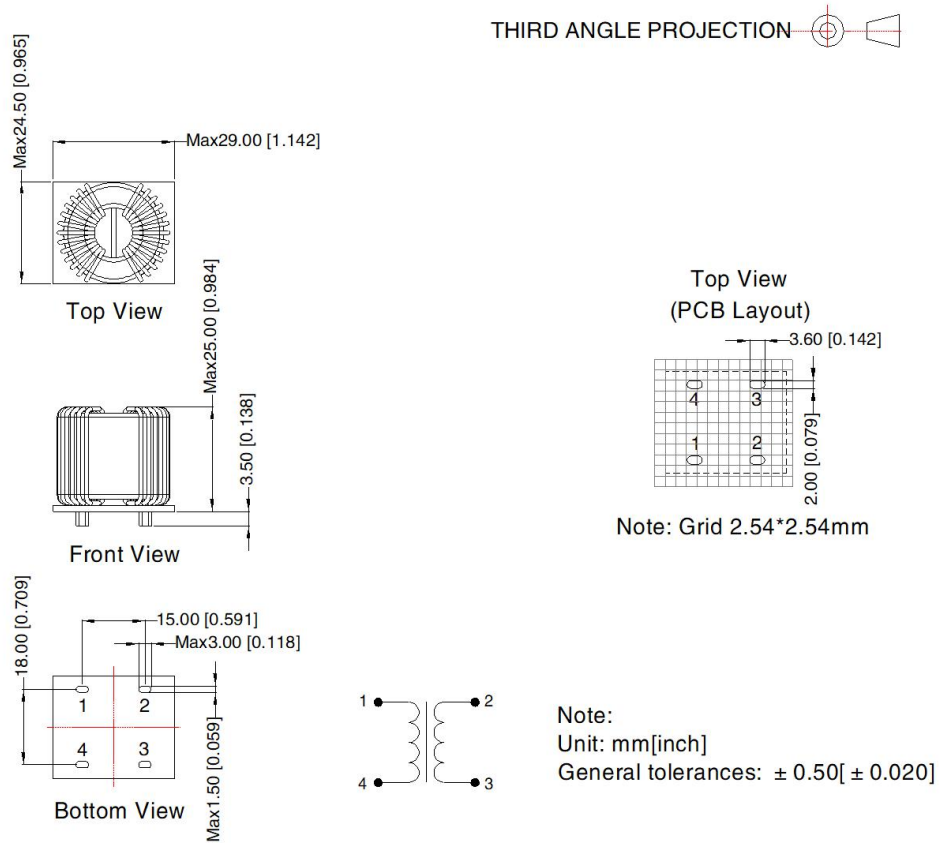


Fig. 4

Note:

1. For additional information on Product Packaging please refer to www.mornsun-power.com. Packaging bag number: 58240096(FL2D-B0-201、FL2D-70-402、FL2D-90-102)、58210163(FL2D-A0-101) ;
1. Unless otherwise specified, data in this data sheet should be tested under the conditions of Ta=25°C, humidity<75%RH;
2. All index testing methods in this datasheet are based on company corporate standards;
3. The performance indexes of the product models listed in this manual are as above, but some indexes of non-standard model products will exceed the above-mentioned requirements, and please directly contact our technicians for specific information;
4. We can provide product customization service, please contact our technicians directly for specific information;
5. Products are related to laws and regulations: see "Features" ;
6. Our products shall be classified according to ISO14001 and related environmental laws and regulations, and shall be handled by qualified units.

Mornsun Guangzhou Science & Technology Co., Ltd.

Address: No. 5, Kehui St. 1, Kehui Development Center, Science Ave., Guangzhou Science City, Huangpu District, Guangzhou, P. R. China

Tel: 86-20-38601850

Fax: 86-20-38601272

E-mail: info@mornsun.cn

www.mornsun-power.com