



# OLED PRODUCT SPECIFICATION

MANUFACTURED BY RITDISPLAY



<b>PART NUMBER:</b>	<b>USMP-P16803</b>
<b>DESCRIPTION:</b>	1.8", 160 x 3 x 128, 262k Full Color, COF, SSD1353 IC

ISSUE DATE	APPROVED BY (Customer Use Only)	CHECKED BY	PREPARED BY
<b>PROPRIETARY NOTE:</b>	THIS SPECIFICATION IS THE PROPERTY OF US MICRO PRODUCTS AND SHALL NOT BE REPRODUCED OR COPIED WITHOUT THE WRITTEN PERMISSION OF US MICRO PRODUCTS AND MUST BE RETURNED TO US MICRO PRODUCTS UPON ITS REQUEST.		

## REVISION RECORD

REV.	REVISION DESCRIPTION	REV. DATE	REMARK
X01	<ul style="list-style-type: none"> <li>■ Initial release</li> </ul>	2006. 09. 12	
X02	<ul style="list-style-type: none"> <li>■ Modify white CIE specification &amp; contrast setting</li> <li>■ Add single tape &amp; modify seal dimension</li> <li>■ Modify FPC</li> </ul>	2006. 10. 26	Page 6, 8 & 17
A01	<ul style="list-style-type: none"> <li>■ Transfer from X version</li> <li>■ Modify specification of dark room contrast</li> <li>■ Add the information of module weight</li> <li>■ Modify the D.C electrical characteristics</li> <li>■ Add the packing specification</li> </ul>	2007. 02. 06	Page 4, 5, 7, 8 & 18
A02	<ul style="list-style-type: none"> <li>■ Modify power on/off sequence</li> <li>■ Rename IC (SSD1353U4→SSD1353U7)</li> <li>■ Modify single tape</li> </ul>	2008. 05. 21	Page 14 & 17
A03	<ul style="list-style-type: none"> <li>■ Modify definition of panel thickness</li> <li>■ Modify panel electrical specifications – contrast setting, current, power consumption, luminance &amp; CIE</li> </ul>	2009. 07. 09	Page 5, 6 & 8

## CONTENTS

ITEM	PAGE
<b><u>1. SCOPE</u></b>	4
<b><u>2. WARRANTY</u></b>	4
<b><u>3. FEATURES</u></b>	4
<b><u>4. MECHANICAL DATA</u></b>	5
<b><u>5. MAXIMUM RATINGS</u></b>	6
<b><u>6. ELECTRICAL CHARACTERISTICS</u></b>	7
6.1 D.C ELECTRICAL CHARACTERISTICS	
6.2 ELECTRO-OPTICAL CHARACTERISTICS	
<b><u>7. INTERFACE</u></b>	9
7.1 FUNCTION BLOCK DIAGRAM	
7.2 PANEL LAYOUT DIAGRAM	
7.3 PIN ASSIGNMENTS	
7.4 GRAPHIC DISPLAY DATA RAM ADDRESS MAP	
7.5 INTERFACE TIMING CHART	
<b><u>8. POWER ON / OFF SEQUENCE &amp; APPLICATION CIRCUIT</u></b>	14
8.1 POWER ON / OFF SEQUENCE	
8.2 APPLICATION CIRCUIT	
8.3 COMMAND TABLE	
<b><u>9. RELIABILITY TEST CONDITIONS</u></b>	16
<b><u>10. EXTERNAL DIMENSION</u></b>	17
<b><u>11. PACKING SPECIFICATION</u></b>	18
<b><u>12. APPENDIXES</u></b>	19

## **1. SCOPE**

The purpose of this specification is to define the general provisions and quality requirements that apply to the supply of display cells manufactured by RiTdisplay. This document, together with the Module Assembly Drawing, is the highest-level specification for this product. It describes the product, identifies supporting documents and contains specifications.

## **2. WARRANTY**

RiTdisplay warrants that the products delivered pursuant to this specification (or order) will conform to the agreed specifications for twelve (12) months from the shipping date ("Warranty Period"). RiTdisplay is obligated to repair or replace the products which are found to be defective or inconsistent with the specifications during the Warranty Period without charge, on condition that the products are stored or used as the conditions specified in the specifications. Nevertheless, RiTdisplay is not obligated to repair or replace the products without charge if the defects or inconsistency are caused by the force majeure or the reckless behaviors of the customer.

After the Warranty Period, all repairs or replacements of the products are subject to charge.

## **3. FEATURES**

- Small molecular organic light emitting diode.
- Color : 262 K color and 65K colors
- Panel resolution : 160\*128
- Driver IC : SSD1353
- Excellent Quick response time : 10 $\mu$ s
- Extremely thin thickness for best mechanism design. : 2.05 mm
- High contrast : 2000:1
- Wide viewing angle : 160°
- Strong environmental resistance.
- 8/9/16/18-bits 6800/8080-series Parallel Interface, Serial Peripheral Interface.
- Wide range of operating temperature : -40 to 70°C
- Anti-glare polarizer.

#### 4. MECHANICAL DATA

NO	ITEM	SPECIFICATION	UNIT
1	Dot Matrix	160 x 3x 128	dot
2	Dot Size	0.048 (W) x 0.199 (H)	mm <sup>2</sup>
3	Dot Pitch	0.073 (W) x 0.219 (H)	mm <sup>2</sup>
4	Aperture Rate	60	%
5	Active Area	35.015 (W) x 28.012 (H)	mm <sup>2</sup>
6	Panel Size	42.7 (W) x 33.4 (H)	mm <sup>2</sup>
7*	Panel Thickness	1.85 ± 0.1	mm
8	Module Size	42.7 (W) x 79.5 (H) x 2.05 (T)	mm <sup>3</sup>
9	Diagonal A/A size	1.8	inch
10	Module Weight	6.1 ± 10%	gram

\* Panel thickness includes substrate glass, cover glass and UV glue thickness.

## 5. MAXIMUM RATINGS

ITEM	MIN	MAX	UNIT	Condition	Remark
Supply Voltage (V <sub>Cl</sub> )	-0.5	3.5	V	Ta = 25°C	IC maximum rating
Supply Voltage (V <sub>cc</sub> )	10	21	V	Ta = 25°C	IC maximum rating
Operating Temp.	-40	70	°C		
Storage Temp	-40	85	°C		
Humidity		85	%		
Life Time	12,000	-	Hrs	80 cd/m <sup>2</sup> , 50% checkerboard	Note (1)
Life Time	16,000	-	Hrs	60 cd/m <sup>2</sup> , 50% checkerboard	Note (2)

Note:

(A) Under V<sub>cc</sub> = 17V, Ta = 25°C, 50% RH.

(B) Life time is defined the amount of time when the luminance has decayed to less than 50% of the initial measured luminance.

(1) Setting of 80 cd/m<sup>2</sup> :

- Master contrast setting : 0x0f
- Frame rate : 85Hz
- Duty setting : 1/128

(2) Setting of 60 cd/m<sup>2</sup> :

- Master contrast setting : 0x0b
- Frame rate : 85Hz
- Duty setting : 1/128

## **6. ELECTRICAL CHARACTERISTICS**

### **6.1 D.C ELECTRICAL CHARACTERISTICS**

SYMBOL	PARAMETERS	TEST CONDITION	MIN	TYP	MAX	UNIT
$V_{CC}$	Driver power supply (for OLED panel)		16.5	17	17.5	V
$V_{CI}$	Low voltage power supply (for driver IC)		2.4	2.8	3.5	V
$V_{DDIO}$	Logic I/O operating voltage		1.6	1.8	$V_{CI}$	V
$V_{OH}$	High logic output level	$I_{out}=100\mu A$	$0.9 \cdot V_{DDIO}$		$V_{DDIO}$	V
$V_{OL}$	Low logic output level	$I_{out}=100\mu A$	0		$0.1 \cdot V_{DDIO}$	V
$V_{IH}$	High logic input level	$I_{out}=100\mu A$	$0.8 \cdot V_{DDIO}$		$V_{DDIO}$	V
$V_{IL}$	Low logic output level	$I_{out}=100\mu A$	0		$0.2 \cdot V_{DDIO}$	V
$I_{CC}$	Operating current for $V_{CC}$ (No panel attached)	Contrast=FF		8.9	10	mA
$I_{CI}$	Operating current for $V_{CI}$ (No panel attached)	Contrast=FF		890	980	$\mu A$
$I_{SEG}$	Segment output current (No panel attached)	Contrast=FF		160	175	$\mu A$
		Contrast=7F		80		$\mu A$

## 6.2 ELECTRO-OPTICAL CHARACTERISTICS

### PANEL ELECTRICAL SPECIFICATIONS

PARAMETER	MIN	TYP.	MAX	UNITS	COMMENTS
Normal mode current	-	39	41	mA	All pixels on (1)
Standby mode current	-	3	5	mA	Standby mode 10% pixels on (2)
Normal mode power consumption	-	663	697	mW	All pixels on (1)
Standby mode power consumption	-	51	85	mW	Standby mode 10% pixels on (2)
Pixel Luminance	60	80		cd/m <sup>2</sup>	Display Average
Standby Luminance		20		cd/m <sup>2</sup>	
CIE <sub>x</sub> (Red)	0.62	0.66	0.70		CIE1931
CIE <sub>y</sub> (Red)	0.29	0.33	0.37		CIE1931
CIE <sub>x</sub> (Green)	0.26	0.30	0.34		CIE1931
CIE <sub>y</sub> (Green)	0.59	0.63	0.67		CIE1931
CIE <sub>x</sub> (Blue)	0.10	0.14	0.18		CIE1931
CIE <sub>y</sub> (Blue)	0.14	0.18	0.22		CIE1931
CIE <sub>x</sub> (White)	0.27	0.31	0.35		CIE1931
CIE <sub>y</sub> (White)	0.29	0.33	0.37		CIE1931
Dark Room Contrast	2000:1				
Viewing Angle	160			degree	
Response Time		10		μs	

Normal mode condition :

- Driving Voltage : 17V
- Contrast setting : 0x0f
- Frame rate : 85Hz
- Duty setting : 1/128

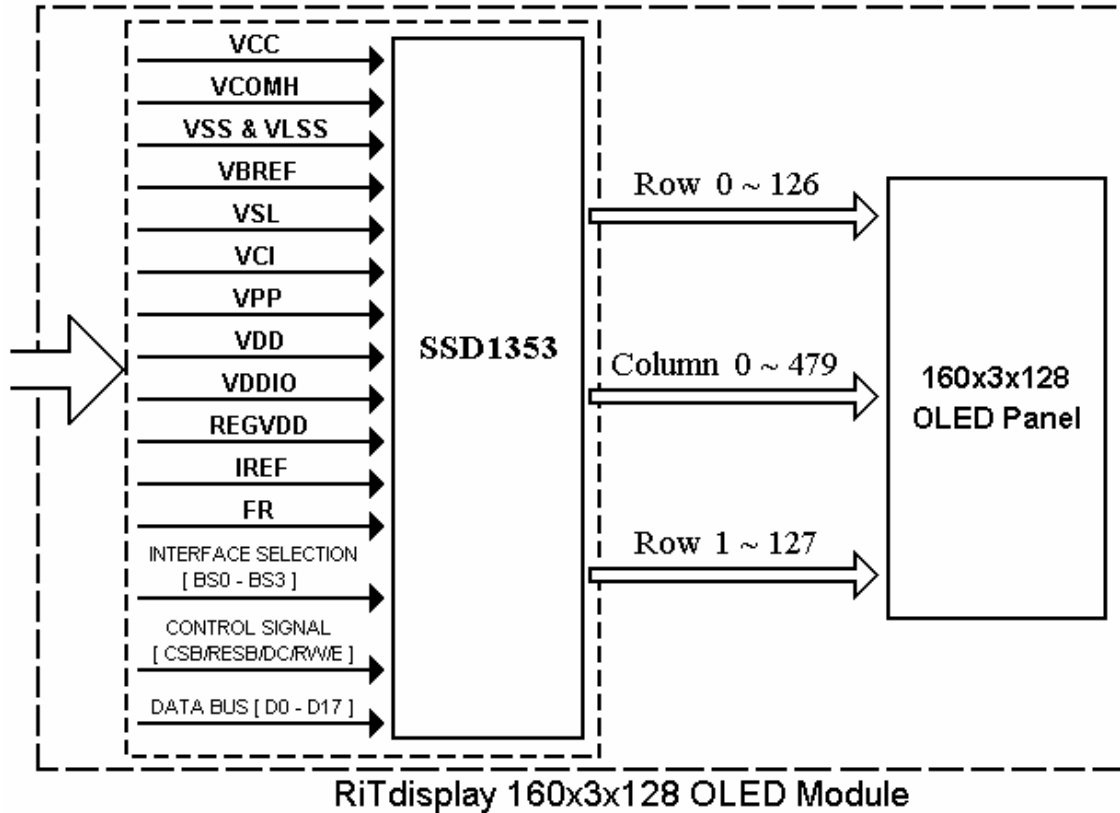
Standby mode condition :

- Driving Voltage : 17V
- Contrast setting : 0x05
- Frame rate : 85Hz
- Duty setting : 1/128

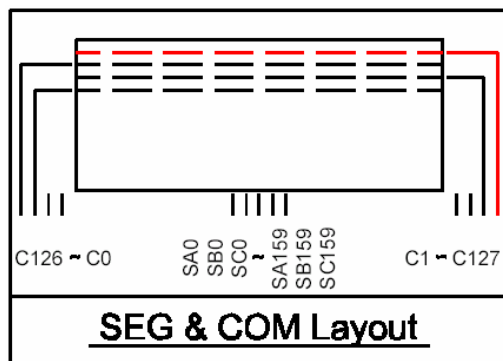


## 7. INTERFACE

### 7.1 FUNCTION BLOCK DIAGRAM



### 7.2 PANEL LAYOUT DIAGRAM



### 7.3 PIN ASSIGNMENTS

PIN NO	PIN NAME	DESCRIPTION
1	VCC	Power supply for panel driving voltage.
2	VCOMH	A capacitor should be connected between this pin and VSS.
3	VLSS	Analog system ground pin.
4	VSS	Ground pin.
5	VBREF	Connect to ground with a capacitor.
6	VSL	This is segment voltage reference pin.
7	VCI	Low voltage power supply.
8	VPP	Connect to VDD.
9	VDD	Power supply input for logic.
10	VDDIO	Power supply for interface logic level. It should be match with the MCU interface voltage level. VDDIO must always be equal or lower than VCI.
11.	REGVDD	Internal VDD regulator selection pin. When this pin is pulled high, internal VDD regulator is enabled. When this pin is pulled low, external VDD regulator is used.
12	BS0	Interface selection pins.
13	BS1	
14	BS2	
15	BS3	
16	FR	It should be kept NC.
17	CSB	This pad is the chip select input. Low active.
18	RESB	This is a reset signal input. Low active.
19	DC	D/C="H": Data. D/C="L": Command.
20	RW	When connected to 8080-series MPU. WR pin. When RW ="L": Write signal input. When connected to 6800-series MPU. When RW ="H": Read. When RW ="L": Write.
21	E	When connected to 8080-series MPU. RD pin. When E ="L": Read signal input. When connected to 6800-series MPU. Enable clock input of the 6800 series MPU.
22	D0	18 bit / 16bit / 9bit / 8 bit Data bus I/O.
23	D1	
24	D2	
25	D3	
26	D4	
27	D5	
28	D6	
29	D7	
30	D8	

31	D9	
32	D10	
33	D11	
34	D12	
35	D13	
36	D14	
37	D15	
38	D16	
39	D17	
40	IREF	A resistor should be connected between this pin and VSS.
41	VSS	Ground pin.
42	VLSS	Analog system ground pin.
43	VCOMH	A capacitor should be connected between this pin and VSS.
44	VCC	Power supply for panel driving voltage.
45	NC	No connection.

### 7.4 GRAPHIC DISPLAY DATA RAM ADDRESS MAP

The GDDRAM is a bit mapped static RAM holding the bit pattern to be displayed. The size of the RAM is 160x132x18bits.

For mechanical flexibility, re-mapping on both Segment and Common outputs can be selected by software.

For vertical scrolling of the display, an internal register storing display start line can be set to control the portion of the RAM data to be mapped to the display.

Each pixel has 18-bit data. Each sub-pixels for color A, B and C have 6 bits. The arrangement of data pixel in graphic display data RAM is shown below.

Data Format Common Address		A5	B5	C5	A5	B5	C5	A5	.....	.....	C5	A5	B5	C5	Common output	
		A4	B4	C4	A4	B4	C4	A4	.....	.....	C4	A4	B4	C4		
		A3	B3	C3	A3	B3	C3	A3	.....	.....	C3	A3	B3	C3		
		A2	B2	C2	A2	B2	C2	A2	.....	.....	C2	A2	B2	C2		
		A1	B1	C1	A1	B1	C1	A1	.....	.....	C1	A1	B1	C1		
Normal		Remapped	A0	B0	C0	A0	B0	C0	A0	.....	.....	C0	A0	B0	C0	
0	131	6	6	6	6	6	6	6	.....	.....	6	6	6	6	COM0	
1	130	6	6	6					.....	.....					COM1	
2	129								.....	.....					COM2	
3	128								.....	.....					COM3	
4	127								.....	.....					COM4	
5	126								.....	.....					COM5	
6	125								.....	.....					COM6	
7	124								.....	.....					COM7	
:	:	:	:	:	:	:	:	:	.....	.....	:	:	:	:		
:	:	:	:	:	:	:	:	:	.....	.....	:	:	:	:		
:	:	:	:	:	:	:	:	:	.....	.....	:	:	:	:		
127	4								.....	.....						
128	3								.....	.....					COM128	
129	2								.....	.....					COM129	
130	1								.....	.....					COM130	
131	0								.....	.....					COM131	

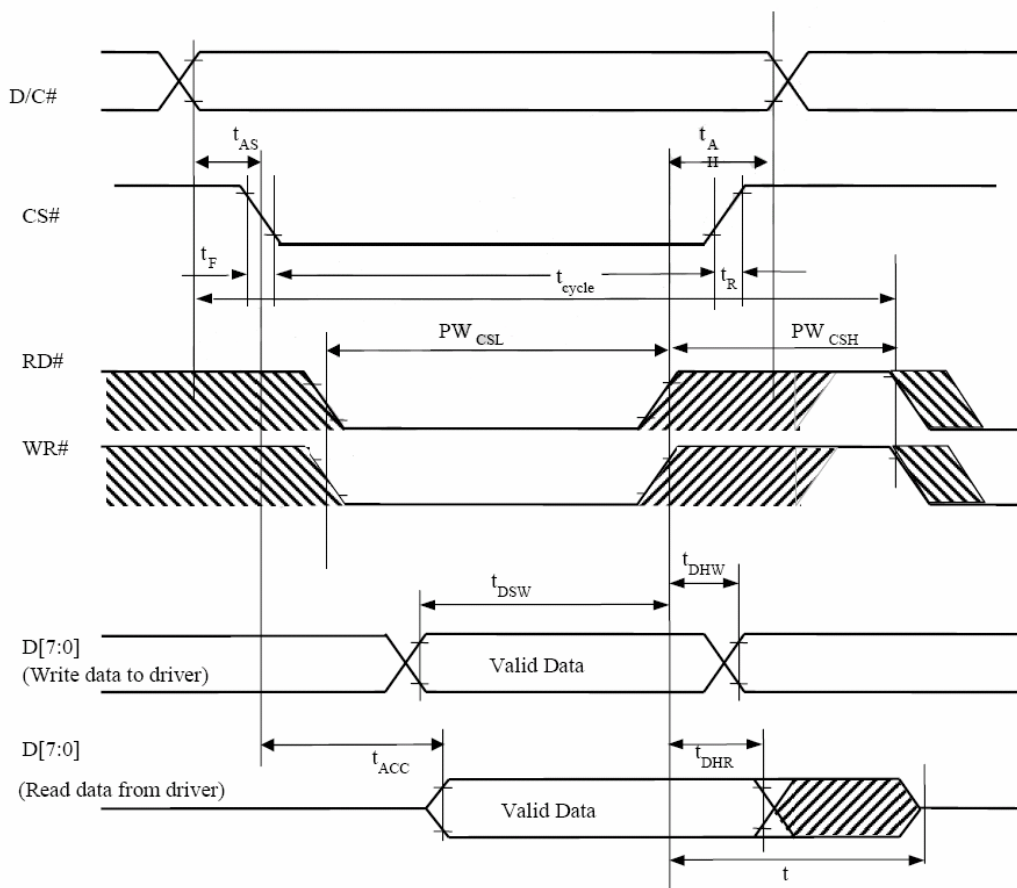
  

SEG output	SA0	SB0	SC0	SA1	SB1	SC1	SA2	.....	.....	SC158	SA159	SB159	SA159
------------	-----	-----	-----	-----	-----	-----	-----	-------	-------	-------	-------	-------	-------

## 7.5 INTERFACE TIMING CHART

( $V_{DD} - V_{SS} = 2.4$  to  $2.6V$ ,  $V_{DDIO} = 1.6V$ ,  $T_A = 25^\circ C$ )

Symbol	Parameter	Min	Typ	Max	Unit
$t_{cycle}$	Clock Cycle Time	300	-	-	ns
$t_{AS}$	Address Setup Time	0	-	-	ns
$t_{AH}$	Address Hold Time	0	-	-	ns
$t_{DSW}$	Write Data Setup Time	40	-	-	ns
$t_{DHW}$	Write Data Hold Time	7	-	-	ns
$t_{DHR}$	Read Data Hold Time	20	-	-	ns
$t_{OH}$	Output Disable Time	-	-	70	ns
$t_{ACC}$	Access Time	-	-	140	ns
$PW_{CSL}$	Chip Select Low Pulse Width (read)	120	-	-	ns
	Chip Select Low Pulse Width (write)	60	-	-	ns
$PW_{CSH}$	Chip Select High Pulse Width (read)	60	-	-	ns
	Chip Select High Pulse Width (write)	60	-	-	ns
$t_R$	Rise Time	-	-	15	ns
$t_F$	Fall Time	-	-	15	ns



**8080-series MPU parallel interface characteristics**

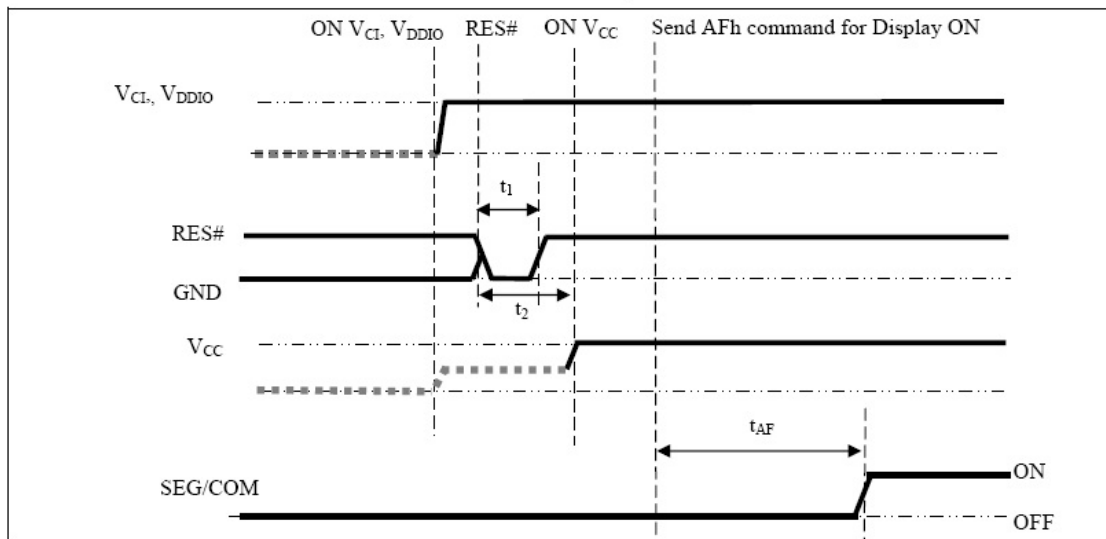
## 8. POWER ON / OFF SEQUENCE & APPLICATION CIRCUIT

### 8.1 POWER ON / OFF SEQUENCE

#### Power ON sequence:

1. Power ON  $V_{CI}$ ,  $V_{DDIO}$ .
2. After  $V_{CI}$ ,  $V_{DDIO}$  become stable, set RES# pin LOW (logic low) for at least 100us ( $t_1$ ) and then HIGH(logic high).
3. After set RES# pin LOW (logic low), wait for at least 100us ( $t_2$ ). Then Power ON  $V_{CC}$  (1)
4. After  $V_{CC}$  become stable, send command AFh for display ON. SEG/COM will be ON after 200ms( $t_{AF}$ ).

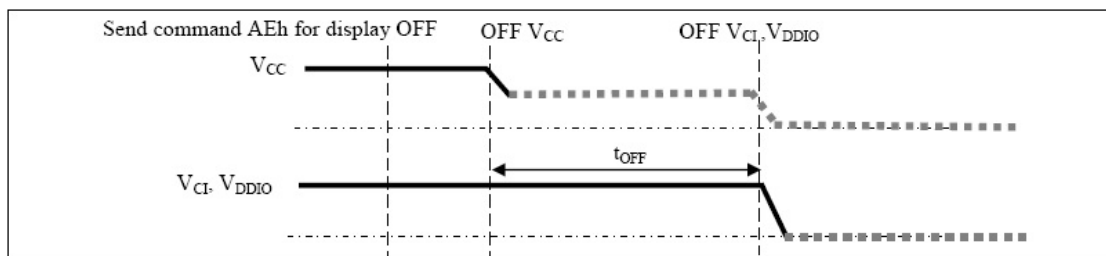
The Power ON sequence.



#### Power OFF sequence:

1. Send command AEh for display OFF.
2. Power OFF  $V_{CC}$  (1), (2)
3. Wait for  $t_{OFF}$ . Power OFF  $V_{CI}$ ,  $V_{DDIO}$ .  
 (Where Minimum  $t_{OFF}$ =80ms, Typical  $t_{OFF}$ =100ms)

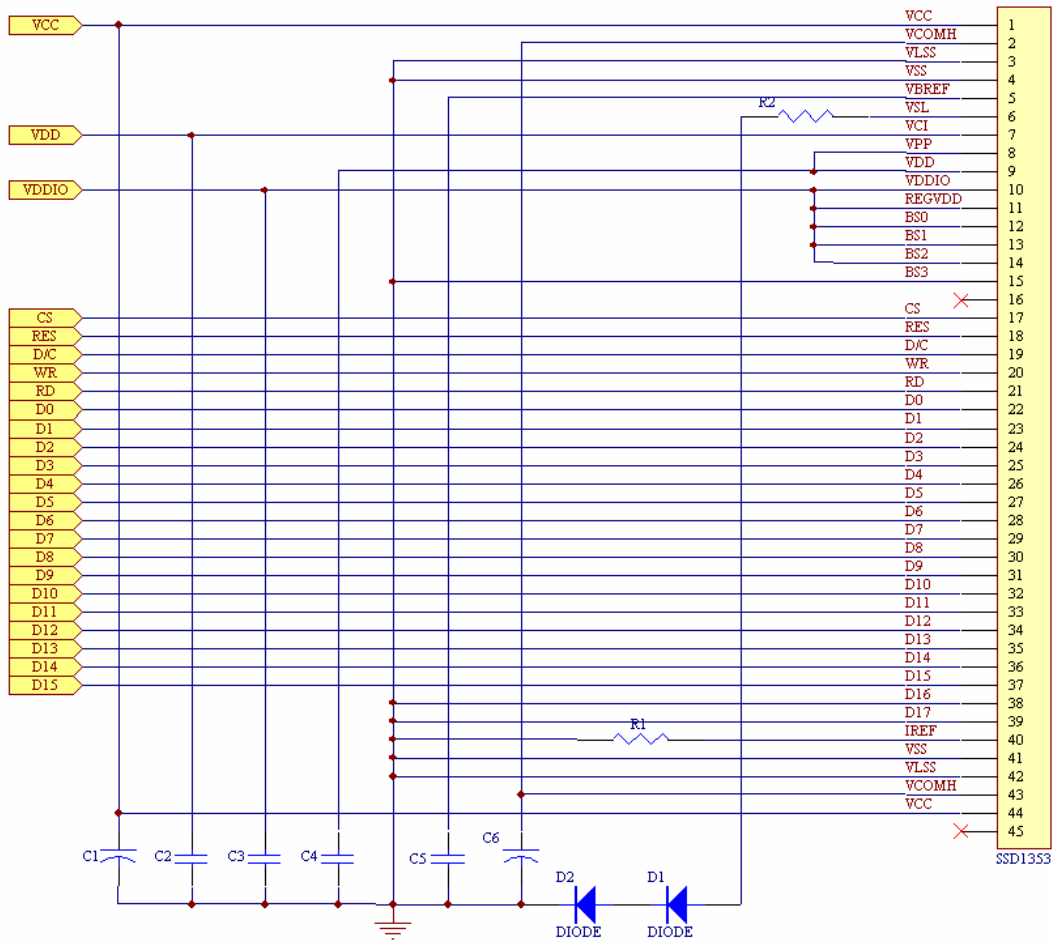
The Power OFF sequence



#### Note:

- (1) Since an ESD protection circuit is connected between  $V_{CI}$ ,  $V_{DDIO}$  and  $V_{CC}$ ,  $V_{CC}$  becomes lower than  $V_{CI}$  whenever  $V_{CI}$ ,  $V_{DDIO}$  is ON and  $V_{CC}$  is OFF as shown in the dotted line of  $V_{CC}$  in above figures.
- (2)  $V_{CC}$  should be disabled when it is OFF.

## 8.2 APPLICATION CIRCUIT



Component:

C1, C6 : 4.7 uF/25 ~ 35V **Tantalum type capacitor.**

C2, C3, C4 : 1uF/ 16V

C5 : 0.1uF/ 16V

R1: 1.2M ohm 1%

R2: 50ohm 1/4W

D1 and D2: RB480K (ROHM)

**This circuit is for 8080 16bits interface.**

## 8.3 COMMAND TABLE

Refer to IC Spec : SSD1353

## **9. RELIABILITY TEST CONDITIONS**

No.	Items	Specification	Quantity
1	High temp. (Non-operation)	85°C, 240hrs	5
2	High temp. (Operation)	70°C, 120hrs	5
3	Low temp. (Operation)	-40°C, 120hrs	5
4	High temp. / High humidity (Operation)	65°C, 90%RH, 96hrs	5
5	Thermal shock (Non-operation)	-40°C ~85°C (-40°C /30min; transit /3min; 85°C /30min; transit /3min) 1cycle: 66min, 20 cycles	5
6	Vibration	Frequency : 5~50HZ, 0.5G Scan rate : 1 oct/min Time : 2 hrs/axis Test axis : X, Y, Z	1 Carton
7	Drop	Height: 120cm Sequence : 1 angle 、 3 edges and 6 faces  Cycles: 1	1 Carton
8	ESD (Non-operation)	Air discharge model, ±8kV, 10 times	5

### **Test and measurement conditions**

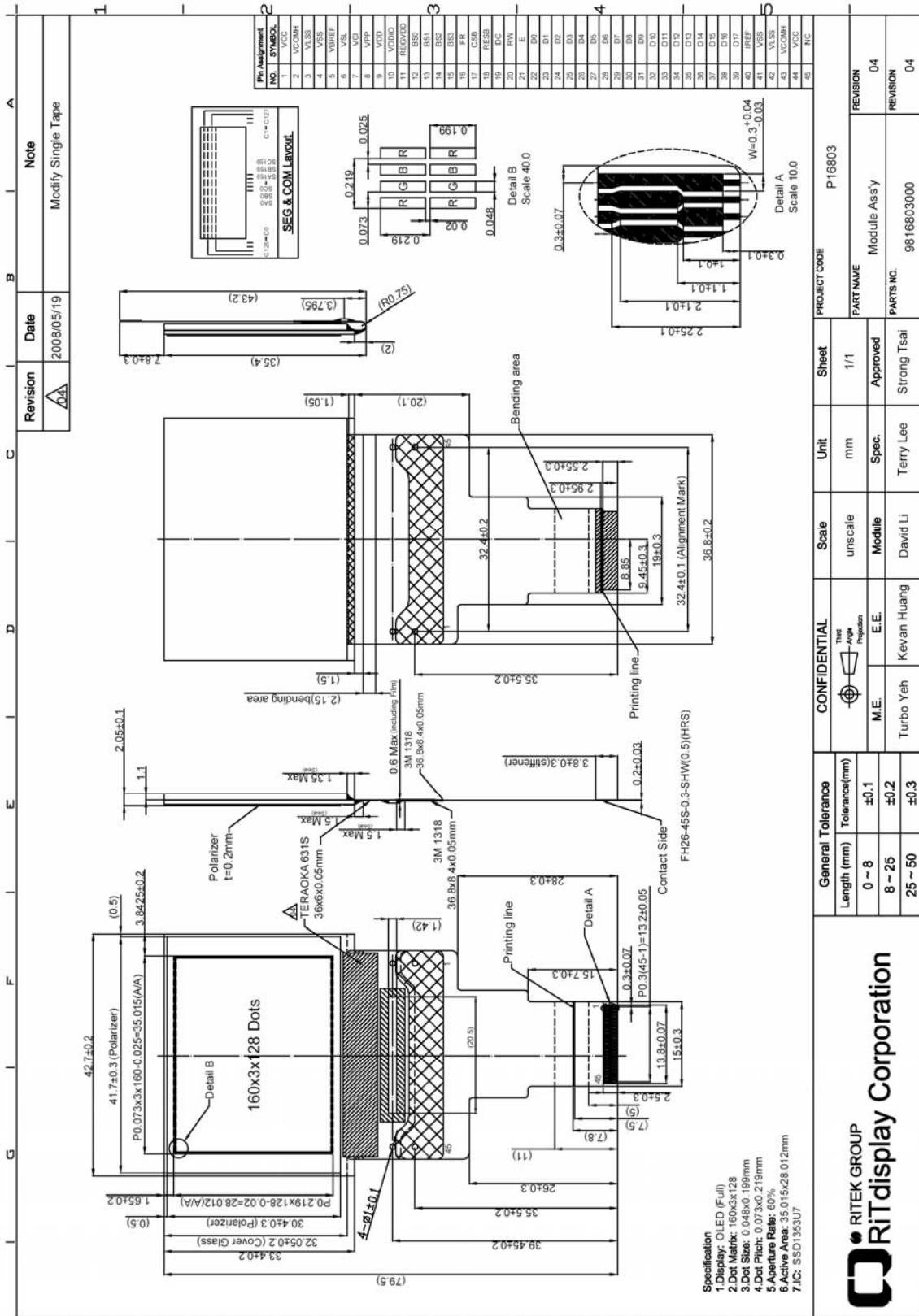
1. All measurements shall not be started until the specimens attain to temperature stability.
2. All-pixels-on is used as operation test pattern.
3. The degradation of Polarizer are ignored for item 1, 4 & 5.

### **Evaluation criteria**

1. The function test is OK.
2. No observable defects.
3. Luminance: > 50% of initial value.
4. Current consumption: within  $\pm$  50% of initial value.



**10. EXTERNAL DIMENSION**



**11. PACKING SPECIFICATION**

Revision	Date	Note
A1	20/07/02/06	Packing Tray Instruction

Item	Part No.	Description	QTY
1	9816803000	P16803 Module Assy	288
2	3008000084	Tray 330x270x11.7mm, L=0.7mm	20
3	3002000110	EPE Cover Foam 280x23x2mm	36
4	3000000500	4G 防静电棉(不織布)	10
5	3003000012	真空包装袋 480x285x90mm	2
6	3003000013	Antistatic Bubble Bag 420x350+450mm	2
7	3001000005	Pizza Box 345x285x88, B浪	2
8	3006000009	蓝色 Carton, 385x305x203mm	1
9	3006000000	Label	3
10	3008000125	封箱膠帶	

General Tolerance		Scale	Unit	Sheet
Length (mm)	Tolerance (mm)	1:9	mm	1/1
0 - 8	±0.1			
8 - 25	±0.2	Modulo	Spec.	Approved
25 - 50	±0.3		Terry Lee	Strong Tsai

PROJECT CODE	P16803
PART NAME	Packing Tray Instruction
REVISION	01
DATE	9816803000

## **12. APPENDIXES**

### **APPENDIX 1: DEFINITIONS**

#### **A. DEFINITION OF CHROMATICITY COORDINATE**

The chromaticity coordinate is defined as the coordinate value on the CIE 1931 color chart for R, G, B, W.

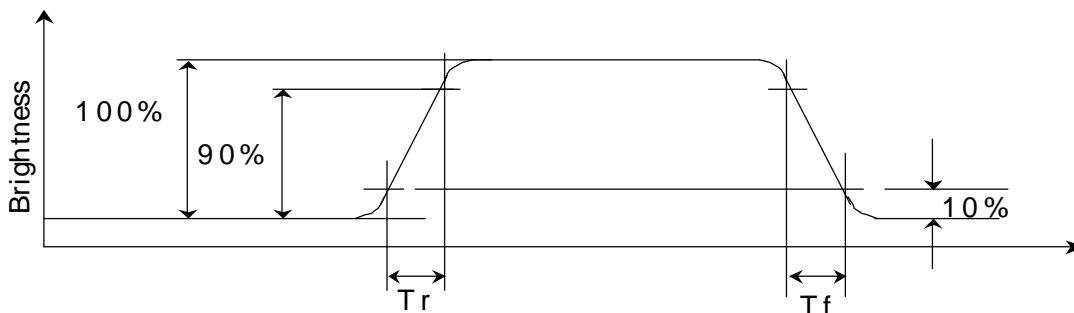
#### **B. DEFINITION OF CONTRAST RATIO**

The contrast ratio is defined as the following formula:

$$\text{Contrast Ratio} = \frac{\text{Luminance of all pixels on measurement}}{\text{Luminance of all pixels off measurement}}$$

#### **C. DEFINITION OF RESPONSE TIME**

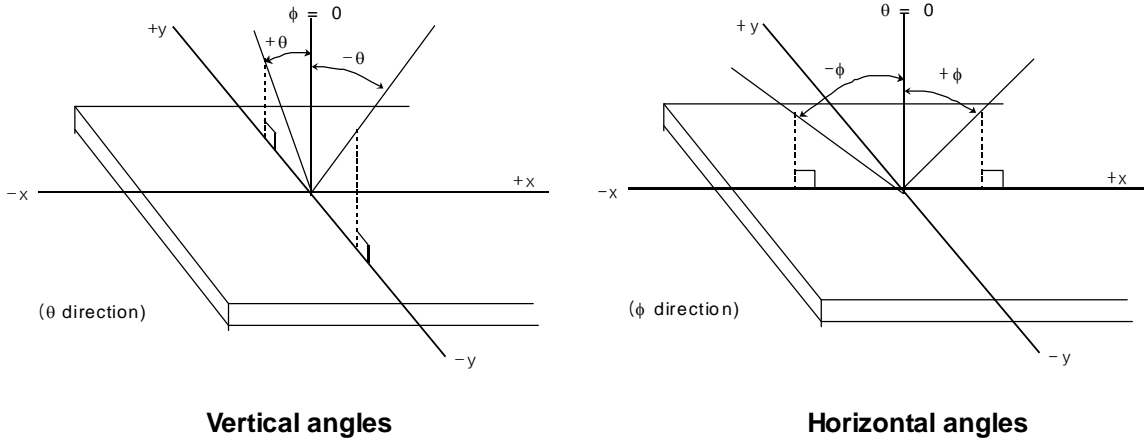
The definition of turn-on response time  $T_r$  is the time interval between a pixel reaching 10% of steady state luminance and 90% of steady state luminance. The definition of turn-off response time  $T_f$  is the time interval between a pixel reaching 90% of steady state luminance and 10% of steady state luminance. It is shown in Figure 2.



**Figure 2 Response time**

**D. DEFINITION OF VIEWING ANGLE**

The viewing angle is defined as Figure 3. Horizontal and vertical (H & V) angles are determined for viewing directions where luminance varies by 50% of the perpendicular value.

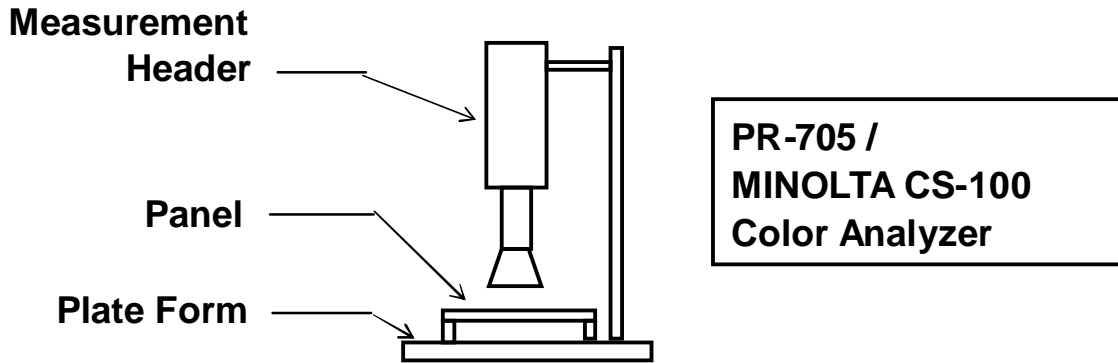


**Figure 3 Viewing angle**

## APPENDIX 2: MEASUREMENT APPARATUS

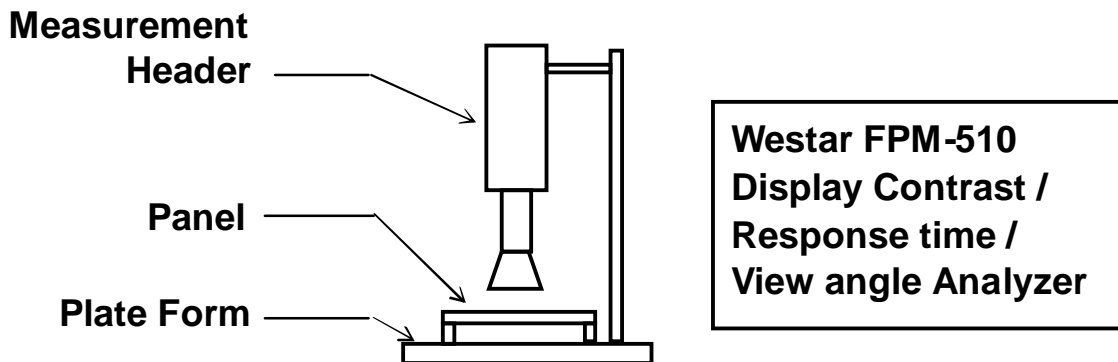
### A. LUMINANCE/COLOR COORDINATE

PHOTO RESEARCH PR-705, MINOLTA CS-100

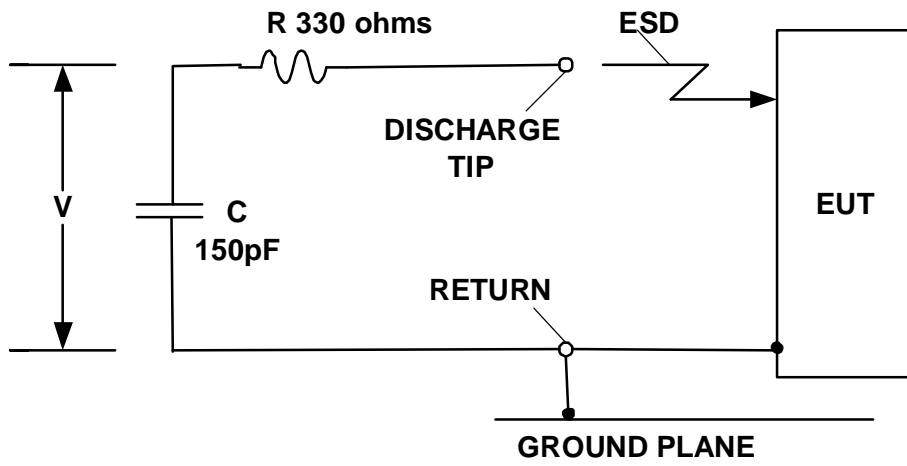


### B. CONTRAST / RESPONSE TIME / VIEWING ANGLE

WESTAR CORPORATION FPM-510



**C. ESD ON AIR DISCHARGE MODE**



## APPENDIX 3: PRECAUTIONS

### A. RESIDUE IMAGE

Because the pixels are lighted in different time, the luminance of active pixels may reduce or differ from inactive pixels. Therefore, the residue image will occur. To avoid the residue image, every pixel needs to be lighted up uniformly.





## Displays

US Micro Products is an industrial distributor specializing in engineered display solutions. We dedicate ourselves to providing the best in displays for the medical, industrial, gaming, automotive, aerospace, military and consumer markets.

**OLEDs**



**TFT Display**



**Open Frame Monitors**



**Passive LCDs**



**Multitouch**



**Touch Screen**



As our customer, you receive expert knowledge, support and service. Our technical sales staff and experienced design engineers provide answers to your questions and engineered solutions to meet your display needs.

## Peripheral Devices

Our full line of peripheral devices includes keyboards, trackballs and printers. These rugged industrial products are designed to meet the rigorous demands of your equipment and are available in a variety of standard and custom options.

**Keyboards**



**Trackballs**



**Aerospace Trackballs**



**Printers**

