

PY07 environment resistant connector



Product introduction

The circular connector is in small size, quick connection and separation of the plug with socket. For its good electrical properties and environment resistant It is widely used in the connection of instruments and electrical equipments.

The shell material: Nylon

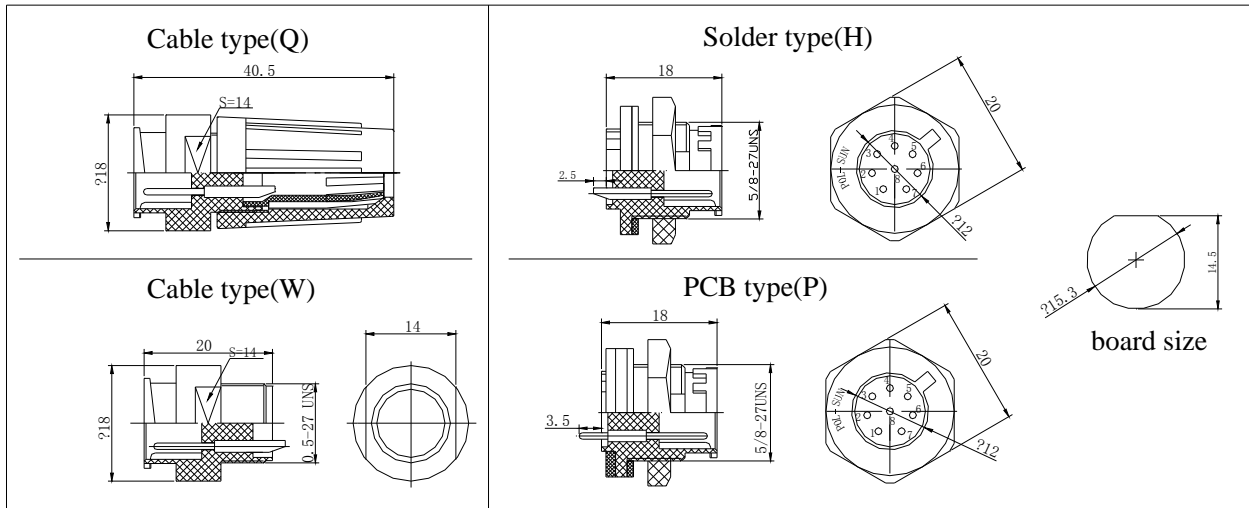
The plug with holes and socket with pins

Technical characteristics

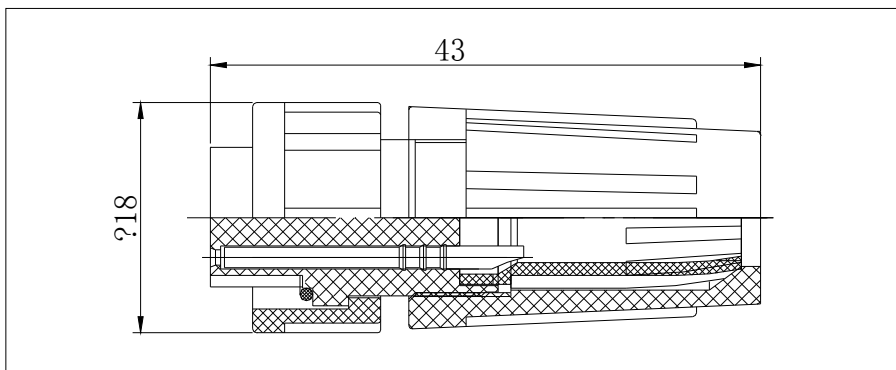
Insulator holes	2	3	4	5	6	7	8
Contact size (mm)	1.6		1.0				
Contact resistance (mΩ)	≤4		≤8				
Working current (A)	7		4				
Working voltage (V)	250		200				
Test voltage (V)	1500		1000				
Insulation resistance (MΩ)	≥2000 (normal)						
Temperature	-40℃ ~ +105℃						
Endurance	1000 cycles						
Waterproof	IP67						

Dimensions

Receptacle



Plug



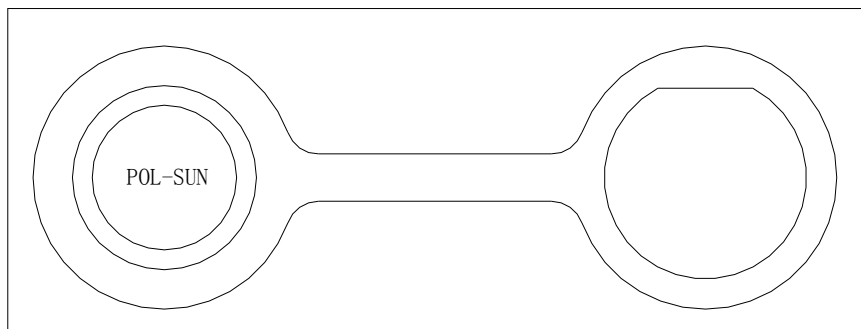
Insulator hole arrangement

<p>2-1.6mm</p>	<p>3-1.6mm</p>	<p>4-1mm</p>	<p>5-1mm</p>
<p>6-1mm</p>	<p>7-1mm</p>	<p>8-1mm</p>	

Accessories

Socket dust cover

It is used with the panel mounting socket, can be ordered by the customers request



型号命名方法 Ordering information

PY07 X Z/T Y

主称系列代号
Series

接触件数目: 2、3、4、5、6、7、8
Number of contacts: 2、3、4、5、6、7、8

Y: 圆盘插座 Circular socket
无标识: 电缆式插座 Without: Cable socket

Z: 插座 Socket
T: 插头 Plug