

LM386 Audio Amplifier Module



If you want to add audio capabilities to your new project, you could choose the LM386 audio amplifier. It is a high gain audio amplifier based on the LM386 integrated circuit, and it's designed for use in low voltage consumer applications. The gain will increase to any value from 20 to 200 when you put an external resistor and capacitor between pins 1 and 8.

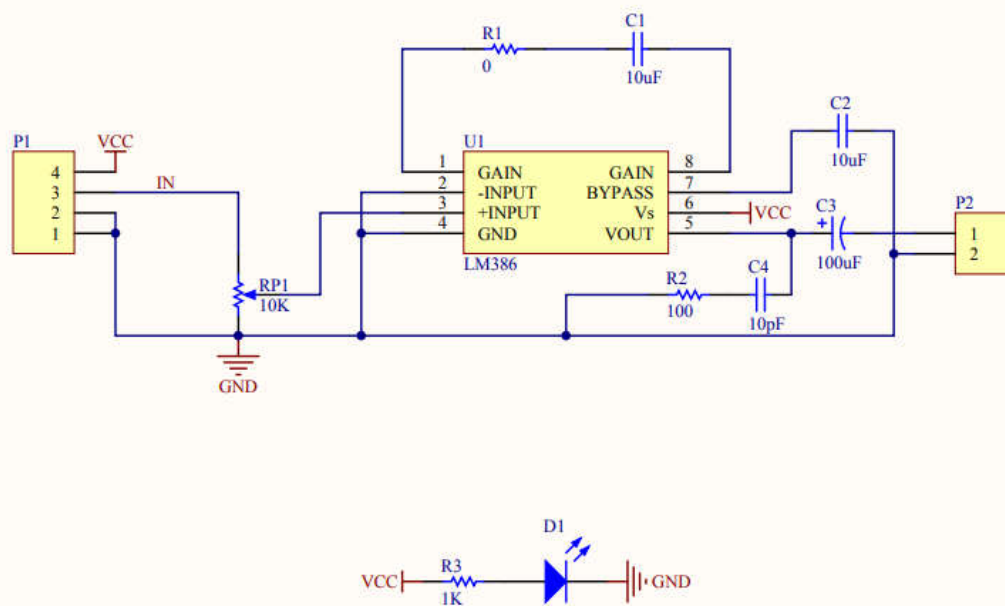
This module can be used on intercoms, AM-FM radio amplifiers, and other sound system.

Features

- Low distortion.
- On-board trimmer for volume control.
- Minimum external parts.
- Available in 8 pin MSOP package.

Specifications

- Gain: 20-200
- Supply voltage: 5-12v
- Low quiescent current drain: 4mA
- Low distortion: 0.2%



Comment	Description	Designator	Footprint	LibRef	Quantity
10uF	Capacitor	C1, C2	0805	CAP	2
100uF	Polarized Capacitor (Radial)	C3	CAPPR2-5x6.8	Cap Pol1	1
10pF	Capacitor	C4	0805	CAP	1
LED	Typical INFRARED GaAs LED	D1	LED-0805	LED	1
Header 4	Header, 4-Pin	P1	HDR1X4	Header 4	1
Header 2	Header, 2-Pin	P2	Terminal-5.08-2P	Header 2	1
0	Semiconductor Resistor	R1	0805	RES	1
100	Semiconductor Resistor	R2	0805	RES	1
1K	Semiconductor Resistor	R3	0805	RES	1
10K	Potentiometer	RP1	RM063	RPot	1
LM386		U1	SOIC8	LM386	1