



AL0410 SERIES ~ Axial Leaded Inductors

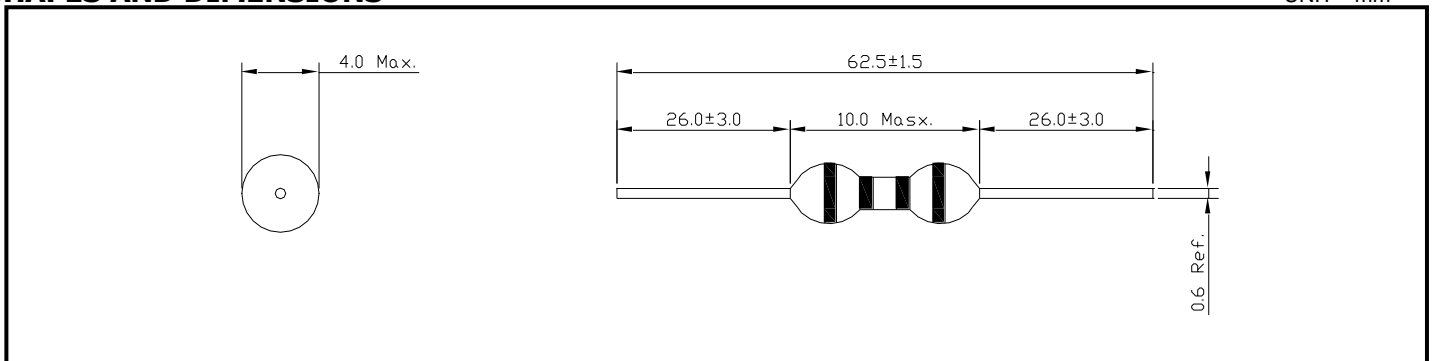


PART NUMBERING SYSTEM

| | | | | | |
|-----------|-------------|---|-------------|---|-----------|
| AL | 0410 | — | R10M | — | LF |
| TYPE | DIMENSIONS | | INDUCTANCE | | LEAD FREE |

SHAPES AND DIMENSIONS

UNIT : mm





AL0410 SERIES ~ Axial Leaded Inductors



SPECIFICATION TABLE

| PART NUMBER | INDUCTANCE (μ H) | Q (min) | DCR (Ω) (max) | IDC (mA) (max) | SRF(MHz) (min) | TEST FREQ. (f) |
|----------------|--------------------------|------------|---------------------------|-------------------|-------------------|-------------------|
| AL0410-R10M-LF | 0.10 \pm 20% | 25 | 0.060 | 1700 | 480 | 25.2MHz |
| AL0410-R12M-LF | 0.12 \pm 20% | 25 | 0.060 | 1640 | 450 | 25.2MHz |
| AL0410-R15M-LF | 0.15 \pm 20% | 25 | 0.070 | 1560 | 420 | 25.2MHz |
| AL0410-R18M-LF | 0.18 \pm 20% | 25 | 0.070 | 1480 | 400 | 25.2MHz |
| AL0410-R22M-LF | 0.22 \pm 20% | 25 | 0.080 | 1400 | 380 | 25.2MHz |
| AL0410-R27M-LF | 0.27 \pm 20% | 25 | 0.090 | 1320 | 340 | 25.2MHz |
| AL0410-R33M-LF | 0.33 \pm 20% | 25 | 0.100 | 1280 | 300 | 25.2MHz |
| AL0410-R39M-LF | 0.39 \pm 20% | 25 | 0.120 | 1200 | 280 | 25.2MHz |
| AL0410-R47M-LF | 0.47 \pm 20% | 25 | 0.130 | 1150 | 250 | 25.2MHz |
| AL0410-R56M-LF | 0.56 \pm 20% | 25 | 0.140 | 1100 | 230 | 25.2MHz |
| AL0410-R68M-LF | 0.68 \pm 20% | 25 | 0.150 | 1030 | 210 | 25.2MHz |
| AL0410-R82M-LF | 0.82 \pm 20% | 45 | 0.160 | 980 | 172 | 25.2MHz |
| AL0410-1R0K-LF | 1.00 \pm 10% | 45 | 0.170 | 920 | 157 | 25.2MHz |
| AL0410-1R2K-LF | 1.20 \pm 10% | 50 | 0.180 | 880 | 144 | 7.96MHz |
| AL0410-1R5K-LF | 1.50 \pm 10% | 50 | 0.200 | 830 | 131 | 7.96MHz |
| AL0410-1R8K-LF | 1.80 \pm 10% | 55 | 0.220 | 790 | 121 | 7.96MHz |
| AL0410-2R2K-LF | 2.20 \pm 10% | 55 | 0.240 | 750 | 110 | 7.96MHz |
| AL0410-2R7K-LF | 2.70 \pm 10% | 60 | 0.250 | 720 | 100 | 7.96MHz |
| AL0410-3R3K-LF | 3.30 \pm 10% | 65 | 0.300 | 670 | 94 | 7.96MHz |
| AL0410-3R9K-LF | 3.90 \pm 10% | 65 | 0.350 | 640 | 86 | 7.96MHz |
| AL0410-4R7K-LF | 4.70 \pm 10% | 70 | 0.400 | 620 | 80 | 7.96MHz |
| AL0410-5R6K-LF | 5.60 \pm 10% | 70 | 0.450 | 590 | 74 | 7.96MHz |
| AL0410-6R8K-LF | 6.80 \pm 10% | 75 | 0.500 | 550 | 68 | 7.96MHz |
| AL0410-8R2K-LF | 8.20 \pm 10% | 80 | 0.600 | 530 | 53 | 7.96MHz |
| AL0410-100K-LF | 10.0 \pm 10% | 80 | 0.650 | 500 | 45 | 7.96MHz |



AL0410 SERIES ~ Axial Leaded Inductors



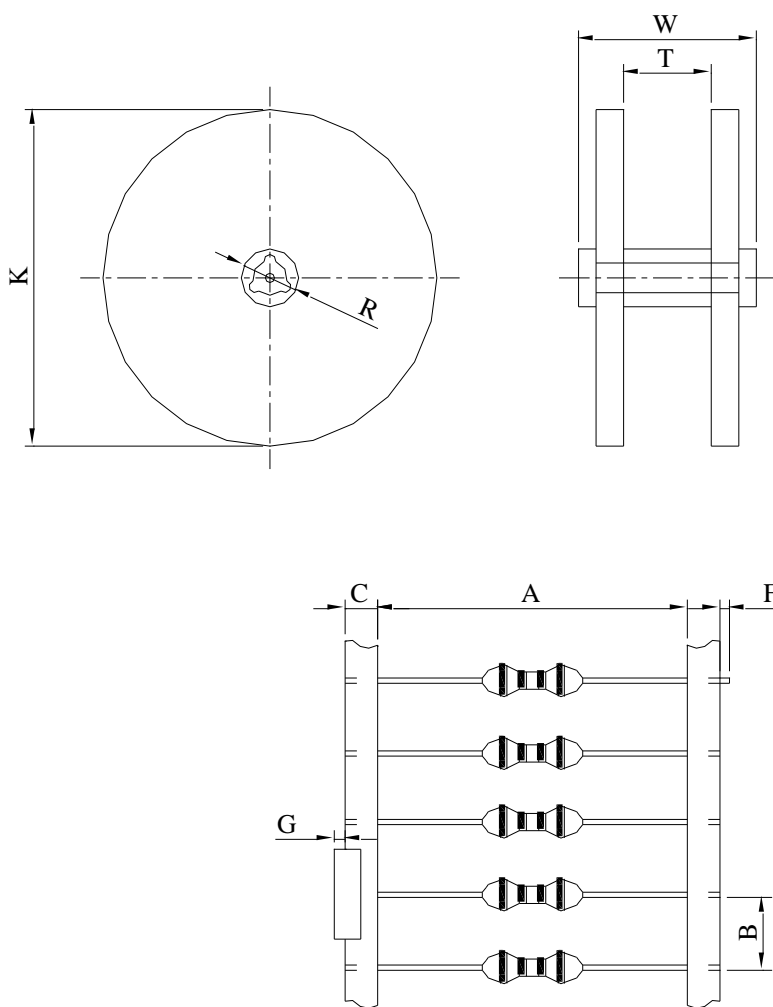
SPECIFICATION TABLE

| PART NUMBER | INDUCTANCE (μ H) | Q (min) | DCR (Ω) (max) | IDC (mA) (max) | SRF(MHz) (min) | TEST FREQ. (f) |
|----------------|--------------------------|------------|---------------------------|-------------------|-------------------|-------------------|
| AL0410-120K-LF | 12.0 \pm 10% | 75 | 0.700 | 480 | 34 | 2.52MHz |
| AL0410-150K-LF | 15.0 \pm 10% | 70 | 0.750 | 460 | 20 | 2.52MHz |
| AL0410-180K-LF | 18.0 \pm 10% | 65 | 0.800 | 430 | 14 | 2.52MHz |
| AL0410-220K-LF | 22.0 \pm 10% | 50 | 0.900 | 410 | 9.9 | 2.52MHz |
| AL0410-270K-LF | 27.0 \pm 10% | 55 | 1.000 | 390 | 7.6 | 2.52MHz |
| AL0410-330K-LF | 33.0 \pm 10% | 55 | 1.100 | 370 | 6.3 | 2.52MHz |
| AL0410-390K-LF | 39.0 \pm 10% | 50 | 1.200 | 350 | 6.3 | 2.52MHz |
| AL0410-470K-LF | 47.0 \pm 10% | 45 | 1.300 | 340 | 6.3 | 2.52MHz |
| AL0410-560K-LF | 56.0 \pm 10% | 40 | 1.500 | 320 | 6.2 | 2.52MHz |
| AL0410-680K-LF | 68.0 \pm 10% | 40 | 1.800 | 305 | 5.7 | 2.52MHz |
| AL0410-820K-LF | 82.0 \pm 10% | 35 | 2.000 | 290 | 5.3 | 2.52MHz |
| AL0410-101K-LF | 100 \pm 10% | 30 | 2.500 | 275 | 4.8 | 2.52MHz |
| AL0410-121K-LF | 120 \pm 10% | 70 | 3.000 | 185 | 3.8 | 0.796MHz |
| AL0410-151K-LF | 150 \pm 10% | 60 | 4.200 | 175 | 3.5 | 0.796MHz |
| AL0410-181K-LF | 180 \pm 10% | 70 | 4.600 | 165 | 3.3 | 0.796MHz |
| AL0410-221K-LF | 220 \pm 10% | 70 | 5.100 | 155 | 3.0 | 0.796MHz |
| AL0410-271K-LF | 270 \pm 10% | 65 | 6.000 | 145 | 2.8 | 0.796MHz |
| AL0410-331K-LF | 330 \pm 10% | 65 | 6.500 | 137 | 2.6 | 0.796MHz |
| AL0410-391K-LF | 390 \pm 10% | 65 | 7.500 | 133 | 2.4 | 0.796MHz |
| AL0410-471K-LF | 470 \pm 10% | 60 | 8.500 | 126 | 2.2 | 0.796MHz |
| AL0410-561K-LF | 560 \pm 10% | 60 | 9.500 | 120 | 2.1 | 0.796MHz |
| AL0410-681K-LF | 680 \pm 10% | 55 | 12.000 | 113 | 1.9 | 0.796MHz |
| AL0410-821K-LF | 820 \pm 10% | 55 | 14.000 | 105 | 1.8 | 0.796MHz |
| AL0410-102K-LF | 1000 \pm 10% | 50 | 20.000 | 85 | 1.4 | 0.796MHz |

AL0410 SERIES ~ Axial Leaded Inductors



PACKAGING SPECIFICATION



| SERIES | STAYLE | Q'TY (PCS) | DIMENSIONS (m/m) | | | | | | | | |
|--------|--------|------------|------------------|----|----|------|--------|-------|-------|-----------------|-----|
| | | | K | T | W | R | A | B | C | F ⁺⁰ | G |
| AL0410 | | 5000 | 355 | 66 | 72 | 17.5 | 52±1.0 | 5±0.5 | 6±1.0 | 0.8 | 1.0 |