

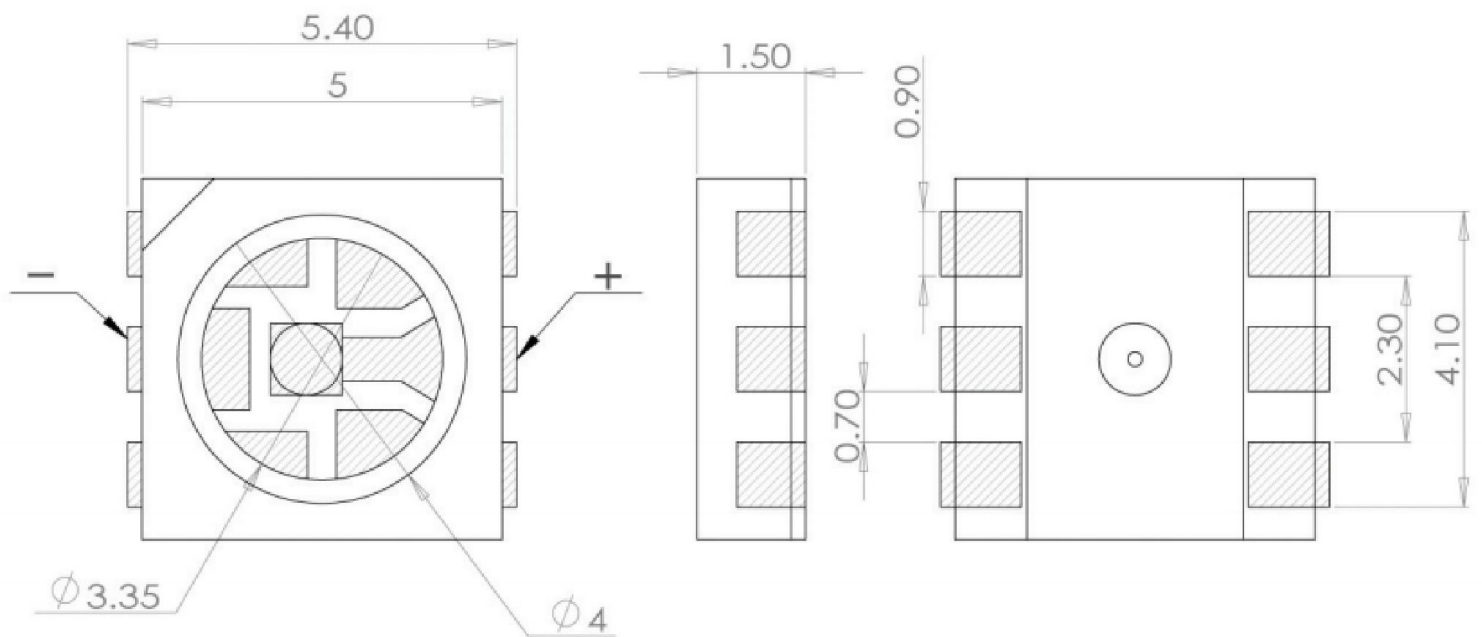
## SMD5050 265NM UVC LEDs



- **Model:** TH-UV265-5050-A
- **Brand:** TIANHUI

### 265nm deep uv led

Part No.	Packaging	Working Current [ $I_F$ (mA) ]	Forward Voltage [ $V_F$ (V) ]	Wavelength [ $\lambda_p$ (nm) ]	Optical Power Output [ $P_o$ (mW) ]	Viewing Angle [ $2\theta^{1/2}(\circ)$ ]
TH-UV265-5050-A	SMD	20	5.5-8.0	265±3	0.2-0.5	60



---

**\*Water Disinfection Application**

**\*Air Disinfection Application**

**\*Surfaces disinfection application**