



IQS7211A DATASHEET

Versatile Trackpad/ touchscreen controller with proximity,
touch, trackpad and gesture outputs

1 Device Overview

The IQS7211A ProxFusion® IC is a capacitive touch and proximity trackpad/touchscreen controller implementation. The IQS7211A features best in class sensitivity, signal-to-noise ratio and automatic tuning of electrodes. Low power proximity detection allows extreme low power operation.

1.1 Main Features

- > Highly flexible ProxFusion® device
- > 12(QFN) / 10(WLCSP) external sensor pad connections
- > Self/Mutual capacitive sensors configuration for display wake-up
- > ULP wake-up on touch
 - Dedicated Ultra Low Power wake-up touch sensor or
 - Wake-up on screen/trackpad
- > Sensor flexibility
 - Automatic sensor tuning for optimum sensitivity
 - Internal voltage regulator
 - Reference capacitor
 - On-chip noise filtering
 - Detection debounce and hysteresis
 - Wide range of capacitance detection
- > Trackpad/Touchscreen
 - High resolution coordinate outputs
 - Fast response: Coordinate report rate up to 100Hz
 - Individual sensor touch (for up to 32 touch key applications)
 - Integrated touch size output (area and strength) for touch integrity
 - Gesture recognition engine
 - Electrode mapping for optimal PCB layout
 - Configurable coordinate resolution and orientation
 - Compatible with wide range of overlay materials and thicknesses
 - Compatible with multiple 1-and 2-layer sensor patterns
 - Adjustable sensing frequency offset for limiting potential display interference
 - No calibration required - systems automatically compensated for mechanical & temperature changes
 - Water immunity features
- > Design and manufacturing support
 - Touch pattern layout drawing
 - Full FPC layout package (example & customized)
 - Test guide for touch pattern
 - RFI immunity design support
- > Design simplicity
 - PC Software for debugging and obtaining optimal performance
 - One-time settings programming (during MP) or pre-programmed devices
 - Auto-run from programmed settings for simplified integration
 - No production line calibration required
- > Display cover lens thickness
 - Minimum thickness: 0.5mm
 - Maximum thickness: 2-4mm depending on design parameters
- > Minimize display noise
 - Advanced DSP for touch performance
 - Display and charger interference avoidance





- Auto adjusting digital filters
- > Supports different display touch panel types
 - On-cell
 - Add-on touch panel
- > Supporting up to 2.5" panels
- > Screen resolution
 - 256 per channel
 - Example: 1792x768 (8x4 channels), 1280x1024 (6x5 channels)
- > Automated system power modes for optimal response vs consumption
- > I²C communication interface with IRQ/RDY(up to fast plus -1MHz)
- > Event and streaming modes
- > Customizable user interface due to programmable memory
- > Supply voltage 1.8V(-5%)to 3.5V
- > Small packages
 - WLCSP18 (1.62x 1.62x0.5 mm) - interleaved 0.4mm x 0.6mm ball pitch
 - QFN20 (3 x 3 x 0.5 mm) - 0.4mm pitch

1.2 Applications

- > Fitness bands
- > True Wireless Stereo (TWS) earbuds
- > Game controller touch pads
- > Headphones

1.3 Block Diagram

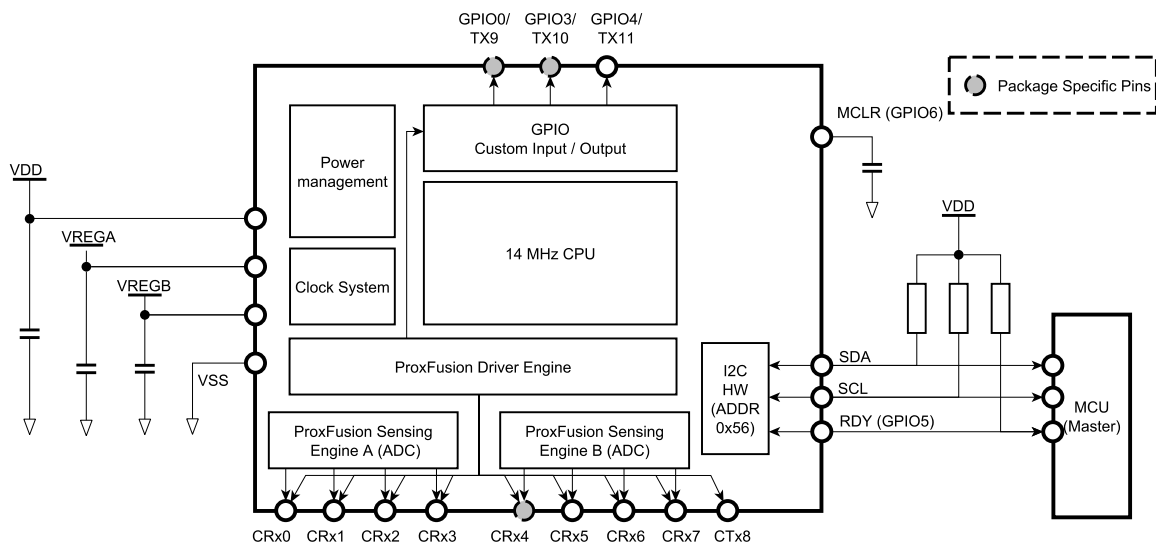


Figure 1.1: Functional Block Diagramⁱ

ⁱWLCSP18 packages do not have a CRX4 and combines GPIO0 and GPIO3



1.4 Option Summary

Table 1.1: Maximum Sensor Configurations - QFN20

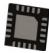
	Trackpad square	Trackpad rectangle
Trackpad option	6x5	8x4

Table 1.2: Maximum Sensor Combinations - WLCSP18


	Trackpad square	Trackpad rectangle
Trackpad option	5x5	7x3

Table 1.3: Trackpad Configurations with Different Sensor Combinationsⁱⁱ

Total Sensors	Total Rxs	Total TxS	Channels	Timeslots	Possible?
12	1	11	11	11	✓
	2	10	20	10	✓
	3	9	27	18	✓
	4	8	32	16	✓
	5	7	35	21	X
	6	6	36	18	X
	7	5	35	20	X
	8	4	32	16	✓
11	1	10	10	10	✓
	2	9	18	9	✓
	3	8	24	16	✓
	4	7	28	14	✓
	5	6	30	18	✓
	6	5	30	15	✓
	7	4	28	16	✓
	8	3	24	12	✓
10 ⁱⁱⁱ	1	9	9	9	✓
	2	8	16	8	✓
	3	7	21	14	✓
	4	6	24	12	✓
	5	5	25	15	✓
	6	4	24	12	✓
	7	3	21	12	✓
	8	2	16	8	✓

ⁱⁱSensor combinations with less sensors than listed below, are possible.

ⁱⁱⁱWLCSP18 package has a maximum of 10 sensors



Contents

Device Overview

1.1	Main Features	1
1.2	Applications	2
1.3	Block Diagram	2
1.4	Option Summary	3

Hardware Connection

2.1	WLCSP18 Pin Diagrams	7
2.2	QFN20 Pin Diagram	7
2.3	Pin Attributes	8
2.4	Signal Descriptions	8
2.5	Reference Schematic	9

Electrical Characteristics

3.1	Absolute Maximum Ratings	10
3.2	ESD Rating	10
3.3	Recommended Operating Conditions	10
3.4	Current Consumption	11

Timing and Switching Characteristics

4.1	Reset Levels	12
4.2	MCLR Pin Levels and Characteristics	12
4.3	Miscellaneous Timings	12
4.4	Digital I/O Characteristics	13
4.5	I ² C Characteristics	13

ProxFusion[®] Module

5.1	Trackpad Channels	14
5.1.1	Channel Numbers	14
5.2	Alternate Low-Power Channel (ALP)	14
5.3	Count Value	14
5.3.1	Trackpad Count Values	14
5.3.2	ALP Count Values	15
5.3.3	Max Count	15
5.3.4	Delta Value	15
5.4	Reference Value/Long-Term Average (LTA)	15
5.4.1	Trackpad References	15
5.4.2	ALP Long-Term Average	15
5.4.3	Reseed	16
5.5	Channel Outputs	16
5.5.1	Trackpad Touch Output	16
5.5.2	ALP Output	16
5.5.3	Output Debounce	16
5.6	Automatic Tuning Implementation (ATI)	16
5.6.1	ATI Coarse Divider/ Multiplier	16
5.6.2	ATI Fine Divider	17
5.6.3	ATI Compensation (and ATI Target)	17
5.6.4	ATI Divider	17
5.7	Automatic Re-ATI	17
5.7.1	Description	17



5.7.2	Conditions for Re-ATI to activate	17
5.7.3	ATI Error	18
Sensing Modes		
6.1	Report Rate	19
6.2	Mode Timeout	20
6.3	Manual Control	20
Trackpad		
7.1	Configuration	21
7.1.1	Size Selection	21
7.1.2	Cycle Setup	21
7.1.3	Trackpad/ Cycle Size Limitations	21
7.1.4	Individual Channel Disabling	21
7.1.5	Rx/Tx Mapping	21
7.2	Trackpad Outputs	22
7.2.1	Number of Fingers	22
7.2.2	Relative XY	22
7.2.3	Absolute XY	22
7.2.4	Touch Strength	22
7.2.5	Area	22
7.2.6	Tracking Identification	22
7.3	Maximum Number of Multi-touches	22
7.4	XY Resolution	22
7.5	Stationary Touch	22
7.6	Multi-touch Finger Split	23
7.7	XY Output Flip & Switch	23
7.8	XY Position Filtering	23
7.8.1	MAV Filter	23
7.8.2	IIR Filter	23
7.9	X & Y Trim	24
Gestures		
8.1	Single Tap	25
8.2	Press and Hold	25
8.3	Swipe (X-, X+, Y-, Y+)	26
8.4	Switching Between Gestures	26
Hardware Settings		
9.1	Main Oscillator	27
9.2	Charge Transfer Frequency	27
9.3	Reset	27
9.3.1	Reset Indication	27
9.3.2	Software Reset	27
9.3.3	Hardware Reset	27
Additional Features		
10.1	GUI for Parameter Setup	28
10.1.1	Automated Start-up	28
10.1.2	Manual Start-up	28
10.2	Watchdog Timer (WDT)	28
10.3	RF Immunity	29
10.4	Additional Non-Trackpad Channels	29



10.5 Version Information	29
I²C Interface	
11.1 I ² C Module Specification	30
11.2 I ² C Address	30
11.3 I ³ C Compatibility	30
11.4 Memory Map Addressing	30
11.4.1 8-bit Address	30
11.4.2 Extended 16-bit Address	30
11.5 Data	31
11.6 I ² C Timeout	31
11.7 Terminate Communication	31
11.8 RDY/IRQ	31
11.9 Event Mode Communication	31
11.9.1 Events	31
11.9.2 Force Communication/Polling	32
I²C Memory Map - Register Descriptions	
Applications, Implementation and Layout	
13.1 Layout Fundamentals	36
13.1.1 Power Supply Decoupling	36
13.1.2 Transient Signal Management	36
13.1.3 ProxFusion® Peripheral	36
13.1.4 VREG	36
13.1.5 ESD Protection	37
13.1.6 Self-capacitance Electrode Design	37
13.1.7 ATI (Auto Tuning Implementation)	37
Ordering Information	
14.1 Ordering Code	38
14.2 Top Marking	38
14.2.1 WLCSP18 Package	38
14.2.2 QFN20 Package Marking Option 1	38
14.2.3 QFN20 Package Marking Option 2	38
Package Specification	
15.1 Package Outline Description - WLCSP18	39
15.2 Package Outline Description - QFN20	40
15.3 Moisture Sensitivity Levels	40
15.4 Reflow Specifications	40
Memory Map Descriptions	



2 Hardware Connection

2.1 WLCSP18 Pin Diagrams

Table 2.1: 18-pin WLCSP18 Package (Bottom/Ball-side View)

Pin no.	Signal
A5	GPIO6 / MCLR
A3	SCL/ GPIO2
A1	CTx9/CTx10/GPIO0/GPIO3 ⁱ
B4	SDA/GPIO1
B2	CTx11/GPIO4
C5	VDD
C3	RDY/ GPIO5
C1	CTx8
D4	VSS
D2	CRx2/CTx2
E5	VREGD
E3	CRx1/CTx1
E1	CRx6/CTx6
F4	CRx0/CTx0
F2	CRx5/CTx5
G5	VREGA
G3	CRx3/CTx3
G1	CRx7/CTx7

Ball-side View

Top side View

2.2 QFN20 Pin Diagram

Table 2.2: 20-pin QFN Package (Top View)

Pin no.	Signal name	Pin no.	Signal name
1	VDD	11	CRx6
2	VREGD	12	CRx7
3	VSSD & VSSA	13	CTx8
4	VREGA	14	GPIO0
5	CRx0	15	GPIO3
6	CRx1	16	GPIO4
7	CRx2	17	GPIO5
8	CRx3	18	GPIO2
9	CRx4	19	GPIO1
10	CRx5	20	GPIO6

Area name	Signal name
Tab	Ground

ⁱPlease note that CTx9 and CTx10 are connected together in the WLCSP18 package



2.3 Pin Attributes

Table 2.3: Pin Attributes

Pin no.		Signal name	Signal type ⁱⁱ	Buffer type	Power source
WLCSP18	QFN20				
C5	1	VDD	Power	Power	N/A
E5	2	VREGD	Power	Power	N/A
D4	3	VSSA & VSSD	Power	Power	N/A
G5	4	VREGA	Power	Power	N/A
F4	5	CRx0/CTx0	Analog		VREGA
E3	6	CRx1/CTx1	Analog		VREGA
D2	7	CRx2/CTx2	Analog		VREGA
G3	8	CRx3/CTx3	Analog		VREGA
-	9	CRx4/CTx4	Analog		VREGA
F2	10	CRx5/CTx5	Analog		VREGA
E1	11	CRx6/CTx6	Analog		VREGA
G1	12	CRx7/CTx7	Analog		VREGA
C1	13	CTx8	Analog		VREGA
A1	14	GPIO0/CTx9	Digital/Prox		VDD/VREGA
B4	19	SDA/GPIO1	Digital		VDD
A3	18	SCL/GPIO2	Digital		VDD
A1	15	GPIO3/CTx10	Digital/Prox		VDD/VREGA
B2	16	GPIO4/CTx11	Digital/Prox		VDD/VREGA
C3	17	RDY/GPIO5	Digital/Prox		VDD
A5	20	MCLR/GPIO6	Digital		VDD

2.4 Signal Descriptions

Table 2.4: Signal Descriptions

Function	Signal name	Pin no.		Pin type	Description
		WLCSP18	QFN20		
ProxFusion®	CRx0	F4	5	IO	ProxFusion® channel
	CRx1	E3	6	IO	
	CRx2	D2	7	IO	
	CRx3	G3	8	IO	
	CRx4	-	9	IO	
	CRx5	F2	10	IO	
	CRx6	E1	11	IO	
	CRx7	G1	12	IO	
	CTx8	C1	13	IO	
	CTx9/ GPIO0	A1	14	IO	CTx9 pad
	CTx10/GPIO3	A1	15	IO	CTx10 pad
	CTx11/GPIO4	B2	16	IO	CTx11 pad
GPIO	MCLR/ GPIO6	A5	20	IO	Input filter disabled for external clock input. Active pulldown, 200k resistor to VDD,
					Pulled low during POR, and MCLR function enabled by default. VPP input for OTP
I ² C	SDA/GPIO1	B4	19	IO	I ² C Data
	SCL/GPIO2	A3	20	IO	I ² C clock
Power	VDD	C5	1	P	Power supply input voltage
	VREGD	E5	2	P	Internal regulated supply output for digital domain
	VSSA/VSSD	D4	3	P	Analog/Digital Ground
	VREGA	G5	4	P	Internal regulated supply output for analog domain

ⁱⁱSignal Types: I = Input, O = Output, I/O = Input or Output



2.5 Reference Schematic

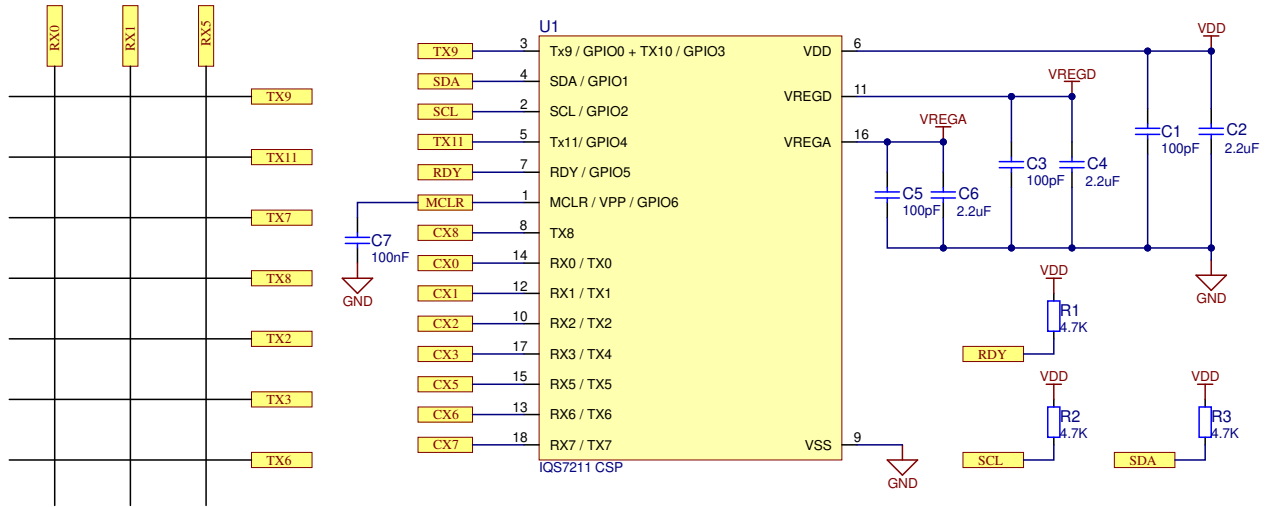


Figure 2.1: Reference Trackpad Schematic: 7x3 Pattern



3 Electrical Characteristics

3.1 Absolute Maximum Ratings

Table 3.1: Absolute Maximum Ratings

	Min	Max	Unit
Voltage applied at VDD pin to VSS	1.71	3.5	V
Voltage applied to any ProxFusion® pin	-0.3	VREG	V
Voltage applied to any other pin (referenced to VSS)	-0.3	VDD + 0.3 (3.5V max)	V
Storage temperature, T _{stg}	-40	85	°C

3.2 ESD Rating

Table 3.2: ESD Rating

	Value	Unit
V _(ESD) Electrostatic discharge	Human-body model (HBM), per ANSI/ESDA/JEDEC JS-001 ⁱ	± 4000 V

3.3 Recommended Operating Conditions

Table 3.3: Recommended Operating Conditions

Recommended operating conditions		Min	Nom	Max	Unit
VDD	Supply voltage applied at VDD pin: F _{OSC} = 14MHz F _{OSC} = 18MHz	1.71 2.2		3.5 3.5	V
VREGA	Internal regulated supply output for analog domain: F _{OSC} = 14MHz F _{OSC} = 18MHz		1.53 1.75		V
VREGD	Internal regulated supply output for digital domain: F _{OSC} = 14MHz F _{OSC} = 18MHz		1.59 1.8		V
VSS	Supply voltage applied at VSS pin		0		V
T _A	Operating free-air temperature	-40	25	85	°C
C _{VDD}	Recommended capacitor at VDD	1	2	10	μF
C _{VREGA}	Recommended external buffer capacitor at VREG, ESR ≤ 200mΩ	1	2	10	μF
C _{VREGD}	Recommended external buffer capacitor at VREG, ESR ≤ 200mΩ	1	2	10	μF
C _{X_SELF-VSS}	Maximum capacitance between ground and all external electrodes on all ProxFusion® blocks (self-capacitance mode)	1	-	400 ⁱⁱ	pF
C _{m_CTX-CRX}	Capacitance between Receiving and Transmitting electrodes on all ProxFusion® blocks (mutual-cap mode)	0.2	-	9 ⁱⁱ	pF
C _{p_CRX-VSS-1M}	Maximum capacitance between ground and all external electrodes on all ProxFusion® blocks (mutual-capacitance mode @ f _{xfer} =1MHz)			100 ⁱⁱ	pF
C _{p_CRX-VSS-4M}	Maximum capacitance between ground and all external electrodes on all ProxFusion® blocks (mutual-capacitance mode @ f _{xfer} =4MHz sensing)			25 ⁱⁱ	pF
$\frac{C_{p_{CRX-VSS}}}{C_{m_{CTX-CRX}}}$	Capacitance ratio for optimal SNR in mutual capacitance mode ⁱⁱⁱ	10		20	n/a
RC _{X_CRX/CTX}	Series (in-line) resistance of all mutual capacitance pins (Tx & Rx pins) in mutual capacitance mode	0 ^{iv}	0.47	10 ^v	kΩ
RC _{X_SELF}	Series (in-line) resistance of all self capacitance pins in self capacitance mode	0 ^{iv}	0.47	10 ^v	kΩ



3.4 Current Consumption

The specific parameters configured on varying designs have a great impact on the obtained current consumption. Due to this, the following table is purely illustrative of the expected consumption for similar configurations. The device configurations used below are examples of practical setups expected in applications.

Table 3.4: Current Consumption

Power mode	Active channels	Report rate (Sampling rate) [ms]	Current [μ A]
Active Mode ^{vi}	Trackpad - (30 Channel)	10	1320
Idle Mode	Trackpad - (30 Channel)	50	190
Low Power 1 ^{vii}	Wake-up on trackpad	100	8
Low Power 2 ^{viii}	Wake-up on trackpad	200	4

ⁱJEDEC document JEP155 states that 500-V HBM allows safe manufacturing with a standard ESD control process. Pins listed as ± 4000 V may actually have higher performance.

ⁱⁱRCx = 0 Ω

ⁱⁱⁱPlease note that the the maximum values for Cp and Cm are subject to this ratio

^{iv}Nominal series resistance of 470 Ω is recommended to prevent received and emitted EMI effects. Typical resistance also adds additional ESD protection

^vSeries resistance limit is a function of f_{xfer} and the circuit time constant, RC. $R_{max} \times C_{max} = \frac{1}{(6 \times f_{xfer})}$ where "C" is the pin capacitance to Vss.

^{vi}Configured as a 5x6 trackpad; ATI Target of 300 counts; 1.4MHz conversion frequency; 14MHz main osc; 1 finger touch (8mm diameter) active / streaming data 0x10 - 0x1B

^{vii}Configured with ATI Target of 200 counts; 5 Rxs and 3 TxS active; 4 auto-prox cycles; 1.4MHz conversion frequency; 14MHz main osc; No user interaction / No comms (event mode)

^{viii}Configured with ATI Target of 200 counts; 5 Rxs and 3 TxS active; 32 auto-prox cycles; 1.4MHz conversion frequency; 14MHz main osc; No user interaction / No comms (event mode)

4 Timing and Switching Characteristics

4.1 Reset Levels

Table 4.1: Reset Levels

Parameter		Min	Typ	Max	Unit
V_{VDD}	Power-up/down level (Reset trigger) - slope >100V/s	1.040	1.353	1.568	V
V_{VREG}	Power-up/down level (Reset trigger) - slope >100V/s	0.945	1.122	1.304	V

4.2 MCLR Pin Levels and Characteristics

Table 4.2: MCLR Pin Characteristics

Parameter		Conditions	Min	Typ	Max	Unit
$V_{IL(MCLR)VDD_HI}$	MCLR Input high level voltage	VDD = 3.3V	VSS-0.3	-	1.05	V
$V_{IL(MCLR)VDD_LOW}$	MCLR Input low level voltage	VDD = 1.7V	VSS-0.3	-	0.75	V
$V_{IH(MCLR)VDD_HI}$	MCLR Input high level voltage	VDD = 3.3V	2.25	-	VDD_HI+0.3	V
$V_{IH(MCLR)VDD_LOW}$	MCLR Input high level voltage	VDD = 1.7V	1.05	-	VDD_LOW+0.3	V
$R_{PU(MCLR)}$	MCLR pull-up equivalent resistor		180	210	240	kΩ
$t_{PULSE(MCLR)}$	MCLR input pulse width - no trigger	VDD = 3.3V	-	-	15	ns
$t_{PULSE(MCLR)}$	MCLR input pulse width - no trigger	VDD = 1.7V	-	-	10	ns
$t_{TRIG(MCLR)}$	MCLR input pulse width - ensure trigger	VDD = 3.3V, VDD = 1.7V	250	-	-	ns

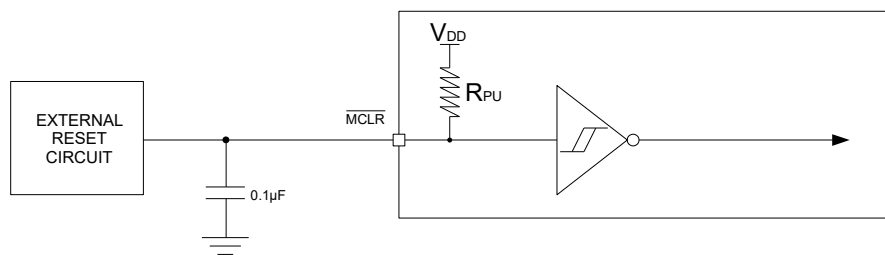


Figure 4.1: MCLR Pin Diagram

4.3 Miscellaneous Timings

Table 4.3: Miscellaneous Timings

Parameter		Min	Typ	Max	Unit
f_{xfer}	Charge transfer frequency (derived from f_{SYS})	42	500-1500	5000	kHz
f_{OSC}	Master CLK frequency tolerance 14MHz	13.23	14	14.77	MHz
f_{OSC}	Master CLK frequency tolerance 18MHz	17.1	18	19.54	MHz



4.4 Digital I/O Characteristics

Table 4.4: Digital I/O Characteristics

Parameter	Test Conditions	Min	Typ	Max	Unit
V _{OL}	GPIO1 & GPIO2 Output low voltage	I _{sink} = 20mA		0.3	V
V _{OL}	GPIO0,3,4,5 Output low voltage	I _{sink} = 10mA		0.15	V
V _{OH}	Output high voltage	I _{source} = 20mA	VDD - 0.2		V
V _{IL}	Input low voltage		VDD * 0.3		V
V _{IH}	Input high voltage			VDD * 0.7	V
C _{b_max}	GPIO1 & GPIO2 maximum bus capacitance			550	pF

4.5 I²C Characteristics

Table 4.5: I²C Characteristics

Parameter	Test Conditions	VDD	Min	Typ	Max	Unit
f _{SCL}	SCL clock frequency	1.8V, 3.3V			1000	kHz
t _{HD,STA}	Hold time (repeated) START	1.8V, 3.3V	0.26			μs
t _{SU,STA}	Setup time for a repeated START	1.8V, 3.3V	0.26			μs
t _{HD,DAT}	Data hold time	1.8V, 3.3V	0			ns
t _{SU,DAT}	Data setup time	1.8V, 3.3V	50			ns
t _{SU,STO}	Setup time for STOP	1.8V, 3.3V	0.26			μs
t _{SP}	Pulse duration of spikes suppressed by input filter	1.8V, 3.3V	50			ns

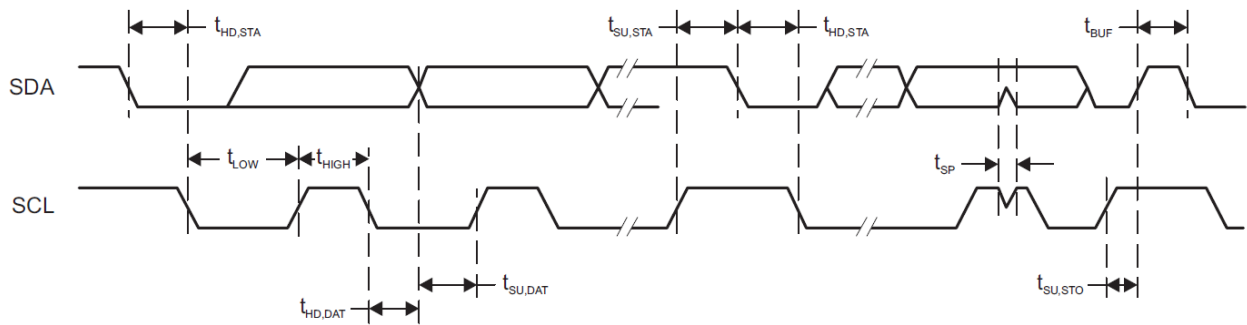


Figure 4.2: I²C Mode Timing Diagram



5 ProxFusion® Module

The IQS7211A contains a ProxFusion® module that uses patented technology to measure and process the capacitive sensor data. The channel touch output is the primary output from the sensors. These are processed further to provide secondary trackpad outputs that include finger position, finger size as well as on-chip gesture recognition.

5.1 Trackpad Channels

On a trackpad sensor (typically a diamond shape pattern), each intersection of an Rx and Tx row/column forms a projected-capacitive sensing element which is referred to as a *channel*. Each channel has an associated count value, reference value and touch status.

5.1.1 Channel Numbers

Trackpad channels are numbered from 0 to $(TotalRxs * TotalTxes) - 1$. They are assigned from the top-left corner, first along the Rxs before stepping to the next Tx. The channel number must be known for some settings such as allocating channels into sensing cycles (timeslots). Here is an example of a 4x3 trackpads' channel numbers:

Table 5.1: Channel Number Assignment

	Rx0 (Column 0)	Rx4 (Column 1)	Rx1 (Column 2)	Rx5 (Column 3)
Tx8 (Row 0)	0	1	2	3
Tx10 (Row 1)	4	5	6	7
Tx2 (Row 2)	8	9	10	11

5.2 Alternate Low-Power Channel (ALP)

To provide lower power consumption, LP1 and LP2 are configured to utilise a single custom sensor, instead of sensing the trackpad channels. This channel has a lot of setup flexibility:

- > *Sensing method*: projected capacitive or self-capacitive (*Self or Proj*).
- > *Multiple electrode selection*: which Rxs (*Rx EN*) / Txes (*ALP Tx Enable*) are active during conversions.
- > *Auto-prox*: autonomous sensing cycles while core is asleep (*LPX Auto Prox Cycles*) giving further power saving, but similar wake-up capability.
- > *Count value filtering (ALP Filter)*: gives reliable proximity detection in noisy environments.
- > *Single channel*: since the alternate channel is processed as only a single channel, much less processing is done, allowing for lower overall power consumption.

5.3 Count Value

The capacitive sensing measurement returns a *count value* for each channel. Count values are inversely proportional to capacitance, and all outputs are derived from this.

5.3.1 Trackpad Count Values

The individual trackpad channel count values (*Count values*) are unfiltered.



5.3.2 ALP Count Values

If Rx's from both prox engine A and B are enabled, there will be two count measurements (*ALP count A/B*). To reduce processing time (and thus decrease current consumption) the measurements are added together (*ALP count value*) and processed as a single channel. A count value filter is implemented on this channel to give stable proximity output for system wake-up from low-power mode. It is recommended to leave this count filter enabled (*ALP Filter*) The amount of filtering can be modified (*ALP count beta*) if required. This beta is used as follows to determine the damping factor of the filter:

$$\text{Count damping factor} = \text{Beta}/156$$

If the beta is small, the filtering is stronger, and if the beta is larger, the filtering is weaker.

5.3.3 Max Count

Each channel is limited to having a count value smaller than the configurable limit (*Max Count*). If the ATI setting or hardware causes measured count values higher than this, the conversion will be stopped, and the max value will be read for that relevant count value.

5.3.4 Delta Value

The signed delta values (*Delta Values*) are simply:

$$\text{Delta} = \text{Count} - \text{Reference}$$

5.4 Reference Value/Long-Term Average (LTA)

User interaction is detected by comparing the measured count values to some reference value. The reference value/LTA of a sensor is slowly updated to track changes in the environment and is not updated during user interaction.

5.4.1 Trackpad References

The trackpad *reference values* are a two-cycle average of the count value, stored during a time of no user activity, and thus is a non-affected reference. The trackpad reference values are only updated from LP1 and LP2 mode when modes are managed automatically, where no user interaction is assumed. Thus, if the system is controlled manually, the reference must also be managed and updated manually by the host.

The reference value is updated or refreshed according to a configurable interval (*Reference update time*), in seconds.

5.4.2 ALP Long-Term Average

The ALP channel does not have a snapshot reference value as used on the trackpad but utilises a filtered long-term average value (*ALP LTA*). The LTA tracks the environment closely for accurate comparisons to the measured count value, to allow for small proximity deviations to be sensed. The speed of LTA tracking can be adjusted with the *ALP LTA beta*. There is a beta for LP1 and LP2. This is to allow different settings for different report rates, so that the speed of LTA tracking can remain the same.



5.4.3 Reseed

Since the *Reference* (or *LTA* for ALP channel) is critical for the device to operate correctly, there could be known events or situations which would call for a manual reseed. A reseed takes the latest measured counts, and seeds the *reference/LTA* with this value, therefore updating the value to the latest environment. A reseed command can be given by setting the corresponding bit (*TP Reseed* or *ALP Reseed*).

5.5 Channel Outputs

5.5.1 Trackpad Touch Output

The trackpad touch output (*Touch status*) is set when a channel's count value increases by more than the selected threshold.

The touch threshold for a specific channel is calculated as follows:

$$\text{Threshold} = \text{Reference} \times (1 + \frac{\text{Multiplier}}{128})$$

where *Multiplier* is an 8-bit unsigned value for both the 'set' and 'clear' threshold, allowing a hysteresis to provide improved touch detection. A smaller fraction will thus be a more sensitive threshold.

5.5.2 ALP Output

This output (*ALP Output*) is set when a channel's count value deviates from the LTA value by more than the selected threshold - thus a delta setting (*ALP threshold*). This can be used to implement a proximity or touch detection, depending on the threshold used.

5.5.3 Output Debounce

There is no debounce on the touch detection (or release). This is because debouncing adds too much delay, and fast movements on the touch panel cannot be debounced fast enough to provide reliable XY output data.

Debounce on the ALP output is however done, to allow for stable proximity detection if needed. An 8-bit unsigned value is used for the set and clear debounce parameter (*ALP set/clear debounce*).

5.6 Automatic Tuning Implementation (ATI)

The ATI is a sophisticated technology implemented in the new ProxFusion® devices to allow optimal performance of the devices for a wide range of sensing electrode capacitances, without modification to external components. The ATI settings allow tuning of various parameters.

The main advantage of the ATI is to balance out small variations between trackpad hardware and IQS7211A variation, to give similar performance across devices and temperature.

For a detailed description of ATI, please see the [application note](#).

5.6.1 ATI Coarse Divider/ Multiplier

The *ATI coarse divider / multiplier* can be used to configure the base value for the trackpad (and ALP channel). The trackpad channels all use the same global parameter. The divider is a 5-bit setting (0-31) and the multiplier a 4-bit setting (0-15).



5.6.2 ATI Fine Divider

The *ATI fine divider* is also used to configure the trackpad and ALP base value. The trackpad channels also use the same global parameter. The divider is a 5-bit setting (0-31).

5.6.3 ATI Compensation (and ATI Target)

The ATI Compensation value for each channel (*ATI compensation / ALP ATI compensation*) is set by the ATI procedure, and are chosen so that each count value is close to the selected target value (*ATI target / ALP ATI target*). The algorithm is queued using *ReATI / ALP ReATI*.

The *ReATI / ALP ReATI* bits clear automatically on chip when the algorithm has completed.

The queued Re-ATI routine will execute as soon as the corresponding channels are sensed. For example, the TP_ReATI when the system is in Active, Idle-Touch or Idle mode, and the ALP ReATI when the system is in LP1 or LP2.

The ALP channel has individual compensation values (*ALP ATI compensation*) for both proximity engines A (Rx0-3) and B (Rx4-7).

The ALP ATI target value applies to each of the individual count values configured for the ALP channel. The combined channel will thus have a count near the sum of the ATI target.

This routine will only execute after the communication window is terminated, and the I²C communication will only resume once the ATI routine has completed.

ATI compensation is 10-bit value, thus 0 to 1023.

5.6.4 ATI Divider

The ATI Compensation can be scaled by means of the *ATI compensation divider*. Since the 'size' of compensation is scaled, a small divider value will relate to large compensation, meaning the step size of each compensation unit increase will be larger. For smaller more accurate compensation steps, a larger divider is selected, but the 'range' of compensation is then reduced.

5.7 Automatic Re-ATI

5.7.1 Description

When enabled (*ReATI EN or ALP ReATI EN*) a Re-ATI will be triggered if certain conditions are met. One of the most important features of the Re-ATI is that it allows easy and fast recovery from an incorrect ATI, such as when performing ATI during user interaction with the sensor. This could cause the wrong ATI Compensation to be configured, since the user affects the capacitance of the sensor. A Re-ATI would correct this. It is recommended to always have this enabled. When a Re-ATI is performed on the IQS7211A, a status bit will set momentarily to indicate that this has occurred (*ReATI Occurred / ALP ReATI Occurred*).

5.7.2 Conditions for Re-ATI to activate

1. Reference drift

A Re-ATI is performed when the reference of a channel drifts outside of the acceptable range around the ATI Target. The boundaries where Re-ATI occurs for the trackpad channels and for the ALP



channels are independently set via the drift threshold value (*Reference drift limit / ALP LTA drift limit*). The Re-ATI boundaries are calculated from the delta value as follows:

$$\text{Re-ATI Boundary} = \text{ATI target} \pm \text{Drift limit}$$

For example, assume that the ATI target is configured to 800 and that the reference drift value is set to 50. If Re-ATI is enabled, the ATI algorithm will be repeated under the following conditions:

$$\text{Reference} > 850 \text{ or Reference} < 750$$

The ATI algorithm executes in a short time, so goes unnoticed by the user.

2. Decreased Count Value

A considerable decrease in the count value of a channel is abnormal since user interaction increases the count value. Therefore, if a decrease larger than the configurable threshold (Minimum count Re-ATI delta) is seen on such a channel, it is closely monitored. If this is continuously seen for 15 cycles, it will trigger a Re-ATI.

5.7.3 ATI Error

After the ATI algorithm is performed, a check is done to see if there was any error with the algorithm. An ATI error is reported if one of the following is true for any channel after the ATI has completed:

- > ATI Compensation = 0 (min value)
- > ATI Compensation = 1023 (max value)
- > Count is already outside the Re-ATI range upon completion of the ATI algorithm

If any of these conditions are met, the corresponding error flag will be set (*ATI Error / ALP ATI Error*). The flag status is only updated again when a new ATI algorithm is performed.

Re-ATI will not be repeated immediately if an ATI Error occurs. A configurable time (*Re-ATI retry time*) will pass where the Re-ATI is momentarily suppressed. This is to prevent the Re-ATI repeating indefinitely. An ATI error should however not occur under normal circumstances.



6 Sensing Modes

The IQS7211A automatically switches between different charging modes dependent on user interaction and other aspects. This is to allow for fast response, and low power consumption when applicable. The current mode can be read from the device (*Charging Mode*).

The modes are best illustrated by means of the following state diagram.

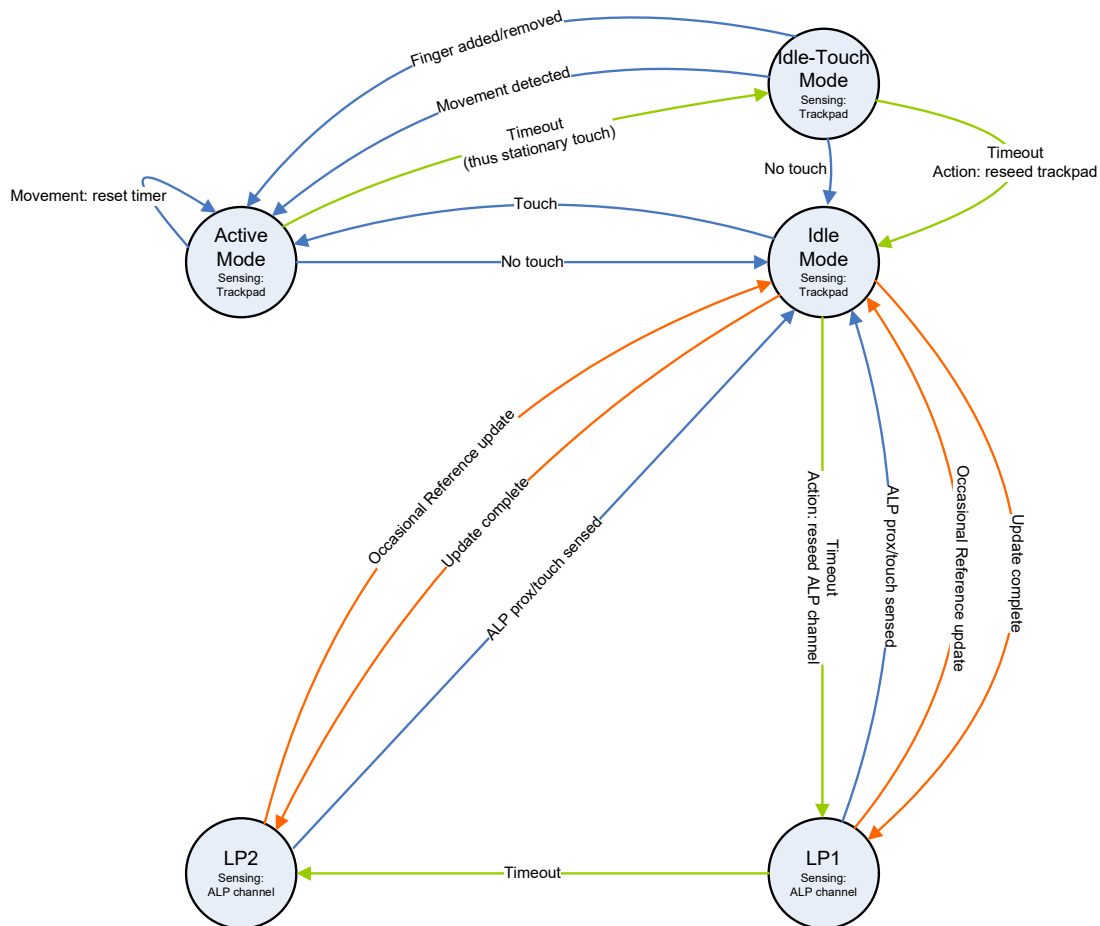


Figure 6.1: System Mode State Diagram

6.1 Report Rate

The report rate for each mode can be adjusted as required by the design. A faster report rate will have a higher current consumption but will give faster response to user interaction. *Active mode* typically has the fastest report rate, and the other modes are configured according to the power budget of the design, and the expected response time.

The report rate is configured by selecting the cycle time (in milliseconds) for each mode:

- > Report rate Active mode
- > Report rate Idle touch mode
- > Report rate Idle mode
- > Report rate LP1 mode



> Report rate LP2 mode

6.2 Mode Timeout

The timeout values can be configured, and once these times have elapsed, the system will change to the next state according to the state diagram. These times are adjusted by selecting a desired value (in seconds), for the specific timeout:

- > Timeout - Active mode
- > Timeout - Idle touch mode
- > Timeout - Idle mode
- > Timeout - LP1 mode

A timeout value of 0 will result in a 'never' timeout condition.

6.3 Manual Control

The default method allows the IQS7211A to automatically switch between modes and update reference values as shown in Figure 6.1. This requires no interaction from the master to manage the device.

The master can manage various states and implement custom power modes when Manual Control is enabled. The master needs to control the mode (Mode Select), and also manage the reference values by reseeding (TP Reseed) or manually writing to the reference registers (Reference values).



7 Trackpad

7.1 Configuration

7.1.1 Size Selection

The total number of Rx and Tx channels used for trackpad purposes must be configured (*Total Rxs/Total Tx*s). This gives a rectangular area of channels, formed by rows and columns of Rx and Tx sensors.

7.1.2 Cycle Setup

The trackpad channels need to be packed into cycles. The Azoteq PC GUI can be used to assist with this setup. Each cycle can simultaneously sense one channel from Prox block A (Rx0-3) and one from Prox block B (Rx4-7). They must be for the same Tx, and the channel numbers are packed into the cycle numbers (*Cycle allocation registers*) accordingly. A value of 255 for the channel number indicates no conversion is allocated.

It is best to select the Rxs as the even numbered sensors, so that optimal cycles/timeslot usage occurs. Similarly, a balanced number of sensors from A and B are optimal.

7.1.3 Trackpad/ Cycle Size Limitations

This product is limited to 32 channels, and 18 cycles. Any trackpad size that fits into these limits are possible to implement. Refer to Table 1.3 for more information.

7.1.4 Individual Channel Disabling

If the sensor is not a complete rectangle (this could be due to mechanical cut-outs or trackpad shape), there will be some channels that fall within the *Total Rxs/Total Tx*s rectangle but do not exist. They must simply not be allocated to a sensing cycle (see Section 7.1.2). The channel numbers are however still allocated for the complete rectangle (see Section 5.1.1).

7.1.5 Rx/Tx Mapping

The Rxs and Tx's of the trackpad can be assigned to the trackpad in any order to simplify PCB layout and design. The *Rx/Tx mapping* configures which actual Rx and Tx electrodes are used for the trackpad. The Rxs are specified first, up until the number of Rxs as defined by the *Total Rxs*, then the Tx's follow immediately.

Following the example in Table 5.1, the *Rx/Tx mapping* settings will be as follows:

```
RxTxMapping[0] = 0  
RxTxMapping[1] = 4  
RxTxMapping[2] = 1  
RxTxMapping[3] = 5  
RxTxMapping[4] = 8  
RxTxMapping[5] = 10  
RxTxMapping[6] = 2  
RxTxMapping[7..12] = n/a
```



7.2 Trackpad Outputs

The channel count variation (deltas) and touch status outputs are used to calculate finger location data.

7.2.1 Number of Fingers

This gives an indication of the number of active finger inputs on the trackpad (No of fingers).

7.2.2 Relative XY

If there is only one finger active, a Relative X and Relative Y value is available. This is a signed 2's complement 16-bit value. It is a delta of the change in X and Y, in the scale of the selected output resolution.

7.2.3 Absolute XY

For all the multi-touch inputs, the absolute finger position (Absolute X/Y), in the selected resolution (Resolution X/Y) of the trackpad, is available.

7.2.4 Touch Strength

This value (Touch strength) indicates the strength of the touch by giving a sum of all the deltas associated with the finger, and therefore varies according to the sensitivity setup of the sensors.

7.2.5 Area

The number of channels associated with a finger is provided here. This area is usually equal to or smaller than the number of touch channels under the finger.

7.2.6 Tracking Identification

The fingers are tracked from one cycle to the next, and the same finger will be in the same position in the memory map. The memory location thus identifies the finger.

7.3 Maximum Number of Multi-touches

The maximum number of allowed multi-touches is configurable (Max multi-touches) up to 2 points. If more than the selected value is sensed, a flag is set (Too Many Fingers) and the XY data is cleared.

7.4 XY Resolution

The output resolution for the X and Y coordinates are configurable (X/Y Resolution). The on-chip algorithms use 256 points between each row and column. The resolution is defined as the total X and total Y output range across the complete trackpad.

7.5 Stationary Touch

A stationary touch is defined as a point that does not move outside of a certain boundary within a specific time. This movement boundary or threshold can be configured (Stationary touch movement threshold) and is defined as a movement in either X or Y in the configured resolution.



The device will switch to *Idle-Touch* mode when a stationary point is detected for the active mode timeout period, where a lower duty cycle can be implemented to save power in applications where long touches are expected.

If movement is detected, a status flag (*TP Movement*) is set.

7.6 Multi-touch Finger Split

The position algorithm looks at areas (polygons) of touches and calculates positional data from this. Two fingers near each other could have areas touching, which would merge them incorrectly into a single point. A finger split algorithm is implemented to separate these merged polygons into multiple fingers. There is a *Finger split factor* which can be adjusted to determine how aggressive this finger splitting must be implemented. A value of '0' will not split polygons, and thus merge any fingers with touch channels adjacent (diagonally also) to each other.

7.7 XY Output Flip & Switch

By default, X positions are calculated from the first column to the last column. Y positions are by default calculated from the first row to the last row. The X and/or Y output can be flipped (*Flip X / Flip Y*), to allow the [0, 0] co-ordinate to be defined as desired. The X and Y axes can also be switched (*Switch XY Axis*) allowing X to be the Tx's, and Y to be along the Rx's. *Note: The channel numbers are still assigned the same way, first along the Rx's, then to the next Tx, it is not affected by this setting.*

7.8 XY Position Filtering

Stable XY position data is available due to two on-chip filters, namely the Moving Average (MAV) filter, and the Infinite Impulse Response (IIR) filter. The filters are applied to the raw positional data. It is recommended to keep both filters enabled for optimal XY data.

7.8.1 MAV Filter

If enabled (*MAV Filter*), raw XY points from the last two cycles are averaged to give the filter output.

7.8.2 IIR Filter

The IIR filter, if enabled (*IIR Filter*), can be configured to select between a dynamic and a static filter (*IIR Static*).

Damping factor = Beta / 256

Dynamic Filter

Relative to the speed of movement of a co-ordinate, the filter dynamically adjusts the amount of filtering (damping factor) performed. When fast movement is detected, and quick response is required, less filtering is done. Similarly, when a co-ordinate is stationary or moving at a slower speed, more filtering can be applied.

The damping factor is adjusted depending on the speed of movement. Three of these parameters are adjustable to fine-tune the dynamic filter if required (*XY dynamic bottom beta / XY dynamic lower speed / XY dynamic upper speed*).



The speed is defined as the distance (in the selected resolution) travelled in one cycle (pixels/cycle).

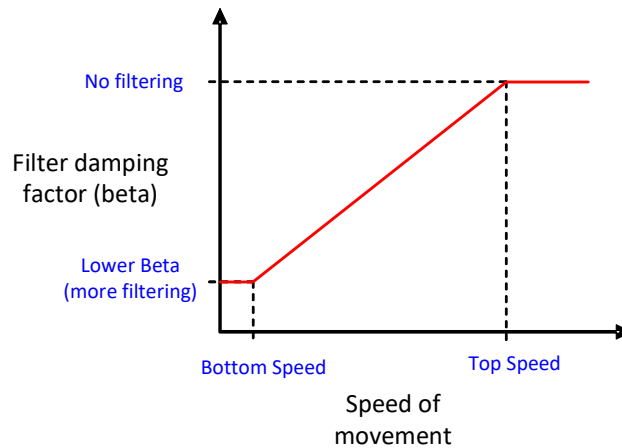


Figure 7.1: Dynamic Filter Parameters

Static Filter

Co-ordinates filtered with a fixed but configurable damping factor (*XY static beta*) are obtained when using the static filter (*IIR Static*). It is recommended that the dynamic filter is used due to the advantages of a dynamically changing damping value.

7.9 X & Y Trim

Due to boundary conditions at the edges of the trackpad, it is unlikely that the X and Y extreme values will be achievable (0 and X/Y Resolution). To be able to achieve this, the edges can be trimmed with configurable amount (*X Trim / Y Trim*) on-chip. For example, say *X Trim* is set to 0, and a finger on the left of the trackpad gives a minimum X output of 48, and a maximum of 960 for a finger to the far right (for X resolution set to 1000). Then an *X Trim* = 50 could be used to trim away the 'dead' area, and the full 0 to 1000 range will be achievable.



8 Gestures

The following on-chip gestures are available:

- > 1 finger gestures (*Gestures*)
 - A single tap
 - A press and hold
 - Swipe X+
 - Swipe X-
 - Swipe Y+
 - Swipe Y-

Each single finger gesture can individually be enabled and disabled by setting or clearing the corresponding bits in the register *Gesture Enable*.

All gestures are calculated relative to their starting coordinates, i.e., the first coordinate at which the touch was detected. Furthermore, if at any time during a gesture, more than the required number of touches is detected, the gesture will be invalidated.

8.1 Single Tap

The single tap gesture requires that a touch is made and released in the same location and within a short period of time. Some small amount of movement from the initial coordinate must be allowed to compensate for shift in the finger coordinate during the release. This bound is defined in register *Tap distance*, which specifies the maximum deviation in pixels the touch can move before a single tap gesture is no longer valid.

Similarly, the *Tap time* register defines the maximum duration (in ms) that will result in a valid gesture. That is, the touch should be released before the time in *Tap time* is reached.

A valid single tap gesture will be reported (*Single Tap*) in the same processing cycle as the touch release was detected and will be cleared on the next cycle. No movement will be reported in the relative XY registers (*Relative X* and *Relative Y*) during this gesture

Since the gesture reports after the finger is removed, the location of the tap gesture is placed in the *Absolute X/Y* registers of finger 1 at this time. With *No of fingers* set to 0, this will not look like an active finger, and is just a repetition of the location of the tap that has occurred for the main controller to utilise.

8.2 Press and Hold

The same register that defines the bounds for the single tap gesture (*Tap distance*) is used for the press and hold gesture. If the touch deviates more than the specified distance, the gesture is no longer valid. However, if the touch remains within the given bound for longer than the period (in ms), defined as the sum of the register values in *Tap time* and *Hold time*, a press and hold gesture will be reported (*Press and hold*). The gesture will continue to be reported until the touch is released or if a second touch is registered.

No data will be reported in *Relative X* and *Relative Y* before the defined maximum hold period is reached, however, the relative data will be reported thereafter. This allows for features such as drag-n-drop.



8.3 Swipe (X-, X+, Y-, Y+)

All four swipe gestures work in the same manner and are only differentiated in their direction. The direction is defined with respect to the origin (0, 0) of the trackpad (Channel 0). If the touch is moving away from the origin, it is considered a positive swipe (+) and if it is moving towards the origin, it is a negative swipe (-). Whether the swipe is of the type X or Y is defined by which axis the touch is moving approximately parallel to. A swipe gesture event is only reported when a moving touch meets all three of the following conditions:

1. A minimum distance is travelled from its initial coordinates, as defined in pixels by the value in registers Swipe x distance and Swipe y distance.
2. The distance in (1) is covered within the time specified in Swipe time (in ms).
3. The angle of the swipe gesture, as determined by its starting coordinate and the coordinate at which conditions (1) and (2) were first met, does not exceed the threshold in Swipe angle with regards to at least 1 of the axes. The value in register Swipe angle is calculated as $64 \tan\theta$, where θ is the desired angle (in degrees).

The respective swipe gesture will be reported for 1 cycle (Swipe X-, X+, Y- Y+) when all these conditions are met. The relative distance travelled will be reported in registers Relative X and Relative Y throughout.

8.4 Switching Between Gestures

For all single finger gestures, it is necessary to release all touches before any new gesture can be made and validated.



9 Hardware Settings

Settings specific to hardware and the ProxFusion® Module charge transfer characteristics can be changed.

Below some are described, the other hardware parameters are not discussed as they should only be adjusted under guidance of Azoteq support engineers.

9.1 Main Oscillator

The main oscillator frequency can be configured to 14MHz or 18MHz (*14MHz/18MHz*). When 18MHz is selected the minimum VDD allowed increases, please see Section 3.3 for details.

Smaller adjustments to incrementally decrease the main oscillator can be made (*Main Osc Adj*).

9.2 Charge Transfer Frequency

The charge transfer frequency (f_{xfer}) can be configured using the product GUI, and the relative parameters (*Charge Transfer Frequency*) will be provided. For high resistance sensors (such as ITO), it might be needed to decrease f_{xfer} .

9.3 Reset

9.3.1 Reset Indication

After a reset, the *Show Reset* bit will be set by the system to indicate the reset event occurred. This bit will clear when the master sets the *Ack Reset*, if it becomes set again, the master will know a reset has occurred, and can react appropriately.

9.3.2 Software Reset

The IQS7211A can be reset by means of an I²C command (*SW Reset*).

9.3.3 Hardware Reset

The MCLR/GPIO6 pin (active LOW) can be used to reset the device. For more details see Section 4.2.



10 Additional Features

10.1 GUI for Parameter Setup

The Azoteq product GUI can be utilised to configure the optimal settings required for the specific hardware. The device performance can be easily monitored and evaluated in the graphical environment until the optimal configuration is obtained. Once these parameters have been finalised, there are two options for production, namely to program the IC with the firmware integrated with the specific settings/parameters, or to use a default configured IC and then perform the device setup over I²C after power-up.

10.1.1 Automated Start-up

If the IC is programmed with the application firmware bundled with settings specifically configured for the current hardware, then an automated start-up is achieved. These parameters are used as the default values without requiring any setup from the master. After power-up the device will automatically use the settings and perform the configuration/setup accordingly.

The firmware with design specific defaults can be obtained from the GUI by configuring the device and then exporting a HEX file. This file is then used to program the blank IQS721xy device. For large volume orders Azoteq can provide pre-programmed devices with customer specific firmware.

Two bytes (*Settings version number*) are available so that the designer can label and identify the user selected default start-up settings. This allows the master to verify if the device firmware has the intended configuration as required.

10.1.2 Manual Start-up

If the device is not programmed with customer specific settings, then they need to be configured by the master via I²C. The parameters can still be obtained using the GUI, but then these need to be configured in the memory map accordingly.

The device will thus be programmed with defaults not necessarily applicable to the current application. It is recommended that the whole memory map is overwritten to be sure all settings are as intended. Once this has been done set the Re-ATI bits for the trackpad and ALP channel, so that the ATI can be executed on the intended settings.

10.2 Watchdog Timer (WDT)

A software watchdog timer is implemented to improve system reliability.

The working of this timer is as follows:

- > A software timer t_{WDT} is linked to the LFTMR (Low frequency timer) running on the "always on" Low Frequency Oscillator (10 kHz).
- > This timer is reset at a strategic point in the main loop.
- > Failing to reset this timer will cause the appropriate ISR (interrupt service routine) to run.
- > This ISR performs a software triggered POR (Power on Reset).
- > The device will reset, performing a full cold boot.



10.3 RF Immunity

The IQS7211A has immunity to high power RF noise. To improve the RF immunity, extra decoupling capacitors are suggested on V_{REGA} , V_{REGD} and V_{DD} .

Place a 100pF in parallel with the 2.2μ F ceramic on V_{REGA} , V_{REGD} and V_{DD} . All decoupling capacitors should be placed as close as possible to the V_{DD} and V_{REG} pads.

If needed, series resistors can be added to Rx electrodes to reduce RF coupling into the sending pads. Normally these are in the range of 470Ω - $1k\Omega$. PCB ground planes also improve noise immunity.

10.4 Additional Non-Trackpad Channels

Unused projected capacitance channels can be used to design additional buttons or sliders. Note that the channels will still provide XY data output, which can be ignored (or utilised) by the master.

10.5 Version Information

See Table A.1



11 I²C Interface

11.1 I²C Module Specification

The device supports a standard two wire I²C interface with the addition of an RDY (ready interrupt) line. The communications interface of the IQS7211A supports the following:

- > *Fast-mode-plus* standard I²C up to 1MHz.
- > Streaming data as well as event mode.
- > The master may address the device at any time. If the IQS7211A is not in a communication window, address polling will be acknowledged immediately with minimal clock stretching.
- > The provided interrupt line (RDY) is an open-drain active low implementation and indicates a communication window.

The IQS7211A implements 8-bit addressing with 2 bytes at each address. Two consecutive read/writes are required in this memory map structure. The two bytes at each address will be referred to as "byte 0" and "byte 1".

11.2 I²C Address

The order codes: IQS7211A has a fixed I²C address of 0x56.
Other address options exist on special request. Please contact Azoteq.

11.3 I³C Compatibility

This device is not compatible with an I³C bus due to clock stretching allowed for data retrieval.

11.4 Memory Map Addressing

11.4.1 8-bit Address

Most of the memory map implements an 8-bit addressing scheme for the required user data. For all application requirements this should be adequate.

11.4.2 Extended 16-bit Address

For development purposes larger blocks of data (such as the trackpad 16-bit channel count values) are found in an extended 16-bit memory addressable location. It is possible to only address each Block as an 8-bit address, and then continue to clock into the next address locations. For example, address 0xE000 is where the trackpad count values are located. If you thus do the following, you will read the count values from address 0xE000 to 0xE003:

**START→S_ADR(W)→0xE0 (addr high-byte)→REPEAT-START→S_ADD(R)→DATA @ 0xE000
→DATA @ 0xE001→DATA @ 0xE002→DATA @ 0xE003→STOP**

However, if you need to address a specific byte in that extended memory map space, then you will need to address using the full 16-bit address (note the 16-bit address is high byte first, unlike the data which is low byte first):



START → S_ADR(W) → 0xE0 (addr high-byte) → 0x03 (addr low-byte) → REPEAT-START →
S_ADD(R) → DATA @ 0xE003

11.5 Data

The data is 16-bit words, meaning that each address obtains 2 bytes of data. For example, address 0x10 will provide two bytes, then the next two bytes read will be from address 0x11. The 16-bit data is sent in little endian byte order (least significant byte first).

11.6 I²C Timeout

If the communication window is not serviced within the I²C timeout period (in milliseconds), the session is ended (RDY goes HIGH), and processing continues as normal. This allows the system to continue and keep reference values up to date even if the master is not responsive, however the corresponding data was missed/lost, and this should be avoided.

11.7 Terminate Communication

A standard I²C STOP ends the current communication window. If multiple I²C transactions need to be done, then they should be strung together using repeated-start conditions instead of giving a STOP. This will allow the communication to occur in the same session.

11.8 RDY/IRQ

The communication has an open-drain active-LOW RDY signal to inform the master that updated data is available. It is optimal for the master to use this as an interrupt input and obtain the data accordingly. It is also useful to allow the master MCU to enter low-power/sleep allowing wake-up from the touch device when user presence is detected.

11.9 Event Mode Communication

The device can be set up to bypass the communication window when no activity is sensed (Event Mode). This is usually enabled since the master does not want to be interrupted unnecessarily during every cycle if no activity occurred. The communication will resume (RDY will indicate available data) if an enabled event occurs. It is recommended that the RDY be placed on an interrupt-on-pin-change input on the master.

11.9.1 Events

Numerous events can be individually enabled to trigger communication, they are:

- > Trackpad events *TP Event*: event triggered if there is a change in X/Y value, or if a finger is added or removed from the trackpad.
- > Touch events (*TP Touch Event*): event only triggers if a channel has a change in a touch state. This is mostly aimed at channels that are used for traditional buttons, where you want to know only when a status is changed.
- > Re-ATI (*ReATI Event*): one communication cycle is given to indicate the Re-ATI occurred (*ReATI Occurred/ ALP ReATI Occurred*).
- > Proximity/Touch on ALP (*ALP Event*): event given on state change.



11.9.2 Force Communication/Polling

The master can initiate communication even while RDY is HIGH (inactive). The default method is that the IQS7211 will clock stretch until an appropriate time to complete the I²C transaction. The master firmware will not be affected (if clock stretching is correctly handled).

If the associated clock stretching cannot be allowed, then an alternative comms request method can be enabled (*Comms Request EN*). To achieve this, the master will do communication when RDY is not active (thus forcing comms), and it will write a comms request to the device. This comms request is as follows:

START→S_ADR(W)→0xFF (comms request)→Any byte→Any byte→STOP

After this request for communication has been sent, then the next available communication window will become available as normal (thus RDY going LOW).

For optimal program flow, it is suggested that RDY is used to sync on new data. The forced/polling method is only recommended if the master must perform I²C and Event Mode is active.



12 I²C Memory Map - Register Descriptions

For a more detailed description please see Appendix A

Address	Data (16bit)	Notes	
0x00 - 0x09	Version details	See Table A.1	
0x10	Info flags	See Table A.2	
0x11	Gestures	See Table A.3	
0x12	Relative X	See Section 7.2.2	
0x13	Relative Y		
0x14	Finger 1 X-coordinate	See Section 7.2.3	
0x15	Finger 1 Y-coordinate		
0x16	Finger 1 touch strength	See Section 7.2.4	
0x17	Finger 1 area	See Section 7.2.5	
0x18	Finger 2 X-coordinate	See Section 7.2.3	
0x19	Finger 2 Y-coordinate		
0x1A	Finger 2 touch strength	See Section 7.2.4	
0x1B	Finger 2 area	See Section 7.2.5	
0x20	Touch status <Row0>	See Table A.4	
0x21	Touch status <Row1>		
0x22	Touch status <Row2>		
0x23	ALP channel count	See Section 5.3.2	
0x24	ALP channel LTA	See Section 5.4.2	
0x25	ALP count A	See Section 5.3.2	
0x26	ALP count B	See Section 5.3.2	
0x30	Trackpad ATI multiplier/dividers (Global)	See Table A.5	
0x31	Trackpad ATI compensation divider (Global)	See Section 5.6.4	
0x32	Trackpad ATI target	See Section 5.6.3	
0x33	Trackpad reference drift limit	See Section 5.7.2	
0x34	Trackpad minimum count re-ATI value		
0x35	Re-ATI retry time (s)	See Section 5.7.3	
0x36	ALP ATI multiplier/dividers	See Table A.5	
0x37	ALP ATI compensation divider	See Section 5.6.4	
0x38	ALP ATI target	See Section 5.6.3	
0x39	ALP LTA drift limit	See Section 5.7.2	
0x3A	ALP ATI compensation A	See Section 5.6.3	
0x3B	ALP ATI compensation B		
0x40	Active mode report rate (ms)	See Section 6.1	
0x41	Idle-Touch mode report rate (ms)		
0x42	Idle mode report rate (ms)		
0x43	LP1 mode report rate (ms)		
0x44	LP2 mode report rate (ms)		
0x45	Active mode timeout (s)	See Section 6.2	
0x46	Idle-Touch mode timeout (s)		
0x47	Idle mode timeout (s)		
0x48	LP1 mode timeout (s)	See Section 5.4.1	
0x49	Reference update time (s)		
0x4A	I ² C timeout (ms)	See Section 11.6	
	(HIGH byte)	(LOW byte)	
0x50	System control		See Table A.6
0x51	Config settings		See Table A.7
0x52	Other settings		See Table A.8
0x53	Touch clear multiplier	Touch set multiplier	See Section 5.5.1
0x54	ALP threshold		See Section 5.5.2
0x55	Reserved		
0x56	ALP clear debounce	ALP set debounce	See Section 5.5.3
0x57	Reserved		



0x58	Trackpad conversion frequency		See Table A.9
0x59	ALP conversion frequency		
0x5A	Trackpad hardware settings		See Table A.10
0x5B	ALP hardware settings		
(HIGH byte)			(LOW byte)
0x60	Total Rxs	Trackpad settings	See Table A.11 and Section 7.1.1
0x61	Max multi-touches	Total TxS	See Section 7.1.1 and 7.3
0x62	X resolution		See Section 7.4
0x63	Y resolution		
0x64	XY dynamic filter - bottom speed		See Section 7.8.2
0x65	XY dynamic filter - top speed		
0x66	Static filter beta value	Dynamic filter bottom beta	See Section 7.8.2
0x67	Finger split factor	Stationary touch movement threshold	See Section 7.6 and 7.5
0x68	X trim value		See Section 7.9
0x69	Y trim value		
(HIGH byte)			(LOW byte)
0x70	ALP count filter beta		Fraction on 256
0x71	LP2 beta (1/2 ^x)	LP1 beta (1/2 ^x)	
0x72	ALP setup		See Table A.12
0x73	ALP Tx enable		See Table A.13
0x74	Settings major version	Settings minor version	See Section 10.1.1
0x80	Gesture enable		See Table A.14
0x81	Tap time (ms)		See Section 8.1
0x82	Tap distance (pixels)		See Section 8.1
0x83	Hold time (ms)		See Section 8.1
0x84	Swipe time (ms)		See Section 8.2
0x85	Swipe x-distance (pixels)		See Section 8.3
0x86	Swipe y-distance (pixels)		See Section 8.3
0x87	Swipe angle (64tan(deg))		See Section 8.3
0x90	RxTx mapping <1..0>		See Section 7.1.5
0x91	RxTx mapping <3..2>		
0x92	RxTx mapping <5..4>		
0x93	RxTx mapping <7..6>		
0x94	RxTx mapping <9..8>		
0x95	RxTx mapping <11..10>		
0x96	<i>do not use</i>	RxTx mapping <12>	
(HIGH byte)			(LOW byte)
0xA0	1st channel for cycle-0	0x05	See Section 7.1.2
0xA1	0x05	2nd channel for cycle-0	
0xA2	2nd channel for cycle-1	1st channel for cycle-1	
0xA3	1st channel for cycle-2	0x05	
0xA4	0x05	2nd channel for cycle-2	
0xA5	2nd channel for cycle-3	1st channel for cycle-3	
0xA6	1st channel for cycle-4	0x05	
0xA7	0x05	2nd channel for cycle-4	
0xA8	2nd channel for cycle-5	1st channel for cycle-5	
0xA9	1st channel for cycle-6	0x05	
0xAA	0x05	2nd channel for cycle-6	
0xAB	2nd channel for cycle-7	1st channel for cycle-7	
0xAC	1st channel for cycle-8	0x05	
0xAD	0x05	2nd channel for cycle-8	
0xAE	2nd channel for cycle-9	1st channel for cycle-9	



		(HIGH byte)	(LOW byte)		
0xB0		1st channel for cycle-10	0x05	See Section 7.1.2	
0xB1		0x05	2nd channel for cycle-10		
0xB2		2nd channel for cycle-11	1st channel for cycle-11		
0xB3		1st channel for cycle-12	0x05		
0xB4		0x05	2nd channel for cycle-12		
0xB5		2nd channel for cycle-13	1st channel for cycle-13		
0xB6		1st channel for cycle-14	0x05		
0xB7		0x05	2nd channel for cycle-14		
0xB8		2nd channel for cycle-15	1st channel for cycle-15		
0xB9		1st channel for cycle-16	0x05		
0xBA		0x05	2nd channel for cycle-16		
0xBB		2nd channel for cycle-17	1st channel for cycle-17		
0xE0 ⁱ	...	Trackpad count values			See Section 5.3.1
0xE1 ⁱ	...	Trackpad reference values			See Section 5.4.1
0xE2 ⁱ	...	Trackpad delta values		See Section 5.3.4	
0xE3 ⁱ	...	Trackpad ATI compensation values		See Section 5.6.3	

ⁱextended memory map



13 Applications, Implementation and Layout

13.1 Layout Fundamentals

NOTE

Information in the following Applications section is not part of the Azoteq component specification, and Azoteq does not warrant its accuracy or completeness. Azoteq's customers are responsible for determining suitability of components for their purposes. Customers should validate and test their design implementation to confirm system functionality.

13.1.1 Power Supply Decoupling

Azoteq recommends connecting a combination of a 2.2- μ F plus a 100-pF low-ESR ceramic decoupling capacitor to the VDD and VSS pins. Higher-value capacitors may be used but can impact supply rail ramp-up time. Decoupling capacitors must be placed as close as possible to the pins that they decouple (within a few millimeters).

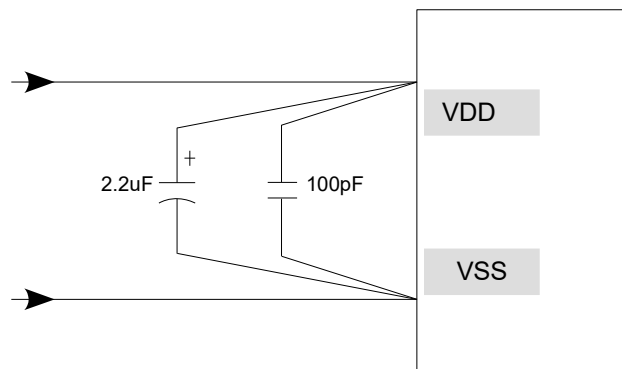


Figure 13.1: Recommended Power Supply Decoupling

13.1.2 Transient Signal Management

During power up, power down, and device operation, VDD must not exceed the absolute maximum ratings. Exceeding the specified limits may cause malfunction of the device.

13.1.3 ProxFusion[®] Peripheral

This section provides a brief introduction to the ProxFusion[®] technology with examples of PCB layout and performance from a design kit. Please contact Azoteq for more details on design variables not covered here.

13.1.4 VREG

The VREG pin requires a 2.2- μ F capacitor to regulate the LDO internal to the device. This capacitor must be placed as close as possible to the microcontroller. The figure below shows an example layout where the capacitor is placed close to the IC.

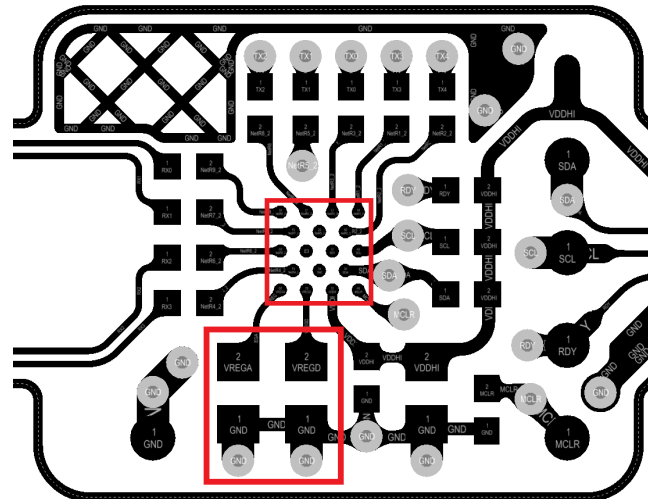


Figure 13.2: VREG Capacitor Placement Close to IC

13.1.5 ESD Protection

Typically, the laminate overlay provides several kilovolts of breakdown isolation to protect the circuit from ESD strikes. More ESD protection can be added with a series resistor placed on each channel used. A value of $470\ \Omega$ is recommended.

13.1.6 Self-capacitance Electrode Design

Self-capacitance electrodes are characterized by having only one sensing pin from the IC that both excites and measures the capacitance. The capacitance being measured is between the electrode and circuit ground, so any capacitance local to the PCB or outside of the PCB (a touch event) influences the measurement.

For PCB layout design it is important to minimize local parasitic capacitances while shielding (with circuit GND) the self-capacitance traces against mechanical changes, induced noise and temperature effects of the board material. Minimize the local parasitic capacitances in order to maximize the effect of external capacitances (proximity and touch effects). To minimize parasitic effects on the PCB, the ground pour on the bottom layer is hatched and there is no pour directly below the electrode: 1.27mm spacing between the electrode and ground fill.

13.1.7 ATI (Auto Tuning Implementation)

The ATI process adjusts three values (Coarse multiplier, Fine multiplier, Compensation) using two parameters per plate (ATI base and ATI target). The ATI process is used to ensure that the sensor's sensitivity is not severely affected by external influences (Temperature, voltage supply change, etc.). For a detailed description of ATI, please contact Azoteq.



14 Ordering Information

14.1 Ordering Code

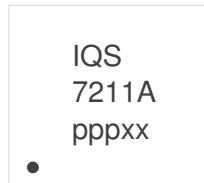
IQS7211A zzz ppb

IC NAME	IQS7211A	=	IQS7211A	
POWER-ON CONFIGURATION	zzz	=	001	Startup with 6x5 trackpad settings (Recommended) Startup with 6x5 trackpad settings
PACKAGE TYPE	pp	=	101 ⁱ	WLCSP-18 package
BULK PACKAGING	b	=	CS	QFN-20 package
		=	QN	WLCSP-18 Reel (3000pcs/reel)
		=	R	QFN-20 Reel (2000pcs/reel)

Figure 14.1: Order Code Description

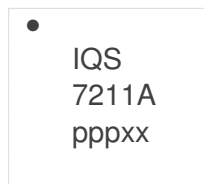
14.2 Top Marking

14.2.1 WLCSP18 Package



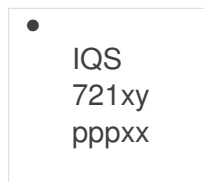
Product Name
ppp = product code
xx = batchcode

14.2.2 QFN20 Package Marking Option 1



Product Name
ppp = product code
xx = batchcode

14.2.3 QFN20 Package Marking Option 2



Product Name
ppp = product code
xx = batchcode

ⁱMinor fixes and improvements to '001' version



15 Package Specification

15.1 Package Outline Description - WLCSP18

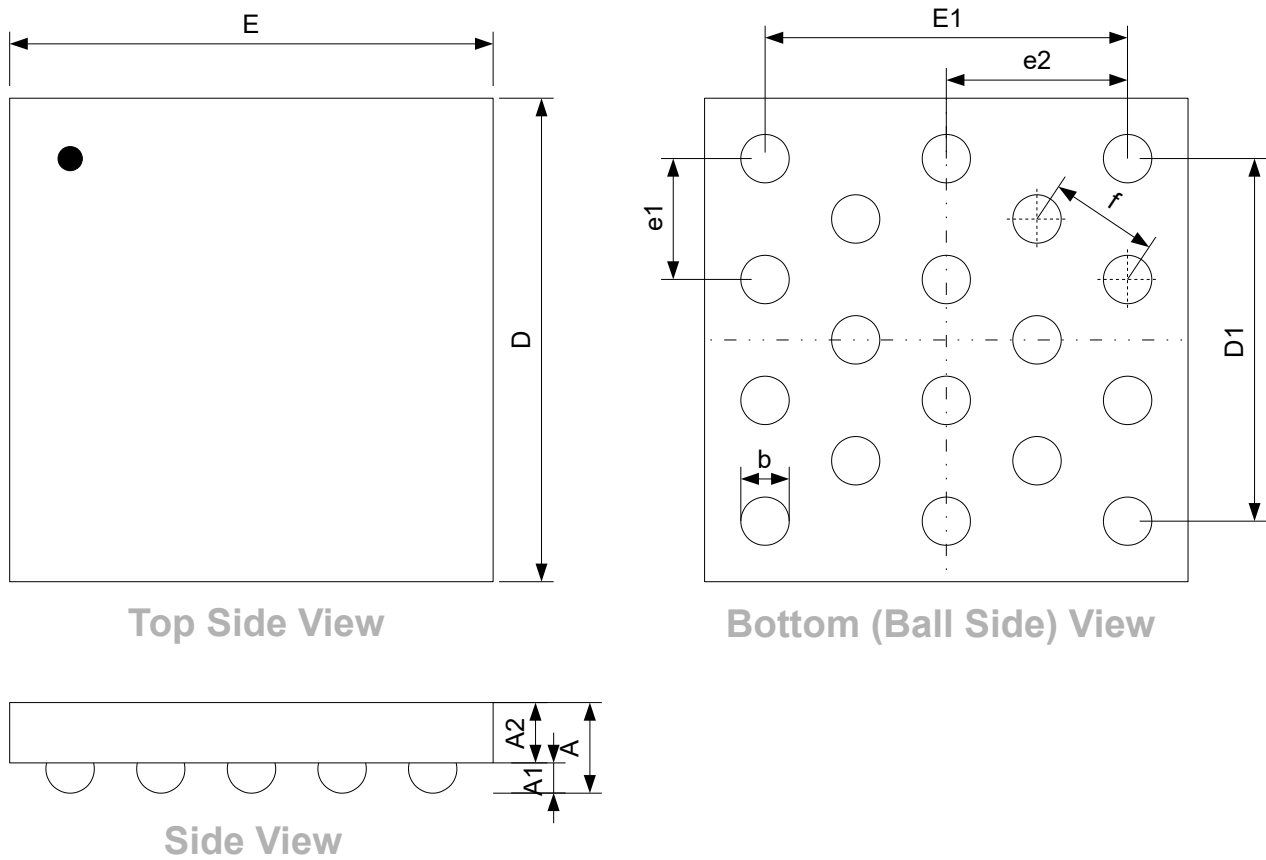


Figure 15.1: WLCSP (1.62x1.62) - 18 Package Outline Visual Description

Table 15.1: WLCSP (1.62x1.62) - 18 Package Outline Visual Description

Dimension	[mm]	Dimension	[mm]
A	0.525±0.05	E	1.620±0.015
A1	0.2±0.02	E1	1.2
A2	0.3±0.025	e1	0.4
b	0.260±0.39	e2	0.6
D	1.620±0.015	f	0.36
D1	1.2		



15.2 Package Outline Description - QFN20

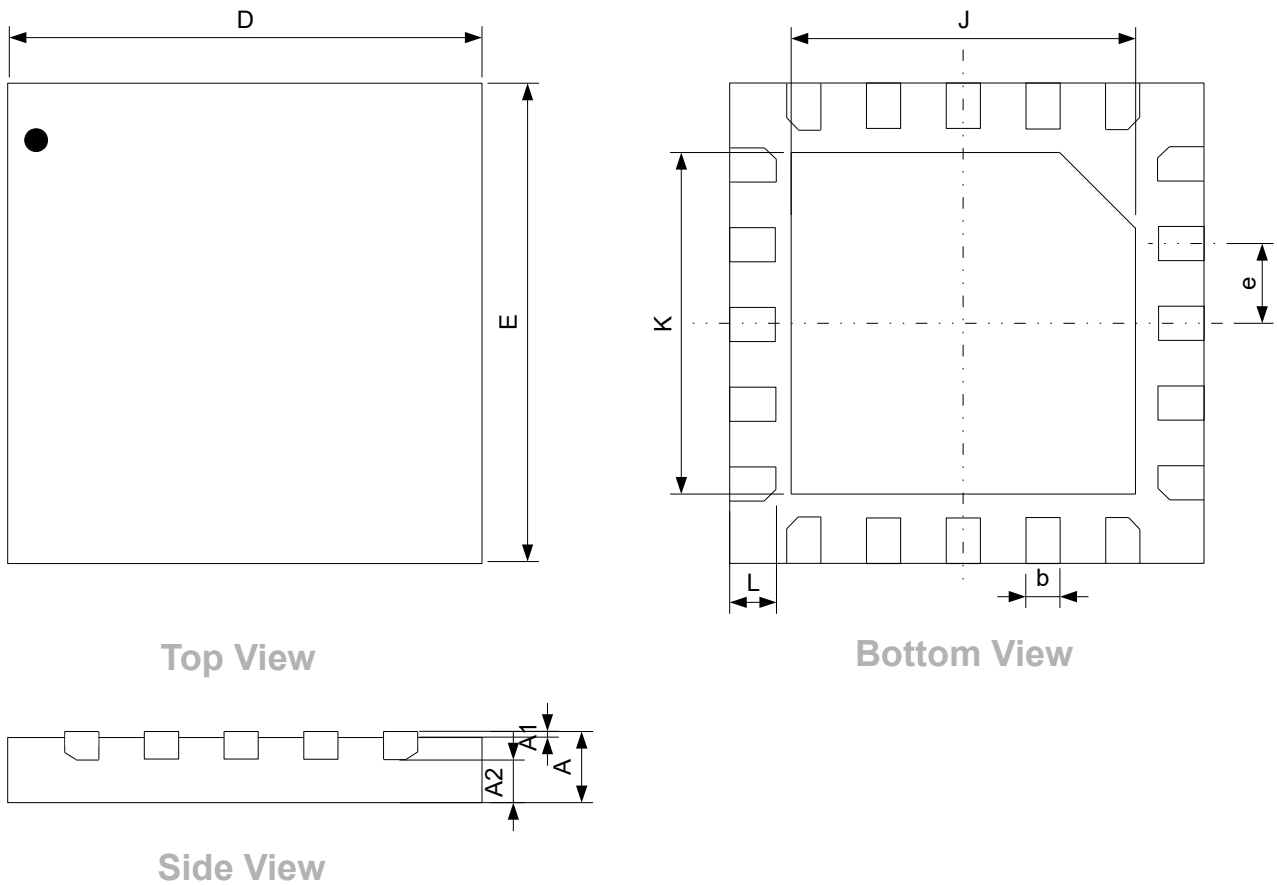


Figure 15.2: QFN (3x3)-20 Package Outline Visual Description

Table 15.2: QFN (3x3)-20 Package Outline Visual Description

Dimension	[mm]	Dimension	[mm]
A	0.5±0.1	E	3
A1	0.035±0.05	e	0.4
A2	0.3	J	1.7±0.1
A3	0.203	K	1.7±0.1
b	0.2±0.05	L	0.4±0.05
D	3		

15.3 Moisture Sensitivity Levels

Contact Azoteq

15.4 Reflow Specifications

Contact Azoteq



A Memory Map Descriptions

Table A.1: Version Information

Address	Description	Value
0x00 - 0x01	Product Number	763
0x02 - 0x03	Major Version Number	1
0x04 - 0x05	Minor Version Number	1
0x06 - 0x09	Build Number	c506f297

Table A.2: Info Flags (0x10)

Bit15	Bit14	Bit13	Bit12	Bit11	Bit10	Bit9	Bit8	Bit7	Bit6	Bit5	Bit4	Bit3	Bit2	Bit1	Bit0
Res- erved	ALP Out- put	Res- erved	Too Many Fin- gers	Res- erved	TP Move- ment	No of Fingers		Show Reset	ALP ReATI Oc- curred	ALP ATI Error	ReATI Oc- curred	ATI Error			Charging Mode

- > Bit 15: Unused
- > Bit 14: **ALP Output**- Prox/Touch detection status of ALP channel
 - 0: No output detected
 - 1: Output detected
- > Bit 13: Unused
- > Bit 12: **Too Many Fingers**- Indicates more than allowed fingers detected
 - 0: Number of fingers within maximum selected value
 - 1: Number of fingers exceeds maximum selected value
- > Bit 11: Unused
- > Bit 10: **TP Movement**- Trackpad movement or finger down/up detected
 - 0: No finger or movement of fingers on trackpad
 - 1: Movement of finger(s) or finger up/down seen on trackpad
- > Bit 9-8: **No of Fingers**- Number of fingers detected on trackpad
 - 00: No fingers on trackpad
 - 01: 1 finger active
 - 10: 2 fingers active
- > Bit 7: **Show Reset**- Indicates a reset
 - 0: Reset indication has been cleared by host, writing to *Ack Reset*
 - 1: Reset has occurred and indication has not been cleared by host
- > Bit 6: **ALP Re-ATI Occurred**- Alternate Low Power channel Re-ATI Status
 - 0: No re-ATI
 - 1: Re-ATI has just completed on alternate LP channel
- > Bit 5: **ALP ATI Error**- Alternate Low Power ATI error status
 - 0: Most recent ATI process was successful
 - 1: Most recent ATI process was unsuccessful
- > Bit 4: **Re-ATI Occurred**- Trackpad re-ATI status
 - 0: No re-ATI
 - 1: Re-ATI has just completed on the trackpad
- > Bit 3: **ATI Error**- Error condition seen on latest trackpad ATI procedure
 - 0: Most recent ATI process was successful
 - 1: Most recent ATI process was unsuccessful
- > Bit 2-0: **Charging Mode**: Indicates current mode
 - 000: Active mode
 - 001: Idle-touch mode
 - 010: Idle mode
 - 011: LP1 mode



- 100: LP2 mode

Table A.3: Gestures (0x11)

Bit15	Bit14	Bit13	Bit12	Bit11	Bit10	Bit9	Bit8	Bit7	Bit6	Bit5	Bit4	Bit3	Bit2	Bit1	Bit0
Reserved										Swipe Y-	Swipe Y+	Swipe X+	Swipe X-	Press and Hold	Single Tap

- > Bit 15-6: Unused
- > Bit 5: **Swipe Y-** - Swipe in negative Y direction
 - 0: No gesture
 - 1: Swipe in negative Y direction occurred
- > Bit 4: **Swipe Y+** - Swipe in positive Y direction
 - 0: No gesture
 - 1: Swipe in positive Y direction occurred
- > Bit 3: **Swipe X+** - Swipe in positive X direction
 - 0: No gesture
 - 1: Swipe in positive X direction occurred
- > Bit 2: **Swipe X-** - Swipe in negative X direction
 - 0: No gesture
 - 1: Swipe in negative X direction occurred
- > Bit 1: **Press and Hold**- Indicates a Press and hold gesture
 - 0: No gesture
 - 1: Press and hold occurred
- > Bit 0: **Single Tap**- Indicates a single tap gesture
 - 0: No gesture
 - 1: Single tap occurred

Table A.4: Touch Status <RowZ> (0x20-0x22)

Bit15	Bit14	Bit13	Bit12	Bit11	Bit10	Bit9	Bit8	Bit7	Bit6	Bit5	Bit4	Bit3	Bit2	Bit1	Bit0
CH15 - CH9								Touch Status <0>							
CH31 - CH25								Touch Status <1>							
~								Touch Status <2>							
~								~							

- > Touch Flags for CH0 - CH31
 - 0: No touch detected
 - 1: Touch detected

Table A.5: Trackpad and ALP Multipliers/Divider (0x30 / 0x36)

Bit15	Bit14	Bit13	Bit12	Bit11	Bit10	Bit9	Bit8	Bit7	Bit6	Bit5	Bit4	Bit3	Bit2	Bit1	Bit0
Reserved		Fine Divider				Coarse Multiplier				Coarse Divider					

- > Bit 15-14: Unused
- > Bit 13-9: **Fine Fractional Divider**
 - 5-bit value between 1 and 31
- > Bit 8-5: **Coarse Multiplier**
 - 4 bit value between 1 and 15
- > Bit 4-0: **Coarse Fractional Divider**
 - 5 bit value between 1 and 31

Table A.6: System Control (0x50)

Bit15	Bit14	Bit13	Bit12	Bit11	Bit10	Bit9	Bit8	Bit7	Bit6	Bit5	Bit4	Bit3	Bit2	Bit1	Bit0
Tx test	Reserved					SW Reset	Reserved	Ack Reset	ALP ReATI	TP ReATI	ALP Re-seed	TP Re-seed	Mode Select		



- > Bit 15: **Tx test**- Tx short test
 - 0: Normal operation
 - 1: Enable Tx short test configuration
- > Bit 14-10: Unused
- > Bit 9: **SW Reset**- Reset the device
 - 0: No action
 - 1: Reset device after communication window terminates
- > Bit 8: Unused
- > Bit 7: **Ack Reset**- Acknowledge a reset
 - 0: No action
 - 1: Acknowledge the reset by clearing *Show Reset* flag
- > Bit 6: **ALP Re-ATI**- Queue a re-ATI on ALP channel
 - 0: No action
 - 1: Perform re-ATI when ALP channel is sensed again
- > Bit 5: **TP Re-ATI**- Queue a re-ATI on trackpad channels
 - 0: No action
 - 1: Perform re-ATI when trackpad channels are sensed again
- > Bit 4: **ALP Reseed**- Reseed alternate low power channel
 - 0: No action
 - 1: Reseed the LTA of the alternate LP channel
- > Bit 3: **TP Reseed**- Reseed trackpad channels
 - 0: No action
 - 1: Reseed reference values of trackpad
- > Bit 2-0: **Mode Select**- Select mode (only applicable in *Manual Mode*)
 - 000: Active mode
 - 001: Idle-Touch mode
 - 010: Idle mode
 - 011: LP1 mode
 - 100: LP2 mode

Table A.7: Config Settings (0x51)

Bit15	Bit14	Bit13	Bit12	Bit11	Bit10	Bit9	Bit8	Bit7	Bit6	Bit5	Bit4	Bit3	Bit2	Bit1	Bit0
Res- erved	TP Touch Event	ALP Event	Res- erved	ReATI Event	TP Event	Gesture Event	Event Mode	Manual Con- trol	Res- erved	WDT	Comms Re- quest EN	ALP ReATI EN	TP ReATI EN	Res- erved	Res- erved

- > Bit 15: Unused
- > Bit 14: **TP Touch Event**- Enable trackpad touch triggering event
 - 0: Toggle of trackpad touch status does not trigger an event
 - 1: Toggle of trackpad touch status triggers an event
- > Bit 13: **ALP Event**- Enable alternate LP channel detection triggering event
 - 0: Toggle of alternate channel prox/touch status does not trigger an event
 - 1: Toggle of alternate channel prox/touch status triggers an event
- > Bit 12: Unused
- > Bit 11: **Re-ATI Event**- Enable Re-ATI generating an event
 - 0: Re-ATI occurring does not trigger an event
 - 1: Re-ATI occurring triggers an event
- > Bit 10: **TP Event**- Enable trackpad events
 - 0: Trackpad finger movement or finger up/down will not trigger event
 - 1: Trackpad finger movement or finger up/down will trigger event
- > Bit 9: **Gesture Event**- Enable gesture events
 - 0: Gestures will not trigger event



- 1: Gestures will trigger event
- > Bit 8: **Event Mode**- Enable event mode communication
 - 0: I²C is presented each cycle (except auto-prox cycles)
 - 1: I²C is only initiated when an enabled event occurs
- > Bit 7: **Manual Control**- Override automatic mode switching
 - 0: Modes are automatically controlled by firmware
 - 1: Manual control of modes are handled by host
- > Bit 6: Unused
- > Bit 5: **WDT**- Watchdog timer
 - 0: Watchdog is disabled
 - 1: Watchdog is enabled
- > Bit 4: **Comms Request EN**- Alternative polling method (while RDY not LOW)
 - 0: Forcing comms will clock stretch until a comms window
 - 1: A comms window must be requested with a command (no stretching)
- > Bit 3: **ALP Re-ATI EN**- Automatic Re-ATI on alternate LP channel
 - 0: Re-ATI is disabled for alternate LP channel
 - 1: Re-ATI is enabled for alternate LP channel
- > Bit 2: **TP Re-ATI EN**- Automatic Re-ATI on trackpad
 - 0: Re-ATI is disabled for trackpad channels
 - 1: Re-ATI is enabled for trackpad channels
- > Bit 1-0: Unused

Table A.8: Other Settings (0x52)

Bit15	Bit14	Bit13	Bit12	Bit11	Bit10	Bit9	Bit8	Bit7	Bit6	Bit5	Bit4	Bit3	Bit2	Bit1	Bit0
Cal Channel Select								Cal Cap Size			14MHz/18MHz		Main Osc Adj		

- > Bit 15-8: **Cal Channel Select**- Trackpad channel for calibration cap connection
 - 0-31: Channel number to enable cal cap on
 - 255: Disabled
- > Bit 7-5: **Cal Cap Size**- Calibration capacitor size
 - 3-bit value * 0.5pF
- > Bit 4: **14MHz/18MHz**- Main oscillator selection
 - 0: Main oscillator is 14MHz
 - 1: Main oscillator is 18MHz
- > Bit 3-0: **Main Osc Adj**- Small main oscillator adjustment setting
 - 4-bit value
 - 0-15: 0 = No adjustment .. 15 = Maximum adjustment

Table A.9: Charge Transfer Frequency (0x58 / 0x59)

Bit15	Bit14	Bit13	Bit12	Bit11	Bit10	Bit9	Bit8	Bit7	Bit6	Bit5	Bit4	Bit3	Bit2	Bit1	Bit0
Frequency fraction value											Up/ Pass length				

- > Use Azoteq product GUI to help determine these parameters

Table A.10: Trackpad and ALP Hardware Settings (0x5A / 0x5B)

Bit15	Bit14	Bit13	Bit12	Bit11	Bit10	Bit9	Bit8	Bit7	Bit6	Bit5	Bit4	Bit3	Bit2	Bit1	Bit0
NM In Static	CS_0v5 Discharge	RF Filter	CS Cap Select	Opamp Bias	Max Count	LP2 Auto Prox Cycles (only in ALP register)			LP1 Auto Prox Cycles (only in ALP register)			Init Delay			

- > Bit 15: **NM In Static**- NM In Static
 - 0: Disabled
 - 1: Enabled (recommended)



- > Bit 14: **CS 0v5 Discharge**- Select internal Cs discharge voltage
 - 0: Discharge to 0V (recommended for most cases)
 - 1: Discharge to 0.5V
- > Bit 13: **RF Filter**- Internal RF filters
 - 0: RF filters disabled
 - 1: RF filters enabled
- > Bit 12: **CS Cap Select**- Internal pool capacitor size
 - 0: Internal capacitor is 40pF
 - 1: Internal capacitor is 80pF (recommended)
- > Bit 11-10: **Opamp Bias**- Projected opamp bias
 - 00: 2μA
 - 01: 5μA
 - 10: 7μA
 - 11: 10μA
- > Bit 9-8: **Max Count**- Count upper limit (count value stops conversion after reaching this)
 - 00: 1023
 - 01: 2047
 - 10: 4095
 - 11: 16384
- > Bit 7-5: **LP2 Auto Prox Cycles**- Number of LP2 auto-prox cycles
 - 000: 4
 - 001: 8
 - 010: 16
 - 011: 32
 - 1xx: Auto-prox disabled
- > Bit 4-2: **LP1 Auto Prox Cycles**- Number of LP1 auto-prox cycles
 - 000: 4
 - 001: 8
 - 010: 16
 - 011: 32
 - 1xx: Auto-prox disabled
- > Bit 1-0: **Init Delay**- Initial cycles delay
 - 00: 4
 - 01: 16
 - 10: 32
 - 11: 64

Table A.11: Trackpad Settings (0x60)

Bit15	Bit14	Bit13	Bit12	Bit11	Bit10	Bit9	Bit8	Bit7	Bit6	Bit5	Bit4	Bit3	Bit2	Bit1	Bit0
Total Rxs								Reserved		MAV Filter	IIR Static	IIR Filter	Switch XY Axis	Flip Y	Flip X

- > Bit 15-8: **Total Rxs**- used for trackpad
- > Bit 7-6: Unused
- > Bit 5: **MAV Filter**- Moving averaging filter
 - 0: XY MAV filter on touch position disabled
 - 1: XY MAV filter on touch position enabled (recommended)
- > Bit 4: **IIR Static**- IIR filtering method for the XY data points
 - 0: Damping factor for IIR filter is dynamically adjusted relative to XY movement (recommended)
 - 1: Damping factor for IIR filter is fixed
- > Bit 3: **IIR Filter**- IIR filter



- 0: XY IIR filter disabled
- 1: XY IIR filter enabled (recommended)
- > Bit 2: **Switch XY Axis**- Switch X and Y axes
 - 0: Rxs are arranged in trackpad columns (X), and Txs in rows (Y)
 - 1: Txs are arranged in trackpad columns (X), and Rxs in rows (Y)
- > Bit 1: **Flip Y**- Flip Y output values
 - 0: Keep default Y values
 - 1: Invert Y output values
- > Bit 0: **Flip X**- Flip X output values
 - 0: Keep default X values
 - 1: Invert X output values

Table A.12: ALP Setup (0x72)

Bit15	Bit14	Bit13	Bit12	Bit11	Bit10	Bit9	Bit8	Bit7	Bit6	Bit5	Bit4	Bit3	Bit2	Bit1	Bit0
Reserved						ALP Filter	Self/Proj	Rx7_EN	Rx6_EN	Rx5_EN	Rx4_EN	Rx3_EN	Rx2_EN	Rx1_EN	Rx0_EN

- > Bit 15-10: Unused
- > Bit 9: **ALP Filter**- ALP count filter
 - 0: ALP count value is unfiltered
 - 1: ALP count filter enabled
- > Bit 8: **Self or Proj**- ALP sensing method
 - 0: ALP is setup for self-capacitive sensing
 - 1: ALP is setup for projected-capacitive sensing
- > Bit 7-0: **RX_EN**- ALP Rx electrodes
 - 0: Rx disabled (not used for ALP)
 - 1: Rx enabled (forms part of ALP sensor)

Table A.13: ALP Tx Enable (0x73)

Bit15	Bit14	Bit13	Bit12	Bit11	Bit10	Bit9	Bit8	Bit7	Bit6	Bit5	Bit4	Bit3	Bit2	Bit1	Bit0
Reserved				Tx11_EN	Tx10_EN	Tx9_EN	Tx8_EN	Tx7_EN	Tx6_EN	Tx5_EN	Tx4_EN	Tx3_EN	Tx2_EN	Tx1_EN	Tx0_EN

- > Bit 15-12: Reserved
- > Bit 11-0: **TX_EN**- ALP Tx electrodes
 - 0: Tx disabled (not used for ALP)
 - 1: Tx enabled (forms part of ALP sensor)

Table A.14: Gesture Enable (0x80)

Bit15	Bit14	Bit13	Bit12	Bit11	Bit10	Bit9	Gesture Enable		Bit6	Bit5	Bit4	Bit3	Bit2	Bit1	Bit0
Reserved										Swipe Y-	Swipe Y+	Swipe X+	Swipe X-	Press and Hold	Single Tap

- > Bit 5: **Swipe Y-** - Swipe in negative Y direction
 - 0: No gesture
 - 1: Swipe in negative Y direction occurred
- > Bit 4: **Swipe Y+** - Swipe in positive Y direction
 - 0: No gesture
 - 1: Swipe in positive Y direction occurred
- > Bit 3: **Swipe X+** - Swipe in positive X direction
 - 0: No gesture
 - 1: Swipe in positive X direction occurred
- > Bit 2: **Swipe X-** - Swipe in negative X direction



- 0: No gesture
- 1: Swipe in negative X direction occurred
- > Bit 1: **Press and Hold** - Indicates a press and hold gesture
 - 0: No gesture
 - 1: Press and hold occurred
- > Bit 0: **Single Tap** - Indicates a single tap gesture
 - 0: No gesture
 - 1: Single tap occurred




Contact Information

	USA	Asia	South Africa
Physical Address	11940 Jollyville Rd Suite 120-S Austin TX-78759 USA	Room501A, Block A T-Share International Centre Taoyuan Road Nanshan District Shenzhen Guangdong Province PRC	1 Bergsig Avenue Paarl 7646 South Africa South Africa
Postal Address	11940 Jollyville Rd Suite 120-S Austin TX-78759 USA	Room501A, Block A T-Share International Centre Taoyuan Road Nanshan District Shenzhen Guangdong Province PRC	PO Box 3534 Paarl 7620 South Africa South Africa
Tel	+1 512 538 1995	+86 755 8303 5294 ext 808	+27 21 863 0033
Email	info@azoteq.com	info@azoteq.com	info@azoteq.com

*Visit www.azoteq.com
for a list of distributors and worldwide representation.*

Patents as listed on www.azoteq.com/patents-trademarks/ may relate to the device or usage of the device

Azoteq®, Crystal Driver®, IQ Switch®, ProxSense®, ProxFusion®, LightSense™, SwipeSwitch™, and the  logo are trademarks of Azoteq.

The information in this Datasheet is believed to be accurate at the time of publication. Azoteq uses reasonable effort to maintain the information up-to-date and accurate, but does not warrant the accuracy, completeness or reliability of the information contained herein. All content and information are provided on an "as is" basis only, without any representations or warranties, express or implied, of any kind, including representations about the suitability of these products or information for any purpose. Azoteq disclaims all warranties and conditions with regard to these products and information, including but not limited to all implied warranties and conditions of merchantability, fitness for a particular purpose, title and non-infringement of any third party intellectual property rights. Azoteq assumes no liability for any damages or injury arising from any use of the information or the product or caused by, without limitation, failure of performance, error, omission, interruption, defect, delay in operation or transmission, even if Azoteq has been advised of the possibility of such damages. The applications mentioned herein are used solely for the purpose of illustration and Azoteq makes no warranty or representation that such applications will be suitable without further modification, nor recommends the use of its products for application that may present a risk to human life due to malfunction or otherwise. Azoteq products are not authorized for use as critical components in life support devices or systems. No licenses to patents are granted, implicitly, express or implied, by estoppel or otherwise, under any intellectual property rights. In the event that any of the abovementioned limitations or exclusions does not apply, it is agreed that Azoteq's total liability for all losses, damages and causes of action (in contract, tort (including without limitation, negligence) or otherwise) will not exceed the amount already paid by the customer for the products. Azoteq reserves the right to alter its products, to make corrections, deletions, modifications, enhancements, improvements and other changes to the content and information, its products, programs and services at any time or to move or discontinue any contents, products, programs or services without prior notification. For the most up-to-date information and binding Terms and Conditions please refer to www.azoteq.com.

Mouser Electronics

Authorized Distributor

Click to View Pricing, Inventory, Delivery & Lifecycle Information:

[Azoteq:](#)

[IQS7211A101QNR](#) [IQS7211A101CSR](#)