


ESP8266EX

Datasheet



Version 5.9
Espressif Systems
Copyright © 2018



About This Guide

This document introduces the specifications of ESP8266EX.

Release Notes

| Date | Version | Release Notes |
|---------|---------|---|
| 2015.12 | V4.6 | Updated Chapter 3. |
| 2016.02 | V4.7 | Updated Section 3.6 and Section 4.1. |
| 2016.04 | V4.8 | Updated Chapter 1. |
| 2016.08 | V4.9 | Updated Chapter 1. |
| 2016.11 | V5.0 | Added Appendix II "Learning Resources". |
| 2016.11 | V5.1 | Changed the power consumption during Deep-sleep from 10 μ A to 20 μ A in Table 5-2. |
| 2016.11 | V5.2 | Changed the crystal frequency range from "26 MHz to 52 MHz" to "24 MHz to 52 MHz" in Section 3.3. |
| 2016.12 | V5.3 | Changed the minimum working voltage from 3.0V to 2.5V. |
| 2017.04 | V5.4 | Changed chip input and output impedance from 50 Ω to 39+j6 Ω . |
| 2017.10 | V5.5 | Updated Chapter 3 regarding the range of clock amplitude to 0.8 ~ 1.5V. |
| 2017.11 | V5.6 | Updated VDDPST from 1.8V ~ 3.3V to 1.8V ~ 3.6V. |
| 2017.11 | V5.7 | <ul style="list-style-type: none">• Corrected a typo in the description of SDIO_DATA_0 in Table 2-1;• Added the testing conditions for the data in Table 5-2. |
| 2018.02 | V5.8 | <ul style="list-style-type: none">• Updated Wi-Fi protocols in Section 1.1;• Updated description of the integrated Tensilica processor in 3.1. |
| 2018.09 | V5.9 | <ul style="list-style-type: none">• Update document cover;• Added a note for Table 1-1;• Updated Wi-Fi key features in Section 1.1;• Updated description of the Wi-Fi function in 3.5;• Updated pin layout diagram;• Fixed a typo in Table 2-1;• Removed Section AHB and AHB module;• Restructured Section Power Management;• Fixed a typo in Section UART;• Removed description of transmission angle in Section IR Remote Control;• Other optimization (wording). |

Documentation Change Notification

Espressif provides email notifications to keep customers updated on changes to technical documentation. Please subscribe at <https://www.espressif.com/en/subscribe>.

Certification

Download certificates for Espressif products from <https://www.espressif.com/en/certificates>.

Table of Contents

| | |
|---|-----------|
| 1. Overview | 1 |
| 1.1. Wi-Fi Key Features | 1 |
| 1.2. Specifications | 2 |
| 1.3. Applications | 3 |
| 2. Pin Definitions | 4 |
| 3. Functional Description | 6 |
| 3.1. CPU, Memory, and Flash | 6 |
| 3.1.1. CPU | 6 |
| 3.1.2. Memory | 6 |
| 3.1.3. External Flash | 7 |
| 3.2. Clock | 7 |
| 3.2.1. High Frequency Clock | 7 |
| 3.2.2. External Clock Requirements | 8 |
| 3.3. Radio | 8 |
| 3.3.1. Channel Frequencies | 8 |
| 3.3.2. 2.4 GHz Receiver | 9 |
| 3.3.3. 2.4 GHz Transmitter | 9 |
| 3.3.4. Clock Generator | 9 |
| 3.4. Wi-Fi | 9 |
| 3.4.1. Wi-Fi Radio and Baseband | 9 |
| 3.4.2. Wi-Fi MAC | 10 |
| 3.5. Power Management | 10 |
| 4. Peripheral Interface | 12 |
| 4.1. General Purpose Input/Output Interface (GPIO) | 12 |
| 4.2. Secure Digital Input/Output Interface (SDIO) | 12 |
| 4.3. Serial Peripheral Interface (SPI/HSPI) | 13 |
| 4.3.1. General SPI (Master/Slave) | 13 |
| 4.3.2. HSPI (Slave) | 13 |
| 4.4. I2C Interface | 14 |
| 4.5. I2S Interface | 14 |
| 4.6. Universal Asynchronous Receiver Transmitter (UART) | 14 |
| 4.7. Pulse-Width Modulation (PWM) | 15 |
| 4.8. IR Remote Control | 16 |
| 4.9. ADC (Analog-to-Digital Converter) | 16 |

| | |
|--|-----------|
| 5. Electrical Specifications | 18 |
| 5.1. Electrical Characteristics..... | 18 |
| 5.2. RF Power Consumption | 18 |
| 5.3. Wi-Fi Radio Characteristics | 19 |
| 6. Package Information | 20 |
| I. Appendix - Pin List | 21 |
| II. Appendix - Learning Resources | 22 |
| II.1. Must-Read Documents | 22 |
| II.2. Must-Have Resources..... | 22 |



1.

Overview

Espressif's ESP8266EX delivers highly integrated Wi-Fi SoC solution to meet users' continuous demands for efficient power usage, compact design and reliable performance in the Internet of Things industry.

With the complete and self-contained Wi-Fi networking capabilities, ESP8266EX can perform either as a standalone application or as the slave to a host MCU. When ESP8266EX hosts the application, it promptly boots up from the flash. The integrated high-speed cache helps to increase the system performance and optimize the system memory. Also, ESP8266EX can be applied to any microcontroller design as a Wi-Fi adaptor through SPI/SDIO or UART interfaces.

ESP8266EX integrates antenna switches, RF balun, power amplifier, low noise receive amplifier, filters and power management modules. The compact design minimizes the PCB size and requires minimal external circuitries.

Besides the Wi-Fi functionalities, ESP8266EX also integrates an enhanced version of Tensilica's L106 Diamond series 32-bit processor and on-chip SRAM. It can be interfaced with external sensors and other devices through the GPIOs. Software Development Kit (SDK) provides sample codes for various applications.

Espressif Systems' Smart Connectivity Platform (ESCP) enables sophisticated features including:

- Fast switch between sleep and wakeup mode for energy-efficient purpose;
- Adaptive radio biasing for low-power operation
- Advance signal processing
- Spur cancellation and RF co-existence mechanisms for common cellular, Bluetooth, DDR, LVDS, LCD interference mitigation

1.1. Wi-Fi Key Features

- 802.11 b/g/n support
- 802.11n support (2.4 GHz), up to 72.2 Mbps
- Defragmentation
- 2 x virtual Wi-Fi interface
- Automatic beacon monitoring (hardware TSF)
- Support Infrastructure BSS Station mode/SoftAP mode/Promiscuous mode
- Antenna diversity



1.2. Specifications

Table 1-1. Specifications

| Categories | Items | Parameters |
|-----------------------------|---|---|
| Wi-Fi | Certification | Wi-Fi Alliance |
| | Protocols | 802.11 b/g/n (HT20) |
| | Frequency Range | 2.4G ~ 2.5G (2400M ~ 2483.5M) |
| | TX Power | 802.11 b: +20 dBm |
| | | 802.11 g: +17 dBm |
| | | 802.11 n: +14 dBm |
| | Rx Sensitivity | 802.11 b: -91 dbm (11 Mbps) |
| 802.11 g: -75 dbm (54 Mbps) | | |
| 802.11 n: -72 dbm (MCS7) | | |
| Antenna | PCB Trace, External, IPEX Connector, Ceramic Chip | |
| Hardware | CPU | Tensilica L106 32-bit processor |
| | Peripheral Interface | UART/SDIO/SPI/I2C/I2S/IR Remote Control |
| | | GPIO/ADC/PWM/LED Light & Button |
| | Operating Voltage | 2.5V ~ 3.6V |
| | Operating Current | Average value: 80 mA |
| | Operating Temperature Range | -40°C ~ 125°C |
| | Package Size | QFN32-pin (5 mm x 5 mm) |
| External Interface | - | |
| Software | Wi-Fi Mode | Station/SoftAP/SoftAP+Station |
| | Security | WPA/WPA2 |
| | Encryption | WEP/TKIP/AES |
| | Firmware Upgrade | UART Download / OTA (via network) |
| | Software Development | Supports Cloud Server Development / Firmware and SDK for fast on-chip programming |
| | Network Protocols | IPv4, TCP/UDP/HTTP |
| | User Configuration | AT Instruction Set, Cloud Server, Android/iOS App |

Note:

The TX power can be configured based on the actual user scenarios.



1.3. Applications

- Home appliances
- Home automation
- Smart plugs and lights
- Industrial wireless control
- Baby monitors
- IP cameras
- Sensor networks
- Wearable electronics
- Wi-Fi location-aware devices
- Security ID tags
- Wi-Fi position system beacons



2. Pin Definitions

Figure 2-1 shows the pin layout for 32-pin QFN package.

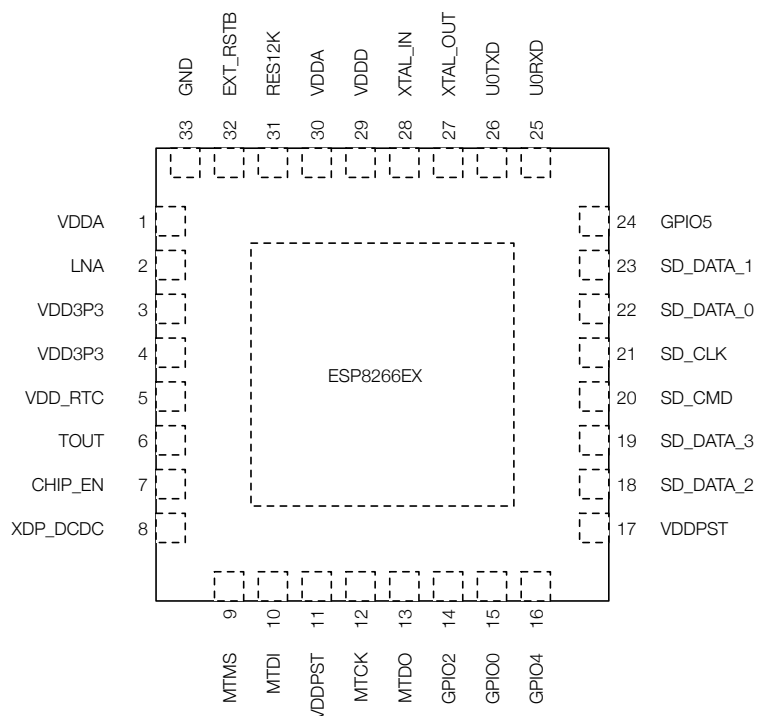


Figure 2-1. Pin Layout (Top View)

Table 2-1 lists the definitions and functions of each pin.

Table 2-1. ESP8266EX Pin Definitions

| Pin | Name | Type | Function |
|-----|---------|------|---|
| 1 | VDDA | P | Analog Power 2.5V ~ 3.6V |
| 2 | LNA | I/O | RF antenna interface Chip output impedance= $-39+j6 \Omega$. It is suggested to retain the π -type matching network to match the antenna. |
| 3 | VDD3P3 | P | Amplifier Power 2.5V ~ 3.6V |
| 4 | VDD3P3 | P | Amplifier Power 2.5V ~ 3.6V |
| 5 | VDD_RTC | P | NC (1.1V) |
| 6 | TOUT | I | ADC pin. It can be used to test the power-supply voltage of VDD3P3 (Pin3 and Pin4) and the input power voltage of TOUT (Pin 6). However, these two functions cannot be used simultaneously. |



| Pin | Name | Type | Function |
|-----|-------------|------|--|
| 7 | CHIP_EN | I | Chip Enable High: On, chip works properly Low: Off, small current consumed |
| 8 | XPD_DCDC | I/O | Deep-sleep wakeup (need to be connected to EXT_RSTB); GPIO16 |
| 9 | MTMS | I/O | GPIO 14; HSPI_CLK |
| 10 | MTDI | I/O | GPIO 12; HSPI_MISO |
| 11 | VDDPST | P | Digital/IO Power Supply (1.8V ~ 3.6V) |
| 12 | MTCK | I/O | GPIO 13; HSPI_MOSI; UART0_CTS |
| 13 | MTDO | I/O | GPIO 15; HSPI_CS; UART0_RTS |
| 14 | GPIO2 | I/O | UART TX during flash programming; GPIO2 |
| 15 | GPIO0 | I/O | GPIO0; SPI_CS2 |
| 16 | GPIO4 | I/O | GPIO4 |
| 17 | VDDPST | P | Digital/IO Power Supply (1.8V ~ 3.6V) |
| 18 | SDIO_DATA_2 | I/O | Connect to SD_D2 (Series R: 200Ω); SPIHD; HSPIHD; GPIO9 |
| 19 | SDIO_DATA_3 | I/O | Connect to SD_D3 (Series R: 200Ω); SPIWP; HSPIWP; GPIO10 |
| 20 | SDIO_CMD | I/O | Connect to SD_CMD (Series R: 200Ω); SPI_CS0; GPIO11 |
| 21 | SDIO_CLK | I/O | Connect to SD_CLK (Series R: 200Ω); SPI_CLK; GPIO6 |
| 22 | SDIO_DATA_0 | I/O | Connect to SD_D0 (Series R: 200Ω); SPI_MISO; GPIO7 |
| 23 | SDIO_DATA_1 | I/O | Connect to SD_D1 (Series R: 200Ω); SPI_MOSI; GPIO8 |
| 24 | GPIO5 | I/O | GPIO5 |
| 25 | U0RXD | I/O | UART Rx during flash programming; GPIO3 |
| 26 | U0TXD | I/O | UART TX during flash programming; GPIO1; SPI_CS1 |
| 27 | XTAL_OUT | I/O | Connect to crystal oscillator output, can be used to provide BT clock input |
| 28 | XTAL_IN | I/O | Connect to crystal oscillator input |
| 29 | VDDD | P | Analog Power 2.5V ~ 3.6V |
| 30 | VDDA | P | Analog Power 2.5V ~ 3.6V |
| 31 | RES12K | I | Serial connection with a 12 kΩ resistor and connect to the ground |
| 32 | EXT_RSTB | I | External reset signal (Low voltage level: active) |

Note:

GPIO2, GPIO0, and MTDO are used to select booting mode and the SDIO mode.



3. Functional Description

The functional diagram of ESP8266EX is shown as in Figure 3-1.

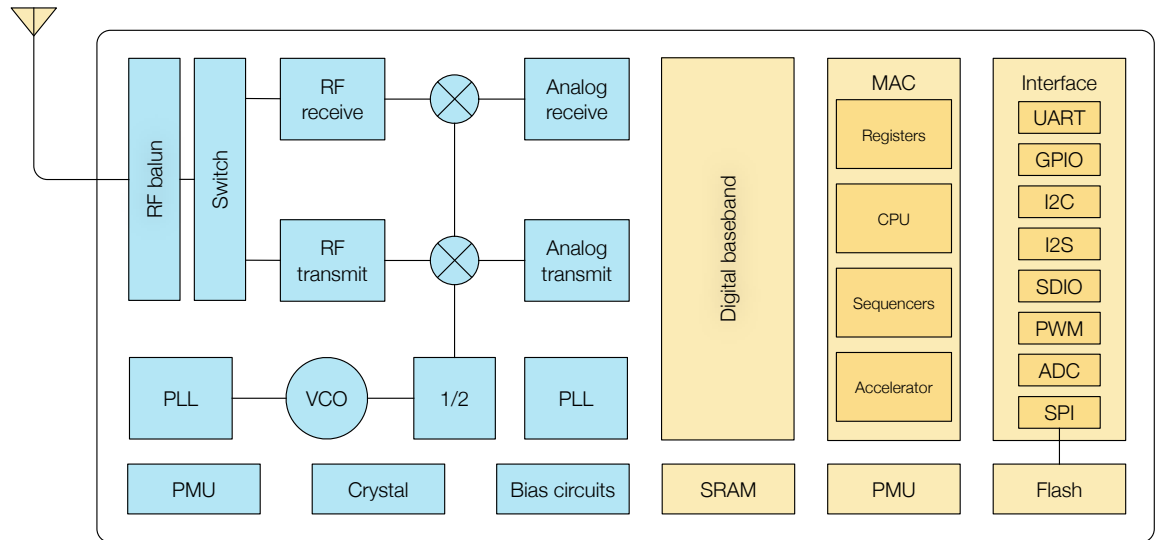


Figure 3-1. Functional Block Diagram

3.1. CPU, Memory, and Flash

3.1.1. CPU

The ESP8266EX integrates a Tensilica L106 32-bit RISC processor, which achieves extra-low power consumption and reaches a maximum clock speed of 160 MHz. The Real-Time Operating System (RTOS) and Wi-Fi stack allow 80% of the processing power to be available for user application programming and development. The CPU includes the interfaces as below:

- Programmable RAM/ROM interfaces (iBus), which can be connected with memory controller, and can also be used to visit flash.
- Data RAM interface (dBus), which can be connected with memory controller.
- AHB interface which can be used to visit the register.

3.1.2. Memory

ESP8266EX Wi-Fi SoC integrates memory controller and memory units including SRAM and ROM. MCU can access the memory units through iBus, dBus, and AHB interfaces. All memory units can be accessed upon request, while a memory arbiter will decide the running sequence according to the time when these requests are received by the processor.

According to our current version of SDK, SRAM space available to users is assigned as below.



- RAM size < 50 kB, that is, when ESP8266EX is working under the Station mode and connects to the router, the maximum programmable space accessible in Heap + Data section is around 50 kB.
- There is no programmable ROM in the SoC. Therefore, user program must be stored in an external SPI flash.

3.1.3. External Flash

ESP8266EX uses external SPI flash to store user programs, and supports up to 16 MB memory capacity theoretically.

The minimum flash memory of ESP8266EX is shown below:

- OTA disabled: 512 kB at least
- OTA enabled: 1 MB at least

! Notice:

SPI mode supported: Standard SPI, Dual SPI and Quad SPI. The correct SPI mode should be selected when flashing bin files to ESP8266. Otherwise, the downloaded firmware/program may not be working properly.

3.2. Clock

3.2.1. High Frequency Clock

The high frequency clock on ESP8266EX is used to drive both transmit and receive mixers. This clock is generated from internal crystal oscillator and external crystal. The crystal frequency ranges from 24 MHz to 52 MHz.

The internal calibration inside the crystal oscillator ensures that a wide range of crystals can be used, nevertheless the quality of the crystal is still a factor to consider to have reasonable phase noise and good Wi-Fi sensitivity. Refer to Table 3-1 to measure the frequency offset.

Table 3-1. High Frequency Clock Specifications

| Parameter | Symbol | Min | Max | Unit |
|---|-------------------|-----|-----|----------|
| Frequency | FXO | 24 | 52 | MHz |
| Loading capacitance | CL | - | 32 | pF |
| Motional capacitance | CM | 2 | 5 | pF |
| Series resistance | RS | 0 | 65 | Ω |
| Frequency tolerance | Δ FXO | -15 | 15 | ppm |
| Frequency vs temperature (-25°C ~ 75°C) | Δ FXO,Temp | -15 | 15 | ppm |



3.2.2. External Clock Requirements

An externally generated clock is available with the frequency ranging from 24 MHz to 52 MHz. The following characteristics are expected to achieve good performance of radio.

Table 3-2. External Clock Reference

| Parameter | Symbol | Min | Max | Unit |
|---|------------------|-----|------|-----------------|
| Clock amplitude | VXO | 0.8 | 1.5 | V _{pp} |
| External clock accuracy | Δ FXO,EXT | -15 | 15 | ppm |
| Phase noise @1-kHz offset, 40-MHz clock | - | - | -120 | dBc/Hz |
| Phase noise @10-kHz offset, 40-MHz clock | - | - | -130 | dBc/Hz |
| Phase noise @100-kHz offset, 40-MHz clock | - | - | -138 | dBc/Hz |

3.3. Radio

ESP8266EX radio consists of the following blocks.

- 2.4 GHz receiver
- 2.4 GHz transmitter
- High speed clock generators and crystal oscillator
- Bias and regulators
- Power management

3.3.1. Channel Frequencies

The RF transceiver supports the following channels according to IEEE802.11b/g/n standards.

Table 3-3. Frequency Channel

| Channel No. | Frequency (MHz) | Channel No. | Frequency (MHz) |
|-------------|-----------------|-------------|-----------------|
| 1 | 2412 | 8 | 2447 |
| 2 | 2417 | 9 | 2452 |
| 3 | 2422 | 10 | 2457 |
| 4 | 2427 | 11 | 2462 |
| 5 | 2432 | 12 | 2467 |
| 6 | 2437 | 13 | 2472 |
| 7 | 2442 | 14 | 2484 |



3.3.2. 2.4 GHz Receiver

The 2.4 GHz receiver down-converts the RF signals to quadrature baseband signals and converts them to the digital domain with 2 high resolution high speed ADCs. To adapt to varying signal channel conditions, RF filters, automatic gain control (AGC), DC offset cancelation circuits and baseband filters are integrated within ESP8266EX.

3.3.3. 2.4 GHz Transmitter

The 2.4 GHz transmitter up-converts the quadrature baseband signals to 2.4 GHz, and drives the antenna with a high-power CMOS power amplifier. The function of digital calibration further improves the linearity of the power amplifier, enabling a state of art performance of delivering +19.5 dBm average TX power for 802.11b transmission and +18 dBm for 802.11n (MCS0) transmission.

Additional calibrations are integrated to offset any imperfections of the radio, such as:

- Carrier leakage
- I/Q phase matching
- Baseband nonlinearities

These built-in calibration functions reduce the product test time and make the test equipment unnecessary.

3.3.4. Clock Generator

The clock generator generates quadrature 2.4 GHz clock signals for the receiver and transmitter. All components of the clock generator are integrated on the chip, including all inductors, varactors, loop filters, linear voltage regulators and dividers.

The clock generator has built-in calibration and self test circuits. Quadrature clock phases and phase noise are optimized on-chip with patented calibration algorithms to ensure the best performance of the receiver and transmitter.

3.4. Wi-Fi

ESP8266EX implements TCP/IP and full 802.11 b/g/n WLAN MAC protocol. It supports Basic Service Set (BSS) STA and SoftAP operations under the Distributed Control Function (DCF). Power management is handled with minimum host interaction to minimize active-duty period.

3.4.1. Wi-Fi Radio and Baseband

The ESP8266EX Wi-Fi Radio and Baseband support the following features:

- 802.11b and 802.11g
- 802.11n MCS0-7 in 20 MHz bandwidth
- 802.11n 0.4 μ s guard-interval
- up to 72.2 Mbps of data rate



- Receiving STBC 2x1
- Up to 20.5 dBm of transmitting power
- Adjustable transmitting power
- Antenna diversity

3.4.2. Wi-Fi MAC

The ESP8266EX Wi-Fi MAC applies low-level protocol functions automatically, as follows:

- 2 × virtual Wi-Fi interfaces
- Infrastructure BSS Station mode/SoftAP mode/Promiscuous mode
- Request To Send (RTS), Clear To Send (CTS) and Immediate Block ACK
- Defragmentation
- CCMP (CBC-MAC, counter mode), TKIP (MIC, RC4), WEP (RC4) and CRC
- Automatic beacon monitoring (hardware TSF)
- Dual and single antenna Bluetooth co-existence support with optional simultaneous receive (Wi-Fi/Bluetooth) capability

3.5. Power Management

ESP8266EX is designed with advanced power management technologies and intended for mobile devices, wearable electronics and the Internet of Things applications.

The low-power architecture operates in the following modes:

- Active mode: The chip radio is powered on. The chip can receive, transmit, or listen.
- Modem-sleep mode: The CPU is operational. The Wi-Fi and radio are disabled.
- Light-sleep mode: The CPU and all peripherals are paused. Any wake-up events (MAC, host, RTC timer, or external interrupts) will wake up the chip.
- Deep-sleep mode: Only the RTC is operational and all other part of the chip are powered off.

Table 3-4. Power Consumption by Power Modes

| Power Mode | Description | Power Consumption |
|--------------------------|---------------------|----------------------|
| Active (RF working) | Wi-Fi TX packet | Please refer to 5-2. |
| | Wi-Fi RX packet | |
| Modem-sleep ^① | CPU is working | 15 mA |
| Light-sleep ^② | - | 0.9 mA |
| Deep-sleep ^③ | Only RTC is working | 20 uA |
| Shut down | - | 0.5 uA |

**Notes:**

- ① **Modem-sleep** mode is used in the applications that require the CPU to be working, as in PWM or I2S applications. According to 802.11 standards (like U-APSD), it shuts down the Wi-Fi Modem circuit while maintaining a Wi-Fi connection with no data transmission to optimize power consumption. E.g. in DTIM3, maintaining a sleep of 300 ms with a wakeup of 3 ms cycle to receive AP's Beacon packages at interval requires about 15 mA current.
- ② During **Light-sleep** mode, the CPU may be suspended in applications like Wi-Fi switch. Without data transmission, the Wi-Fi Modem circuit can be turned off and CPU suspended to save power consumption according to the 802.11 standards (U-APSD). E.g. in DTIM3, maintaining a sleep of 300 ms with a wakeup of 3ms to receive AP's Beacon packages at interval requires about 0.9 mA current.
- ③ During **Deep-sleep** mode, Wi-Fi is turned off. For applications with long time lags between data transmission, e.g. a temperature sensor that detects the temperature every 100s, sleeps for 300s and wakes up to connect to the AP (taking about 0.3 ~ 1s), the overall average current is less than 1mA. The current of 20 μ A is acquired at the voltage of 2.5V.



4. Peripheral Interface

4.1. General Purpose Input/Output Interface (GPIO)

ESP8266EX has 17 GPIO pins which can be assigned to various functions by programming the appropriate registers.

Each GPIO PAD can be configured with internal pull-up or pull-down (XPD_DCDC can only be configured with internal pull-down, other GPIO PAD can only be configured with internal pull-up), or set to high impedance. When configured as an input, the data are stored in software registers; the input can also be set to edge-trigger or level trigger CPU interrupts. In short, the IO pads are bi-directional, non-inverting and tristate, which includes input and output buffer with tristate control inputs.

These pins, when working as GPIOs, can be multiplexed with other functions such as I2C, I2S, UART, PWM, and IR Remote Control, etc.

For low power operations, the GPIOs can also be set to hold their state. For instance, when the IOs are not driven by internal and external circuits, all outputs will hold their states before the chip entered the low power modes.

The required drive strength is small— 5 μ A or more is enough to pull apart the latch.

4.2. Secure Digital Input/Output Interface (SDIO)

ESP8266EX has one Slave SDIO, the definitions of which are described as Table 4-1, which supports 25 MHz SDIO v1.1 and 50 MHz SDIO v2.0, and 1 bit/4 bit SD mode and SPI mode.

Table 4-1. Pin Definitions of SDIOs

| Pin Name | Pin Num | IO | Function Name |
|-------------|---------|------|---------------|
| SDIO_CLK | 21 | IO6 | SDIO_CLK |
| SDIO_DATA0 | 22 | IO7 | SDIO_DATA0 |
| SDIO_DATA1 | 23 | IO8 | SDIO_DATA1 |
| SDIO_DATA_2 | 18 | IO9 | SDIO_DATA_2 |
| SDIO_DATA_3 | 19 | IO10 | SDIO_DATA_3 |
| SDIO_CMD | 20 | IO11 | SDIO_CMD |



4.3. Serial Peripheral Interface (SPI/HSPI)

ESP8266EX has two SPIs.

- One general Slave/Master SPI
- One general Slave HSPI

Functions of all these pins can be implemented via hardware.

4.3.1. General SPI (Master/Slave)

Table 4-2. Pin Definitions of SPIs

| Pin Name | Pin Num | IO | Function Name |
|-------------|---------|------|---------------|
| SDIO_CLK | 21 | IO6 | SPICLK |
| SDIO_DATA0 | 22 | IO7 | SPIQ/MISO |
| SDIO_DATA1 | 23 | IO8 | SPID/MOSI |
| SDIO_DATA_2 | 18 | IO9 | SPIHD |
| SDIO_DATA_3 | 19 | IO10 | SPIWP |
| U0TXD | 26 | IO1 | SPICS1 |
| GPIO0 | 15 | IO0 | SPICS2 |

Note:

SPI mode can be implemented via software programming. The clock frequency is 80 MHz at maximum when working as a master, 20 MHz at maximum when working as a slave.

4.3.2. HSPI (Slave)

Table 4-3. Pin Definitions of HSPI (Slave)

| Pin Name | Pin Num | IO | Function Name |
|----------|---------|------|---------------|
| MTMS | 9 | IO14 | HSPICLK |
| MTDI | 10 | IO12 | HSPIQ/MISO |
| MTCK | 12 | IO13 | HSPID/MOSI |
| MTDO | 13 | IO15 | HPSICS |

Note:

SPI mode can be implemented via software programming. The clock frequency is 20 MHz at maximum.



4.4. I2C Interface

ESP8266EX has one I2C, which is realized via software programming, used to connect with other microcontrollers and other peripheral equipments such as sensors. The pin definition of I2C is as below.

Table 4-4. Pin Definitions of I2C

| Pin Name | Pin Num | IO | Function Name |
|----------|---------|------|---------------|
| MTMS | 9 | IO14 | I2C_SCL |
| GPIO2 | 14 | IO2 | I2C_SDA |

Both I2C Master and I2C Slave are supported. I2C interface functionality can be realized via software programming, and the clock frequency is 100 kHz at maximum.

4.5. I2S Interface

ESP8266EX has one I2S data input interface and one I2S data output interface, and supports the linked list DMA. I2S interfaces are mainly used in applications such as data collection, processing, and transmission of audio data, as well as the input and output of serial data. For example, LED lights (WS2812 series) are supported. The pin definition of I2S is shown in Table 4-5.

Table 4-5. Pin Definitions of I2S

| I2S Data Input | | | |
|----------------|---------|------|---------------|
| Pin Name | Pin Num | IO | Function Name |
| MTDI | 10 | IO12 | I2SI_DATA |
| MTCK | 12 | IO13 | I2SI_BCK |
| MTMS | 9 | IO14 | I2SI_WS |
| MTDO | 13 | IO15 | I2SO_BCK |
| U0RXD | 25 | IO3 | I2SO_DATA |
| GPIO2 | 14 | IO2 | I2SO_WS |

4.6. Universal Asynchronous Receiver Transmitter (UART)

ESP8266EX has two UART interfaces UART0 and UART1, the definitions are shown in Table 4-6.



Table 4-6. Pin Definitions of UART

| Pin Type | Pin Name | Pin Num | IO | Function Name |
|----------|----------|---------|------|---------------|
| UART0 | U0RXD | 25 | IO3 | U0RXD |
| | U0TXD | 26 | IO1 | U0TXD |
| | MTDO | 13 | IO15 | U0RTS |
| | MTCK | 12 | IO13 | U0CTS |
| UART1 | GPIO2 | 14 | IO2 | U1TXD |
| | SD_D1 | 23 | IO8 | U1RXD |

Data transfers to/from UART interfaces can be implemented via hardware. The data transmission speed via UART interfaces reaches 115200 x 40 (4.5 Mbps).

UART0 can be used for communication. It supports flow control. Since UART1 features only data transmit signal (TX), it is usually used for printing log.

Note:

By default, UART0 outputs some printed information when the device is powered on and booting up. The baud rate of the printed information is relevant to the frequency of the external crystal oscillator. If the frequency of the crystal oscillator is 40 MHz, then the baud rate for printing is 115200; if the frequency of the crystal oscillator is 26 MHz, then the baud rate for printing is 74880. If the printed information exerts any influence on the functionality of the device, it is suggested to block the printing during the power-on period by changing (U0TXD, U0RXD) to (MTDO, MTCK).

4.7. Pulse-Width Modulation (PWM)

ESP8266EX has four PWM output interfaces. They can be extended by users themselves. The pin definitions of the PWM interfaces are defined as below.

Table 4-7. Pin Definitions of PWM

| Pin Name | Pin Num | IO | Function Name |
|----------|---------|------|---------------|
| MTDI | 10 | IO12 | PWM0 |
| MTDO | 13 | IO15 | PWM1 |
| MTMS | 9 | IO14 | PWM2 |
| GPIO4 | 16 | IO4 | PWM3 |

The functionality of PWM interfaces can be implemented via software programming. For example, in the LED smart light demo, the function of PWM is realized by interruption of the timer, the minimum resolution reaches as high as 44 ns. PWM frequency range is adjustable from 1000 μ s to 10000 μ s, i.e., between 100 Hz and 1 kHz. When the PWM frequency is 1 kHz, the duty ratio will be 1/22727, and a resolution of over 14 bits will be achieved at 1 kHz refresh rate.



4.8. IR Remote Control

ESP8266EX currently supports one infrared remote control interface. For detailed pin definitions, please see Table 4-8 below.

Table 4-8. Pin Definitions of IR Remote Control

| Pin Name | Pin Num | IO | Function Name |
|----------|---------|------|---------------|
| MTMS | 9 | IO14 | IR TX |
| GPIO5 | 24 | IO 5 | IR Rx |

The functionality of Infrared remote control interface can be implemented via software programming. NEC coding, modulation, and demodulation are supported by this interface. The frequency of modulated carrier signal is 38 kHz, while the duty ratio of the square wave is 1/3. The transmission range is around 1m which is determined by two factors: one is the maximum current drive output, the other is internal current-limiting resistance value in the infrared receiver. The larger the resistance value, the lower the current, so is the power, and vice versa.

4.9. ADC (Analog-to-Digital Converter)

ESP8266EX is embedded with a 10-bit precision SAR ADC. TOUT (Pin6) is defined as below:

Table 4-9. Pin Definition of ADC

| Pin Name | Pin Num | Function Name |
|----------|---------|---------------|
| TOUT | 6 | ADC Interface |

The following two measurements can be implemented using ADC (Pin6). However, they cannot be implemented at the same time.

- Measure the power supply voltage of VDD3P3 (Pin3 and Pin4).

| | |
|-----------------------------|---|
| Hardware Design | TOUT must be floating. |
| RF Initialization Parameter | The 107th byte of <i>esp_init_data_default.bin</i> (0 ~ 127 bytes), <i>vdd33_const</i> must be set to <code>0xFF</code> . |
| RF Calibration Process | Optimize the RF circuit conditions based on the testing results of VDD3P3 (Pin3 and Pin4). |
| User Programming | Use <code>system_get_vdd33</code> instead of <code>system_adc_read</code> . |

- Measure the input voltage of TOUT (Pin6).

| | |
|-----------------|--|
| Hardware Design | The input voltage range is 0 to 1.0V when TOUT is connected to external circuit. |
|-----------------|--|



| | |
|-----------------------------|---|
| RF Initialization Parameter | The value of the 107th byte of esp_init_data_default.bin (0 ~ 127 bytes), vdd33_const must be set to the real power supply voltage of Pin3 and Pin4. The unit and effective value range of vdd33_const is 0.1V and 18 to 36, respectively, thus making the working power voltage range of ESP8266EX between 1.8V and 3.6V, |
| RF Calibration Process | Optimize the RF circuit conditions based on the value of vdd33_const . The permissible error is $\pm 0.2V$. |
| User Programming | Use <code>system_adc_read</code> instead of <code>system_get_vdd33</code> . |

Notes:

esp_init_data_default.bin is provided in SDK package which contains RF initialization parameters (0 ~ 127 bytes). The name of the 107th byte in **esp_init_data_default.bin** is **vdd33_const**, which is defined as below:

- When **vdd33_const** = 0xff, the power voltage of Pin3 and Pin4 will be tested by the internal self-calibration process of ESP8266EX itself. RF circuit conditions should be optimized according to the testing results.
- When $18 \leq \text{vdd33_const} \leq 36$, ESP8266EX RF Calibration and optimization process is implemented via ($\text{vdd33_const}/10$).
- When **vdd33_const** < 18 or $36 < \text{vdd33_const} < 255$, **vdd33_const** is invalid. ESP8266EX RF Calibration and optimization process is implemented via the default value 3.3V.



5. Electrical Specifications

5.1. Electrical Characteristics

Table 5-1. Electrical Characteristics

| Parameters | Conditions | Min | Typical | Max | Unit |
|-------------------------------|---------------------|-----|--------------|-----|--------------|
| Operating Temperature Range | - | -40 | Normal | 125 | °C |
| Maximum Soldering Temperature | IPC/JEDEC J-STD-020 | - | - | 260 | °C |
| Working Voltage Value | - | 2.5 | 3.3 | 3.6 | V |
| I/O | V_{IL} | - | -0.3 | - | $0.25V_{IO}$ |
| | V_{IH} | - | $0.75V_{IO}$ | - | 3.6 |
| | V_{OL} | - | - | - | $0.1V_{IO}$ |
| | V_{OH} | - | $0.8V_{IO}$ | - | - |
| | I_{MAX} | - | - | - | 12 |
| Electrostatic Discharge (HBM) | TAMB=25°C | - | - | 2 | KV |
| Electrostatic Discharge (CDM) | TAMB=25°C | - | - | 0.5 | KV |

5.2. RF Power Consumption

Unless otherwise specified, the power consumption measurements are taken with a 3.0V supply at 25°C of ambient temperature. All transmitters' measurements are based on a 50% duty cycle.

Table 5-2. Power Consumption

| Parameters | Min | Typical | Max | Unit |
|---|-----|---------|-----|------|
| TX 802.11b, CCK 11Mbps, $P_{OUT}=+17$ dBm | - | 170 | - | mA |
| TX 802.11g, OFDM 54Mbps, $P_{OUT}=+15$ dBm | - | 140 | - | mA |
| TX 802.11n, MCS7, $P_{OUT}=+13$ dBm | - | 120 | - | mA |
| Rx 802.11b, 1024 bytes packet length, -80 dBm | - | 50 | - | mA |
| Rx 802.11g, 1024 bytes packet length, -70 dBm | - | 56 | - | mA |
| Rx 802.11n, 1024 bytes packet length, -65 dBm | - | 56 | - | mA |



5.3. Wi-Fi Radio Characteristics

The following data are from tests conducted at room temperature, with a 3.3V power supply.

Table 5-3. Wi-Fi Radio Characteristics

| Parameters | Min | Typical | Max | Unit |
|----------------------------------|------|---------|------|----------|
| Input frequency | 2412 | - | 2484 | MHz |
| Output impedance | - | 39+j6 | - | Ω |
| Output power of PA for 72.2 Mbps | 15.5 | 16.5 | 17.5 | dBm |
| Output power of PA for 11b mode | 19.5 | 20.5 | 21.5 | dBm |
| Sensitivity | | | | |
| DSSS, 1 Mbps | - | -98 | - | dBm |
| CCK, 11 Mbps | - | -91 | - | dBm |
| 6 Mbps (1/2 BPSK) | - | -93 | - | dBm |
| 54 Mbps (3/4 64-QAM) | - | -75 | - | dBm |
| HT20, MCS7 (65 Mbps, 72.2 Mbps) | - | -72 | - | dBm |
| Adjacent Channel Rejection | | | | |
| OFDM, 6 Mbps | - | 37 | - | dB |
| OFDM, 54 Mbps | - | 21 | - | dB |
| HT20, MCS0 | - | 37 | - | dB |
| HT20, MCS7 | - | 20 | - | dB |



6. Package Information

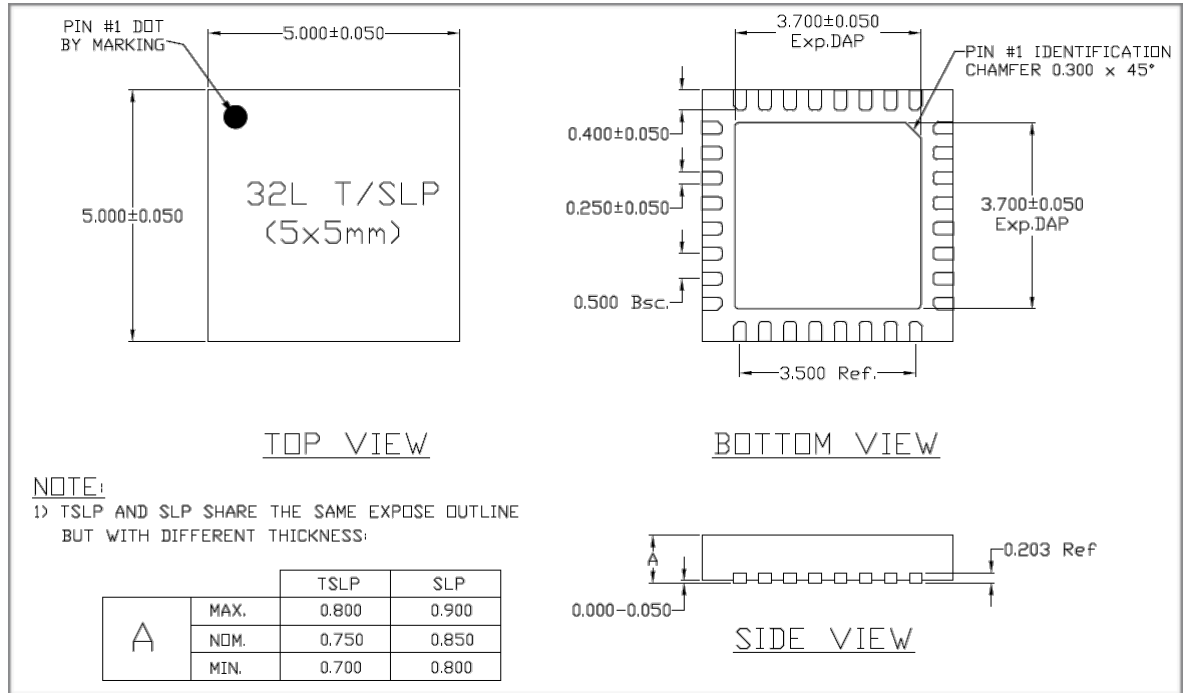


Figure 6-1. ESP8266EX Package



I. Appendix - Pin List

For detailed pin information, please see [ESP8266 Pin List](#).

- Digital Die Pin List
- Buffer Sheet
- Register List
- Strapping List

Notes:

- *INST_NAME* refers to the *IO_MUX REGISTER* defined in **eagle_soc.h**, for example *MTDI_U* refers to *PERIPHS_IO_MUX_MTDI_U*.
- *Net Name* refers to the pin name in schematic.
- *Function* refers to the multifunction of each pin pad.
- *Function number 1 ~ 5* correspond to *FUNCTION 0 ~ 4* in SDK. For example, set *MTDI* to *GPIO12* as follows.
 - `#define FUNC_GPIO12 3 //defined in eagle_soc.h`
 - `PIN_FUNC_SELECT(PERIPHS_IO_MUX_MTDI_U, FUNC_GPIO12)`



II. Appendix - Learning Resources

II.1. Must-Read Documents

- [ESP8266 Quick Start Guide](#)

Description: This document is a quick user guide to getting started with ESP8266. It includes an introduction to the ESP-LAUNCHER, instructions on how to download firmware to the board and run it, how to compile the AT application, as well as the structure and debugging method of RTOS SDK. Basic documentation and other related resources for the ESP8266 are also provided.
- [ESP8266 SDK Getting Started Guide](#)

Description: This document takes ESP-LAUNCHER and ESP-WROOM-02 as examples of how to use the ESP8266 SDK. The contents include preparations before compilation, SDK compilation and firmware download.
- [ESP8266 Pin List](#)

Description: This link directs you to a list containing the type and function of every ESP8266 pin.
- [ESP8266 Hardware Design Guideline](#)

Description: This document provides a technical description of the ESP8266 series of products, including ESP8266EX, ESP-LAUNCHER and ESP-WROOM.
- [ESP8266 Hardware Matching Guide](#)

Description: This document introduces the frequency offset tuning and antenna impedance matching for ESP8266 in order to achieve optimal RF performance.
- [ESP8266 Technical Reference](#)

Description: This document provides an introduction to the interfaces integrated on ESP8266. Functional overview, parameter configuration, function description, application demos and other pieces of information are included.
- [ESP8266 Hardware Resources](#)

Description: This zip package includes manufacturing BOMs, schematics and PCB layouts of ESP8266 boards and modules.
- [FAQ](#)

II.2. Must-Have Resources

- [ESP8266 SDKs](#)



Description: This webpage provides links both to the latest version of the ESP8266 SDK and the older ones.

- [ESP8266 Tools](#)

Description: This webpage provides links to both the ESP8266 flash download tools and the ESP8266 performance evaluation tools.

- [ESP8266 Apps](#)
- [ESP8266 Certification and Test Guide](#)
- [ESP8266 BBS](#)
- [ESP8266 Resources](#)



Espressif IOT Team
www.espressif.com

Disclaimer and Copyright Notice

Information in this document, including URL references, is subject to change without notice.

THIS DOCUMENT IS PROVIDED AS IS WITH NO WARRANTIES WHATSOEVER, INCLUDING ANY WARRANTY OF MERCHANTABILITY, NON-INFRINGEMENT, FITNESS FOR ANY PARTICULAR PURPOSE, OR ANY WARRANTY OTHERWISE ARISING OUT OF ANY PROPOSAL, SPECIFICATION OR SAMPLE.

All liability, including liability for infringement of any proprietary rights, relating to use of information in this document is disclaimed. No licenses express or implied, by estoppel or otherwise, to any intellectual property rights are granted herein.

The Wi-Fi Alliance Member logo is a trademark of the Wi-Fi Alliance. The Bluetooth logo is a registered trademark of Bluetooth SIG.

All trade names, trademarks and registered trademarks mentioned in this document are property of their respective owners, and are hereby acknowledged.

Copyright © 2018 Espressif Inc. All rights reserved.