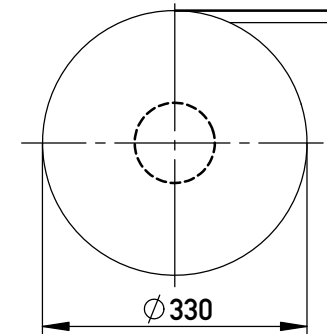


Verpackt in Gurtverpackung  
*Tape on Reel Packaging*  
 Verpackungseinheit: 280 Stück  
*Packaging unit: 280 pcs*



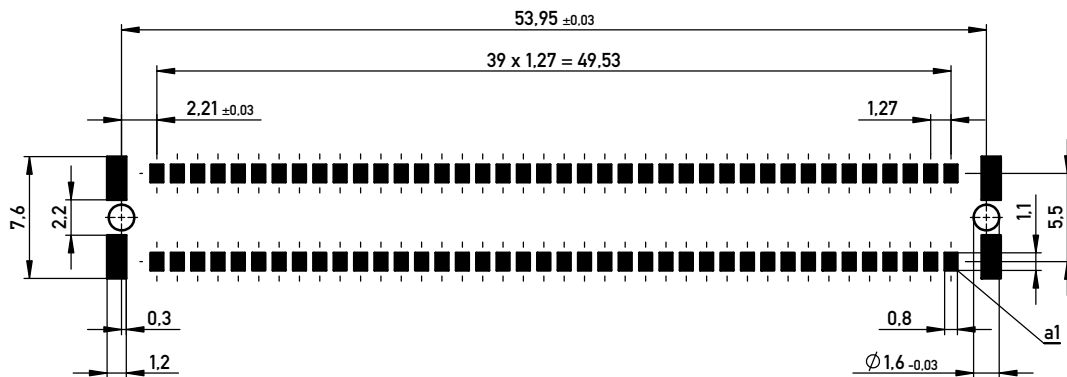
Anforderungsstufe 1  
*Performance Level 1*

Kontaktbereich vergoldet  
*Mating Area gold plating*

Anschlussbereich verzinkt 4-6 µm  
*Terminal Area 4-6 µm tin plating*

Koplanarität der Anschlüsse ≤ 0,1 mm  
*Coplanarity Area of Termination ≤ 0,1 mm*

Leiterplatten-Layout Vorschlag für SMT  
*PCB-Layout Proposal for SMT*



BA 8-03 - Standard Bauhöhe

type 8-03 - Standard Assembly Height

Information:		Tolerances	All Dimensions in mm	Scale	3:1
All rights reserved. Only for Information. To ensure that this is the latest version of this drawing, please contact one of the ERNI companies before using.		Subject to modification without prior notice. Drawing will not be updated.		Designation	
		www.ERNI.com		Messerl. SMC-Q 80-SMD-BA8-03 Male SMC-Q 80-SMD-type8-03	
d	08.07.2013			244858	
Index	Date			I A3	
				Class	SMCQ

Copyright by ERNI GmbH  
 Proprietary notice pursuant to ISO 9006 to be observed.

# Mouser Electronics

Authorized Distributor

Click to View Pricing, Inventory, Delivery & Lifecycle Information:

[ERNI Electronics:](#)

[244858](#)