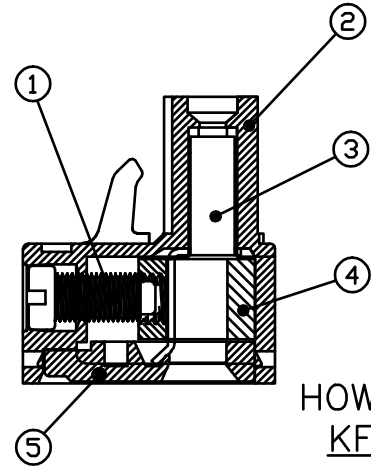
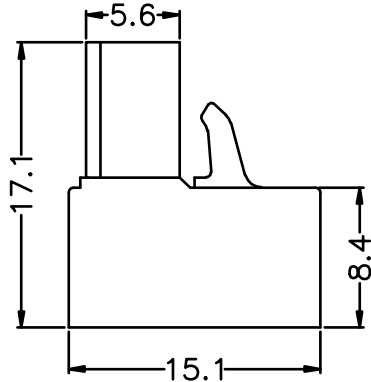
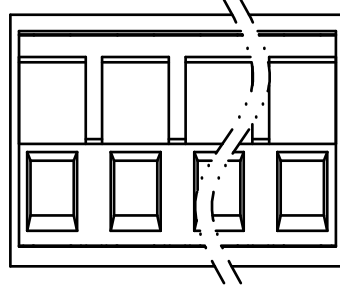
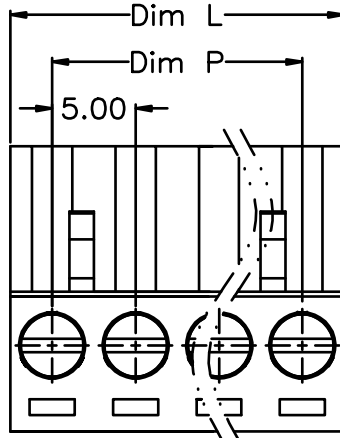
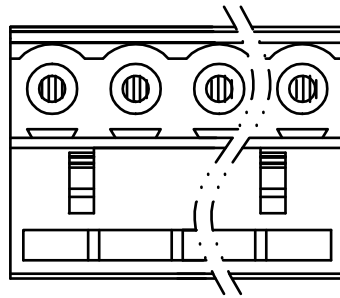


REV.	DESCRIPTION	DATE	DRAWN	APPROVED
A1	DWG.REL	2016/10/7	FANG	YANG



- Material
  - ØScrews : M3.0 steel, Zinc plated,“-” slot type
  - ØHousing : PA66, UL94V-0
  - ØContact : Phosphor bronze, Ni plated
  - ØClamp : Brass, Ni plated
  - ØCover : PA66, UL94V-0

- Electrical
 

UL	IEC
Rated voltage : 300V	320V
Rated current : 15A	20A
Insulation resistance: 500MΩ/DC500V	
Withstanding Voltage : AC2000V/1min	
Wire range: 28-12AWG	2.5mm <sup>2</sup>

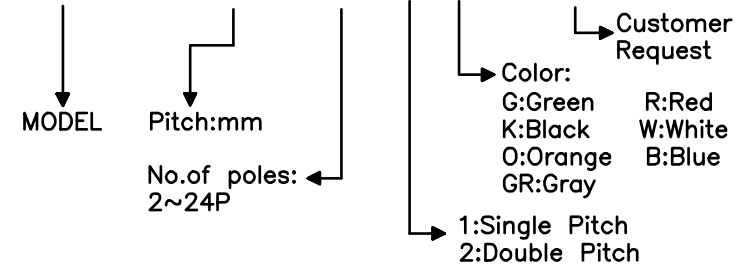
- Mechanical
  - Operating temperature: -40℃~+105℃
  - Soldering temperature: 250℃±5/5sec
  - Torque: 0.5N.m (4.43Lb.in)
  - Strip length: 7-8mm

N=Number of Poles  
 Dim P=(N-1)x5.08  
 Dim L=Nx5.08

Poles	Dim	Dim P	Dim L
2-6P		±0.10	±0.15
7-12P		±0.20	±0.20
13-18P		±0.25	±0.30
19-24P		±0.30	±0.40

HOW TO ORDER

KF2EDG-X-5.08-XXP-1 X-XXXXX



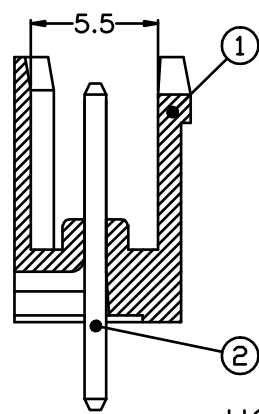
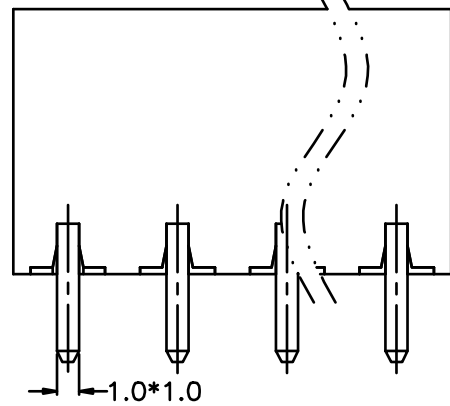
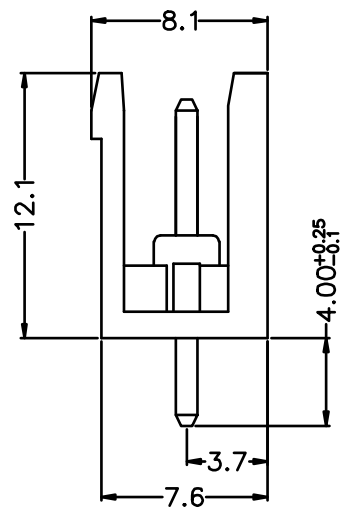
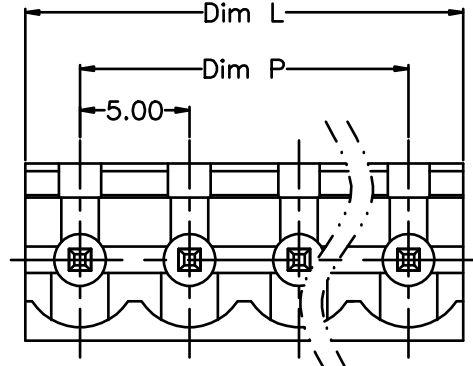
GENERAL TOLERANCE		ANGLE TOLERANCE	
X.	±0.5	X°	±5°
.X	±0.3	.X°	±3°
.XX	±0.1	.XX°	±1°

PROJECTION	TITLE
	KF2EDG-X-5.08-XXP
UNITS	mm
SHEET SIZE	A4
SERIES	KF2EDG-X

DRAWING TYPE	CUSTOMER		
SCALE	1:1	SHEET	1 OF 1
DRAWING NO.	XP0012016-xxxx		

**DF** 慈溪市凯峰电子有限公司  
 KAIFENG ELECTRONIC CIXI KAIFENG ELECTRONIC CO.,LTD

REV.	DESCRIPTION	DATE	DRAWN	APPROVED
A1	DWG.REL	2016/10/7	FANG	YANG



- Material
  - ØHousing : PA66, UL94V-0
  - ØPin header : Brass, Tin plated
- Electrical
 

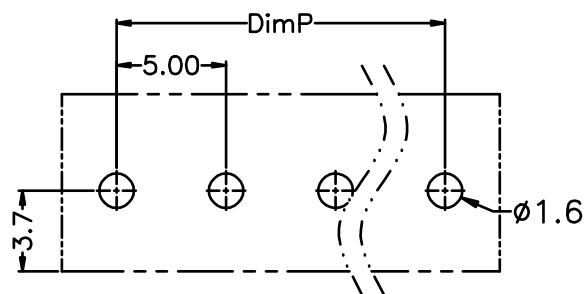
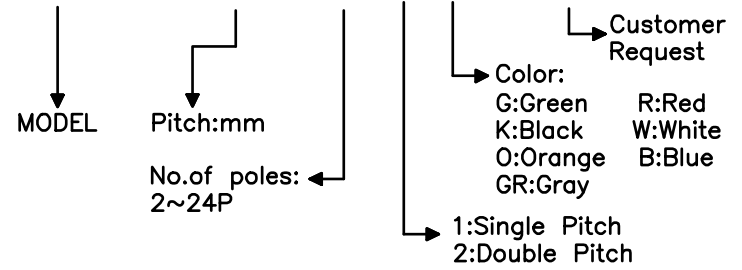
	UL	IEC
Rated voltage :	300V	320V
Rated current :	15A	20A
Insulation resistance:	500MΩ/DC500V	
Withstanding Voltage :	AC2000V/1min	
- Mechanical
  - Operating temperature: -40℃~+105℃
  - Soldering temperature: 250℃±5/5sec

N=Number of Poles  
 Dim P=(N-1)x5.00  
 Dim L=Nx5.00

Poles	Dim P	Dim L
2-6P	±0.10	±0.15
7-12P	±0.20	±0.20
13-18P	±0.25	±0.30
19-24P	±0.30	±0.40

HOW TO ORDER

KF2EDGV-X-5.0-XXP-1 X-XXXX



P.C.B.LAYUOT

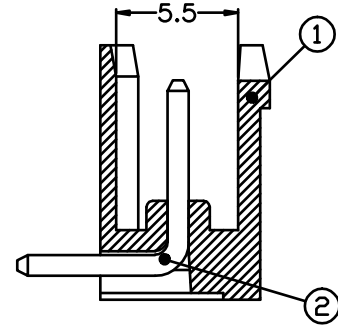
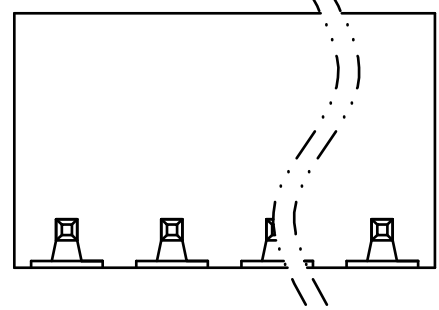
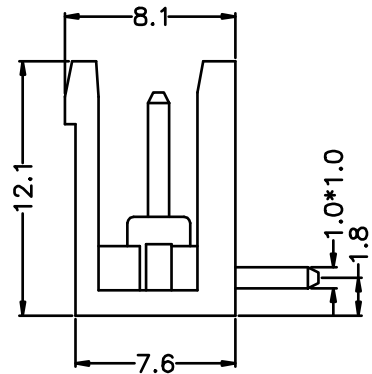
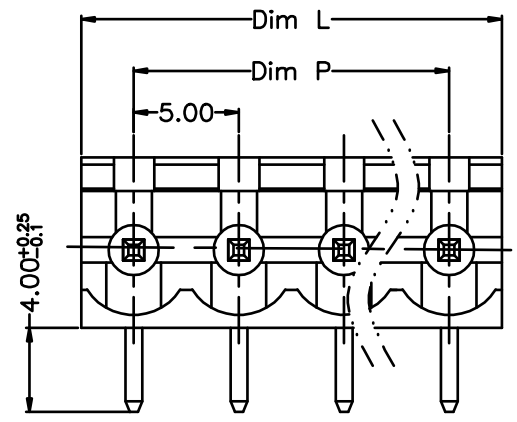
GENERAL TOLERANCE		ANGLE TOLERANCE	
X.	±0.5	X°	±5°
.X	±0.3	.X°	±3°
.XX	±0.1	.XX°	±1°

DRAWING TYPE	CUSTOMER		
SCALE	1:1	SHEET	1 OF 1
DRAWING NO.	XP0012016-xxxx		

PROJECTION		TITLE	KF2EDGV-X-5.0-XXP
UNITS	mm	SERIES	KF2EDGV-X

**DF** 慈溪市凯峰电子有限公司  
 KAIFENG ELECTRONIC CIXI KAIFENG ELECTRONIC CO.,LTD

REV.	DESCRIPTION	DATE	DRAWN	APPROVED
A1	DWG.REL	2016/10/7	FANG	YANG

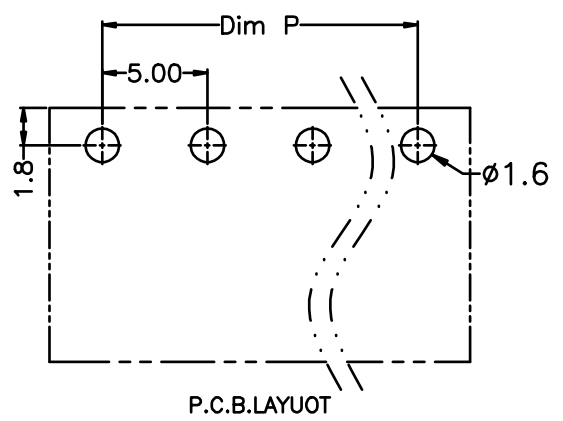
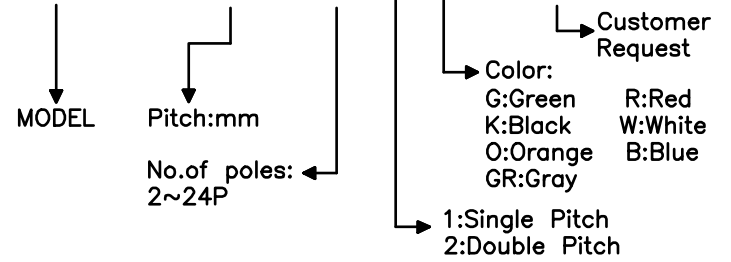


- Material  
 ○Housing : PA66, UL94V-0  
 ○Pin header : Brass, Tin plated
- Electrical
 

	UL	IEC
Rated voltage :	300V	320V
Rated current :	15A	20A
Insulation resistance:	500MΩ/DC500V	
Withstanding Voltage :	AC2000V/1min	
- Mechanical  
 Operating temperature: -40℃~+105℃  
 Soldering temperature: 250℃±5/5sec

HOW TO ORDER

KF2EDGR-X-5.0-XXP-1 X-XXXXX



N=Number of Poles  
 Dim P=(N-1)x5.00  
 Dim L=Nx5.00

Poles	Dim	Dim P	Dim L
2-6P	±0.10	±0.15	
7-12P	±0.20	±0.20	
13-18P	±0.25	±0.30	
19-24P	±0.30	±0.40	

GENERAL TOLERANCE		ANGLE TOLERANCE	
X.	±0.5	X°	±5°
.X	±0.3	.X°	±3°
.XX	±0.1	.XX°	±1°

DRAWING TYPE	CUSTOMER		
SCALE	1:1	SHEET	1 OF 1
DRAWING NO.	XP0012016-xxxx		

PROJECTION	TITLE
mm	KF2EDGR-X-5.0-XXP
SHEET SIZE	A4
SERIES	KF2EDGR-X

**DF** 慈溪市凯峰电子有限公司  
 KAIFENG ELECTRONIC CIXI KAIFENG ELECTRONIC CO.,LTD