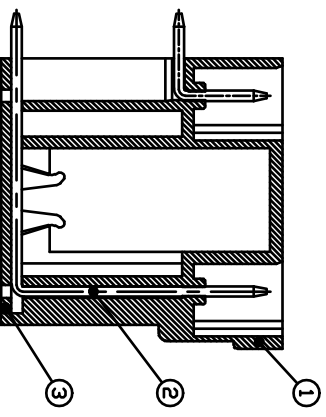
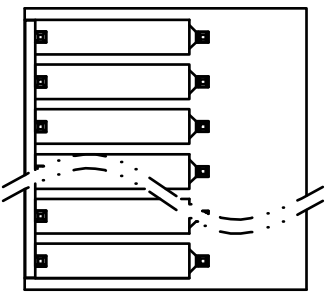
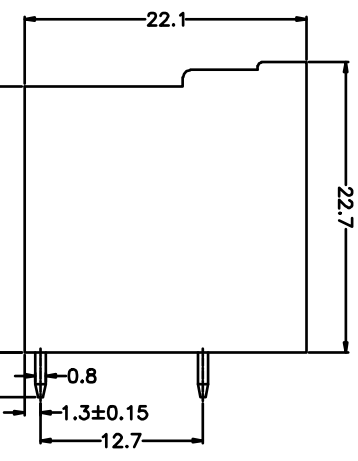
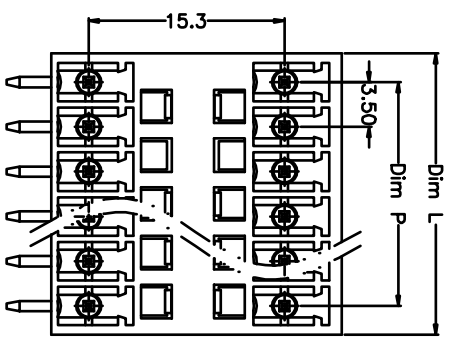


REV.	DESCRIPTION	DATE	DRAWN	APPROVED
A1	DWG.REL	2016/10/7	FANG	YANG

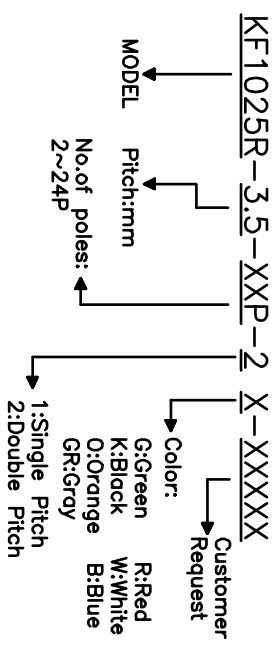


- Material
  - ①Housing : PA66, UL94V-0
  - ②Pin header : Brass, Tin plated
  - ③Cover : PA66, UL94V-0

- Electrical
  - UL IEC
  - Rated voltage : 300V 250V
  - Rated current : 8A 7A
  - Insulation resistance: 500MΩ/DC500V
  - Withstanding Voltage : AC1500V/1min

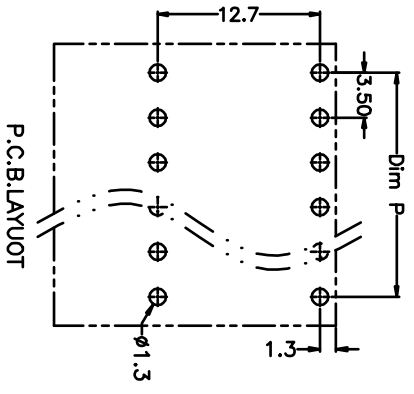
- Mechanical
  - Operating temperature: -40°C~+105°C
  - Soldering temperature: 250°C±5/5sec

HOW TO ORDER



N=Number of Poles  
Dim P=(N-1)×3.50  
Dim L=N×3.50+1

Poles	Dim P	Dim L
2-6P	±0.10	±0.15
7-12P	±0.20	±0.20
13-18P	±0.25	±0.30
19-24P	±0.30	±0.40



GENERAL TOLERANCE ANGLE TOLERANCE

X.	±0.5	X.	±5°
.X	±0.3	.X.	±3°
.XX	±0.1	.XX.	±1°

DRAWING TYPE	CUSTOMER	SHEET	1 OF 1
SCALE	1:1	SHEET	1 OF 1
DRAWING NO.	XP0012016-xxxx		

PROJECTION	TITLE
UNITS	KF1025R-3.5-XXP
SHEET SIZE	A4
SERIES	KF1025R

**凯峰电子有限公司**  
CIXI KAIFENG ELECTRONIC CO.,LTD