

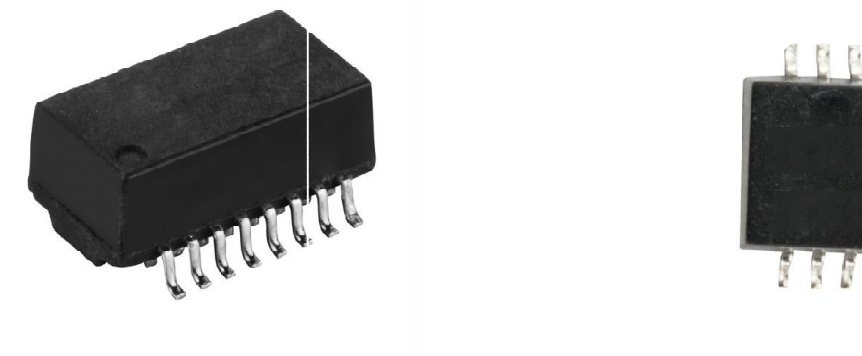
Quick Details

Model Number:
L-KLS12-TFR-006
Type: RJ45
Application: PCB
Place of Origin: Zhejiang, China
Gender: Female
Brand Name: KLS
Number of Ports: 16P
Speed: 100 Base-TX
Application - LAN: ETHERNET (NON PoE)
Latch: Down
Pin Type: SMT
Green&Orange/Yellow: NO
Supply Ability
Supply Ability
1000000 Piece/Pieces per Month
Packaging & Delivery
Packaging Details
60pcs/blister.
1CTN 15KGS 0.039CBM
Port
Shenzhen/Hongkong/Shanghai/Ningbo/Tianjin/Beihai/Nanjing/Guangzhou

100 Base-TX Transformer Module 16P SMT

Product Description

Item Name:	100 Base-TX Transformer Module 16P SMT
Number of Ports:	16P
Speed:	100 Base-TX
Application - LAN:	ETHERNET (NON PoE)
Pin Type:	SMT
Latch:	Down
Storage:	-40 C ~ +80 C,90%RH
	IEEE802 3af ANSI X3.263 compliant performance
Storage temperature range	-40~+80°C 90%RH
RoHS compliant	YES
Operating Humidity	90%RH

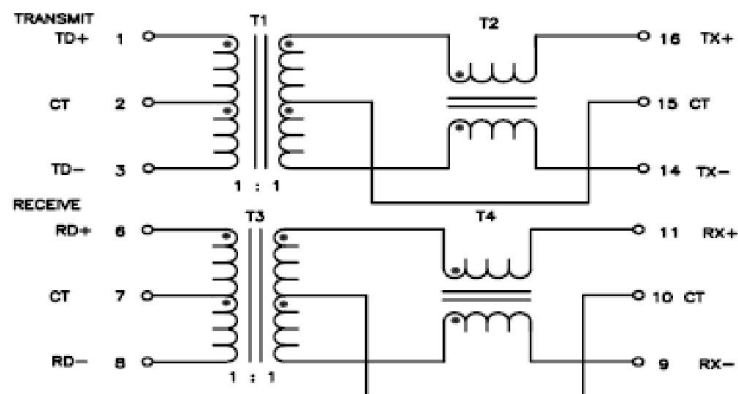


Electrical Specification

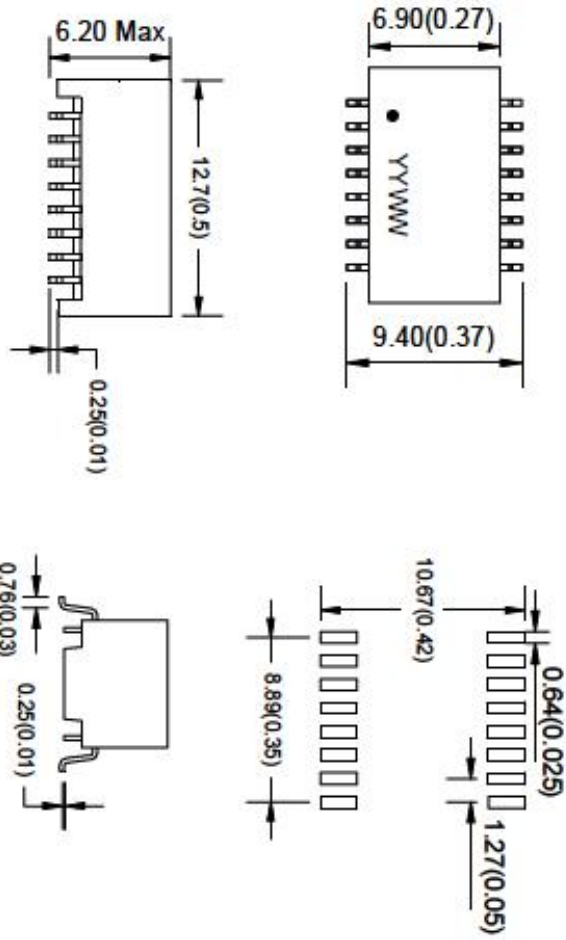
Electrical Specification@25°C Operating Temperature 0 to +70°C							
Part NO	Trun Ratio (±3%)		OCL primary@ 100KHz,0.1Vrms,8mA	Leakage primary@ 10KHz,0.1Vrms	Cww (Pri.:Sec.)	DCR (Ω)	
	TX	RX				Primary	Secondary
KMS-1102NL	1CT:1CT	1CT:1CT	350uH Min	0.5uH max	35pF Max	0.9 Max	1.2 Max

Electrical Specification@25°C Operating Temperature 0 to +70°C									
Part NO	Insertion loss (dB max) 1-100MHz	Return loss(dB min) MHz				DMRR (dB min .) MHz		Crosstalk (dB min .) MHz	Isolation Voltage (Vrms min)
		1-30	40	50	60-100	1-60	60-100		
KMS-1102NL	-1.0	-18	-18	-18	-10	-35	-30	-33	1500

PCB Board Connections:



Drawing



Why Us