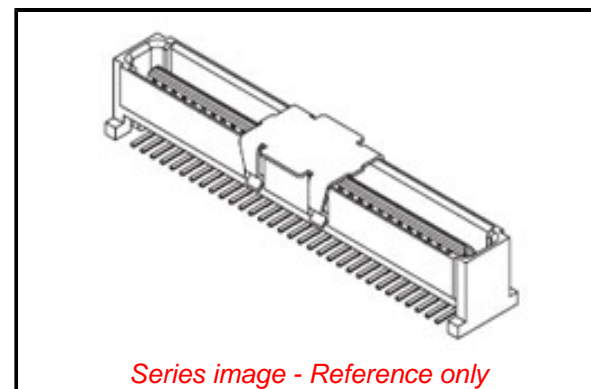


PLEASE CHECK WWW.MOLEX.COM FOR LATEST PART INFORMATION

Part Number: [0714362164](#)
Status: **Active**
Overview: 1.00mm Mezz (IEEE 1386)
Description: 1.00mm Mezz (IEEE 1386) Plug, Surface Mount, Dual Row, Vertical Stacking, 64 Circuits, 8.35mm Unmated Height, with PCB Locator Pegs, without Robotic Placement Metal Cap, 0.76µm Gold (Au) Selective Plating, Tube

Documents:

[3D Model](#) [Packaging Specification PK-70873-063 \(PDF\)](#)
[Drawing \(PDF\)](#) [RoHS Certificate of Compliance \(PDF\)](#)
[Product Specification PS-71436-9999-001 \(PDF\)](#)



Agency Certification

CSA LR19980
 UL E29179

General

Product Family PCB Headers
 Series [71436](#)
 Application Board-to-Board, Signal
 Overview [1.00mm Mezz \(IEEE 1386\)](#)
 Product Name 1.00mm Mezz (IEEE 1386)
 UPC 800753677814

Physical

Breakaway No
 Circuits (Loaded) 64
 Circuits (maximum) 64
 Color - Resin Natural
 Flammability 94V-0
 Glow-Wire Capable No
 Lock to Mating Part None
 Mated Height 10.00mm, 12.00mm, 13.00mm, 15.00mm
 Material - Metal Phosphor Bronze
 Material - Plating Mating Gold
 Material - Plating Termination Tin
 Material - Resin High Temperature Thermoplastic
 Net Weight 1.402/g
 Number of Rows 2
 Orientation Vertical
 PCB Locator Yes
 PCB Retention None
 PCB Thickness - Recommended 1.00mm
 Packaging Type Tube
 Pitch - Mating Interface 1.00mm
 Plating min - Mating 0.762µm
 Plating min - Termination 1.905µm
 Polarized to Mating Part No
 Shrouded Fully
 Stackable No
 Temperature Range - Operating -55° to +85°C
 Termination Interface: Style Surface Mount

Electrical

Current - Maximum per Contact 1.0A
 Voltage - Maximum 100V

Solder Process Data

EU ELV

Not Relevant

EU RoHS

Compliant

REACH SVHC

Not Contained Per -
 ED/61/2018 (27 June
 2018)

Halogen-Free

Status

Low-Halogen

For more information, please visit [Contact US](#)

China ROHS	Green Image
ELV	Not Relevant
RoHS Phthalates	Not Contained

Search Parts in this Series

[71436 Series](#)

Mates With

[71439](#) 1.00mm Mezz (IEEE 1386)
 Receptacle. Be sure to match like stack heights

Duration at Max. Process Temperature (seconds)	040
Lead-freeProcess Capability	REFLOW
Max. Cycles at Max. Process Temperature	003
Process Temperature max. C	260

Material Info

Reference - Drawing Numbers

Packaging Specification	PK-70873-063
Product Specification	PS-71436-9999-001
Sales Drawing	714362000-000

This document was generated on 10/26/2018

PLEASE CHECK WWW.MOLEX.COM FOR LATEST PART INFORMATION

Mouser Electronics

Authorized Distributor

Click to View Pricing, Inventory, Delivery & Lifecycle Information:

[Molex:](#)

[71436-2164](#)