

TTP229 TOUCH KEY MODULE



TTP229 Capacitive Touch Keypad

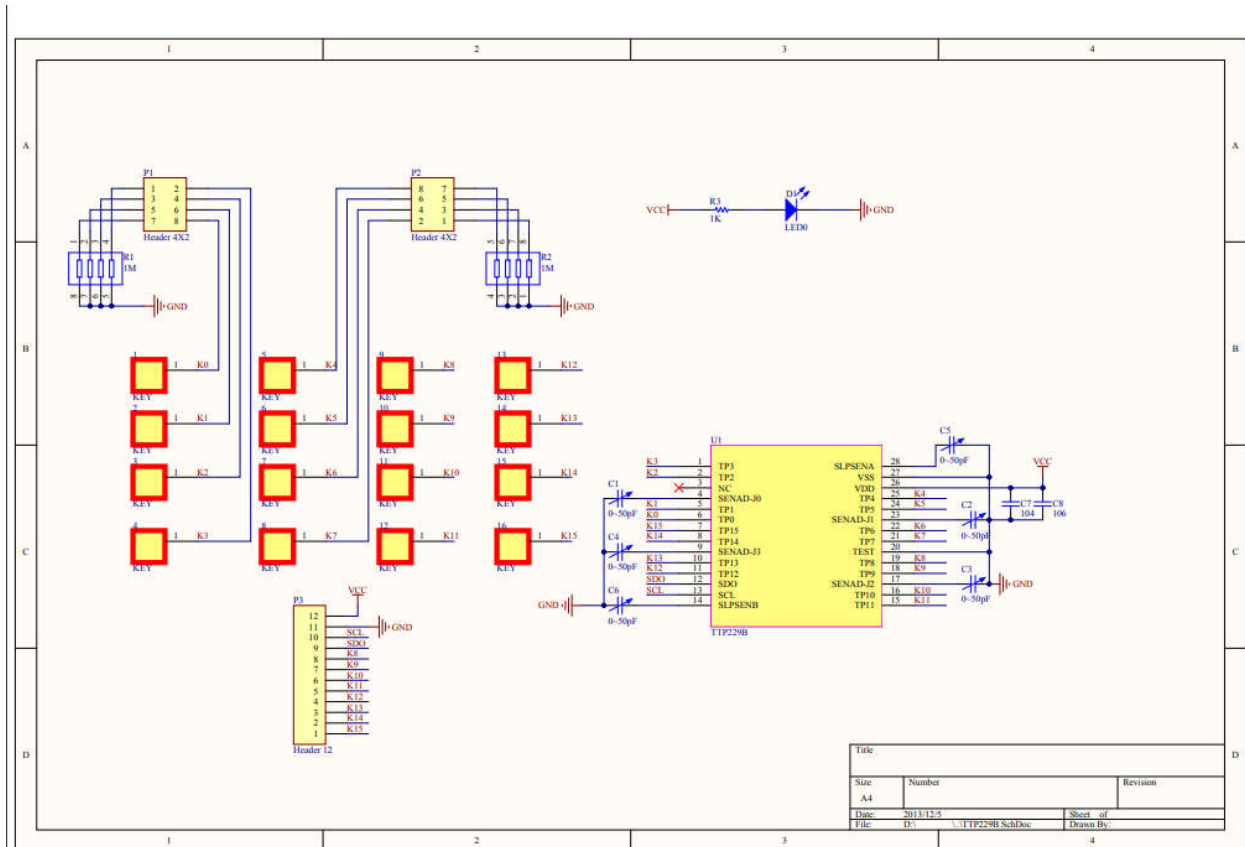
The TTP229 capacitive touch sensor module is perfect for adding capacitive touch inputs to your project. This capacitive touch sensor module uses the TTP229 integrated circuit, making it easy to add capacitive touch input to your project. It features 16 sensitive touch pads that make an ideal replacement for the old-fashioned keypads.

Quick Spec

- Operating voltage : 2.4V~5.5V
- Stand-by current At 3V, 2.5uA
- On-Board Power Indicator LED
- Operates In 8 Or 16 Channel Mode
- Output Can Be Configured As Active High Or Low
- Output Mode Can Be Configured To Toggle Or Momentary
- 0.5 Second Startup Calibration Delay
- Configurable Output Mode
- 8 Key or 16 key modes
- Separate outputs to 8 keys in 8 key mode
- PCB Size At 49.3 x 64.5mm

Pin-outs

1. VCC (2.4 - 5.5V)
2. GND
3. SCL (serial clock in)
4. SDO (serial data out)
5. OUT 1 (key 1 state)
6. OUT 2 (key 2 state)
7. OUT 3 (key 3 state)
8. OUT 4 (key 4 state)
9. OUT 5 (key 5 state)
10. OUT 6 (key 6 state)
11. OUT 7 (key 7 state)
12. OUT 8 (key 8 state)



Comment	Description	Designator	Footprint	LibRef	Quantity
KEY		1, 2, 3, 4, 5, 6, 7, 8, 9, 10, 11, 12, 13, 14, 15, 16	KEY-8	KEY	16
0~50pF	Variable or Adjustable Capacitor	C1, C2, C3, C4, C5, C6	0805	Cap Var	6
104	Capacitor	C7	0805	Cap	1
106	Capacitor	C8	0805	Cap	1
LED0	Typical INFRARED GaAs LED	D1	LED-0805	LED0	1
Header 4X2	Header, 4-Pin, Dual row	P1, P2	HDR2X4	Header 4X2	2
Header 12	Header, 12-Pin	P3	HDR1X12	Header 12	1
1M		R1, R2	SOP-0603-4	RES_PACK4	2
1K	Resistor	R3	0805	Res1	1
TTP229B		U1	TS-SOP28	TTP229B	1