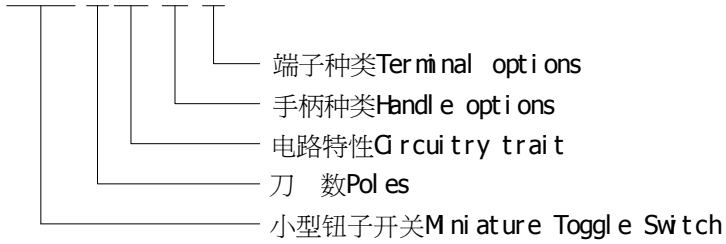


# MTS SERIES

# MASSUSE SWITCH

## Ordering information

MTS- 102- A 1



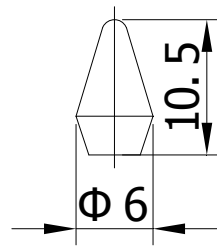
## 技术特性 Specification:

- 1.规格 Rating: 5A 120VAC: 2A 250VAC
- 2.接触电阻 Contact Resistance: 20mΩmax.
- 3.绝缘电阻 Insulation Resistance: 500VDC 1000MΩmin.
- 4.耐电压 Dielectric strength: 1500VAC, 1Minute
- 5.操作温度 Operating Temperature: -55°C ~ +85°C
- 6.电气寿命 Electrical Life: 20,000 Cycles

## 电路特性 Circuitry trait

型号 Model No	Circuitry trait			类型 Type	端子数 Terminals
MTS-101	NO		OFF	SPST	2P
MTS-102	ON	-	ON	SPDT	3P
MTS-102	ON	-	(ON)	SPDT	3P
MTS-103	ON	OFF	ON	SPDT	3P
MTS-103	ON	OFF	ON	SPDT	3P
MTS-103	(ON)	OFF	(ON)	SPDT	3P

## 手柄套 Toggle cap(D)



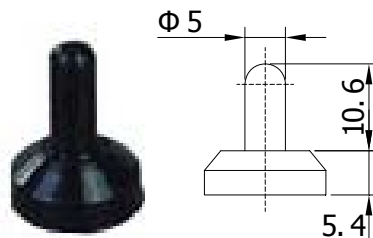
## 底座颜色 Base color

颜色 COLOR	兰 Blue
黑 Black	黑 Black
白 White	红 Red
红 Red	绿 Green
黄 Yellow	
绿 Green	
兰 Blue	

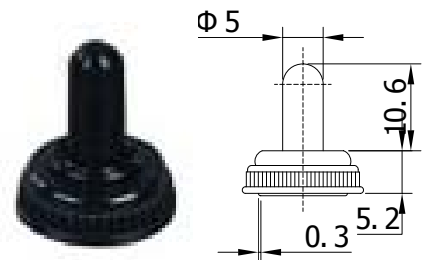
## 防水帽 Water proof cap

型号 Model No	Circuitry trait			类型 Type	端子数 Terminals
MTS-201	ON	-	OFF	DPST	4P
MTS-202	ON	-	ON	DPDT	6P
MTS-202	ON	-	(ON)	DPDT	6P
MTS-203	ON	OFF	ON	DPDT	6P
MTS-203	ON	OFF	(ON)	DPDT	6P
MTS-203	(ON)	OFF	(ON)	DPDT	6P

WPC-04  
M6×0.75



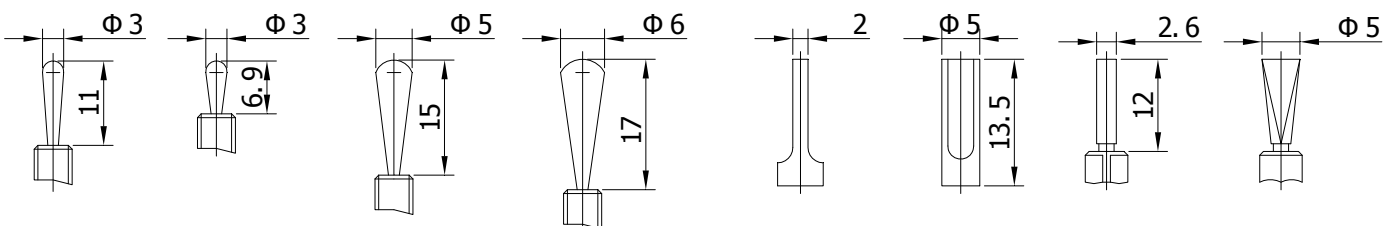
WPC-05  
M6×0.75



(回弹指示 Indicates Momentary)

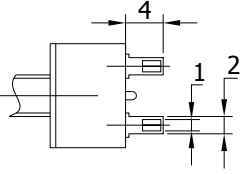
## 手柄种类 Handle options

标准 Standard(A)    短型 Short(C)    大型 Grand(G)    特大型 large(L)    塑料扁柄 Plastic Flat(E)    金属扁柄 Metal Flat(F)

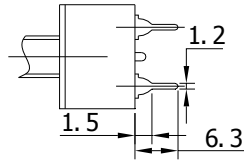


## 端子种类 Terminal options

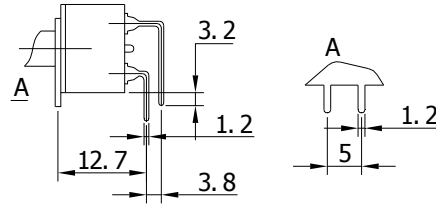
Soleer terminal(1)



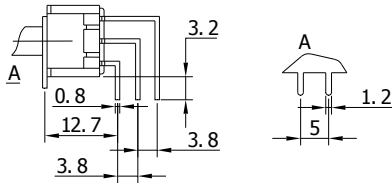
PC terminal(2)



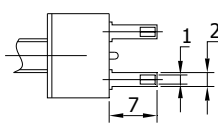
PC-H terminal(3)



PC-V terminal(4)

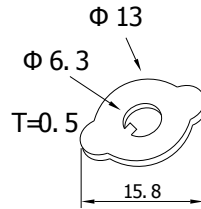


Long Solder terminal(5)



## 附属配件 Affix Annex

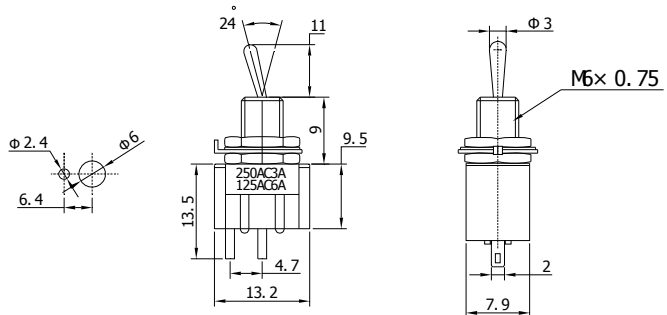
标牌 Nameplate



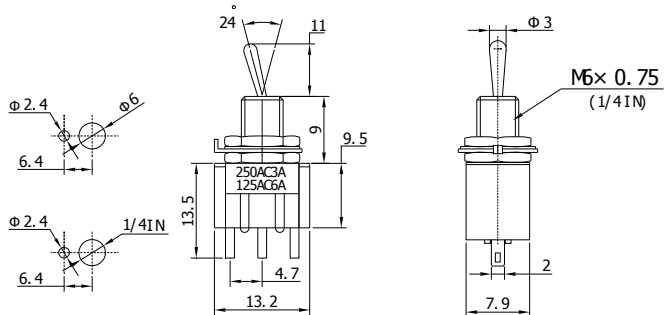
(1)	ON	-	OFF
(2)	ON	-	ON
(3)	ON	OFF	ON



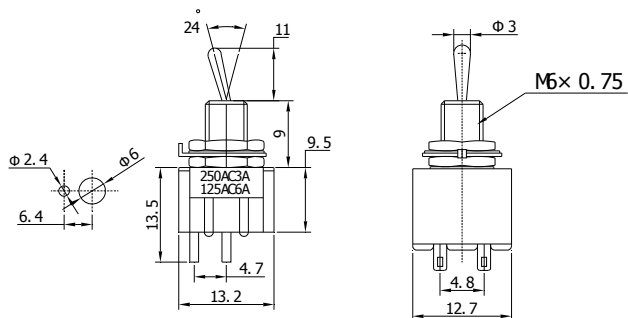
MTS-101 ON-OFF  
SPST 2P



MTS-102 ON-ON  
MTS-112 ON-(ON)  
MTS-103 ON-OFF-ON  
MTS-113 ON-OFF-(ON)  
MTS-123 (ON)-OFF-(ON)  
MTS-1033 ON-ON-ON  
SPDT 3P

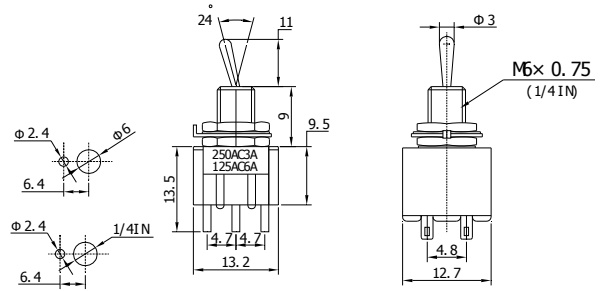


MTS-201 ON-OFF  
DPST 4P

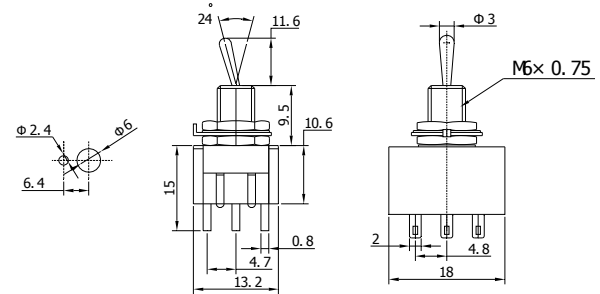




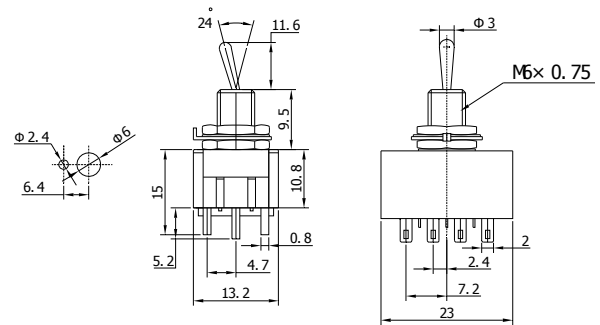
MTS-202 ON-ON  
 MTS-212 ON-(ON)  
 MTS-203 ON-OFF-ON  
 MTS-223 ON-OFF(ON)  
 MTS-223 (ON)-OFF-(ON)  
 MTS-2033 ON-ON-ON  
 DPDT 6P



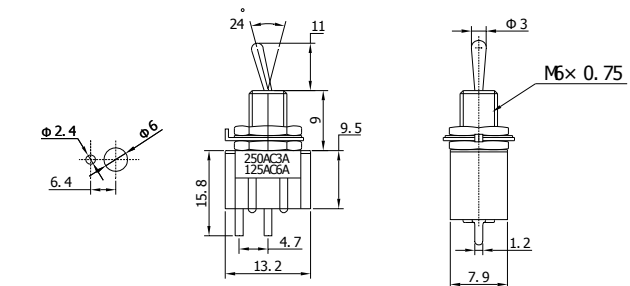
MTS-302 ON-ON  
 MTS-303 ON-OFF-ON  
 3PDT 9P



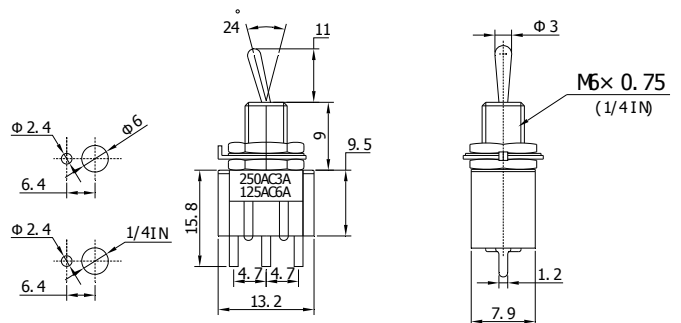
MTS-402 ON-ON  
 MTS-403 ON-OFF-ON  
 4PDT 12P



MTS-101-A2 ON-OFF  
 SPST 2P



MTS-102-A2 ON-ON  
 MTS-112-A2 ON-(ON)  
 MTS-103-A2 ON-OFF-ON  
 MTS-113-A2 ON-OFF-(ON)  
 MTS-123-A2 (ON)-OFF-(ON)  
 SPDT 3P

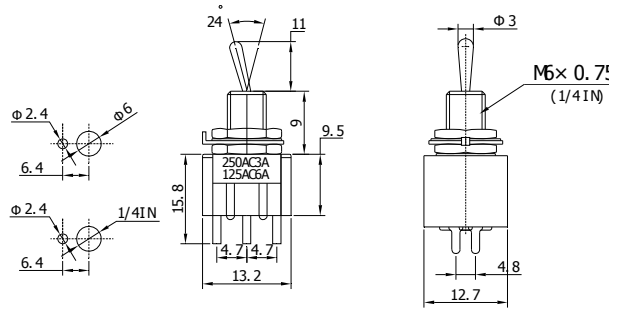


# MTS SERIES

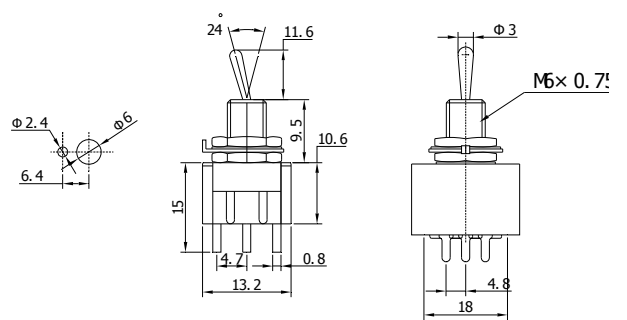
# MASSUSE SWITCH



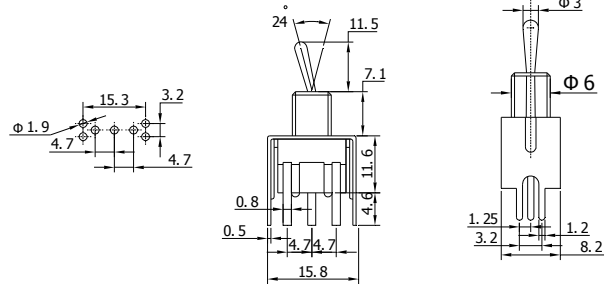
MTS-202-A2 ON-ON  
 MTS-212-A2 ON-(ON)  
 MTS-203-A2 ON-OFF-ON  
 MTS-213-A2 ON-OFF-(ON)  
 MTS-123-A2 (ON)-OFF-(ON)  
 DPDT 6P



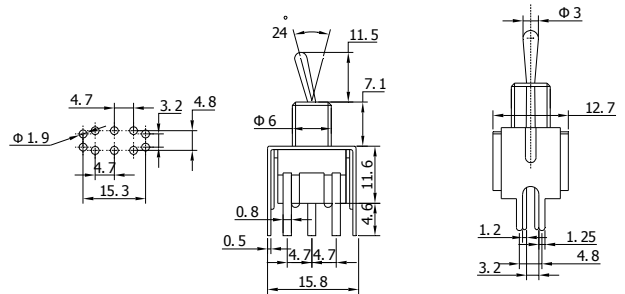
MTS-302-A2 ON-ON  
 MTS-212-A2 ON-OFF-ON  
 3PDT 9P



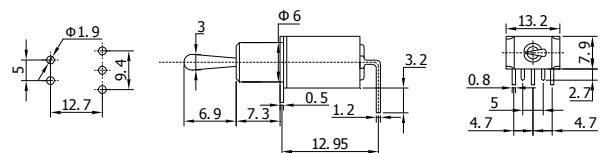
MTS-102-A2T ON-ON  
 MTS-112-A2T ON-(ON)  
 MTS-103-A2T ON-OFF-ON  
 MTS-113-A2T ON-OFF-(ON)  
 MTS-123-A2T (ON)-OFF-(ON)  
 SPDT 3P



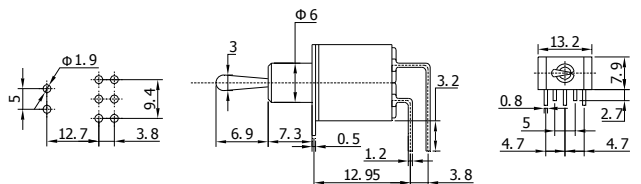
MTS-202-A2T ON-ON  
 MTS-212-A2T ON-(ON)  
 MTS-203-A2T ON-OFF-ON  
 MTS-213-A2T ON-OFF-(ON)  
 MTS-223-A2T (ON)-OFF-(ON)  
 SPDT 6P



MTS-102-C3 ON-ON  
 MTS-112-C3 ON-(ON)  
 MTS-103-C3 ON-OFF-ON  
 MTS-113-C3 ON-OFF-(ON)  
 MTS-123-C3 (ON)-OFF-(ON)  
 SPDT 3P

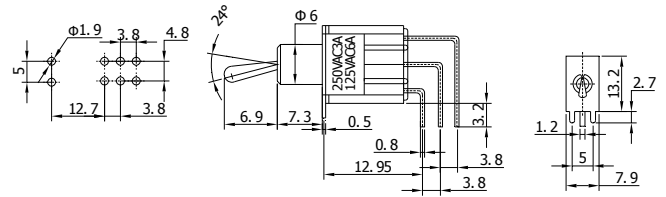


MTS-202-C3 ON-ON  
 MTS-212-C3 ON-(ON)  
 MTS-203-C3 ON-OFF-ON  
 MTS-213-C3 ON-OFF-(ON)  
 MTS-223-C3 (ON)-OFF-(ON)  
 SPDT 6P

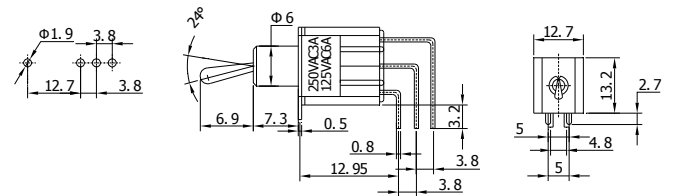




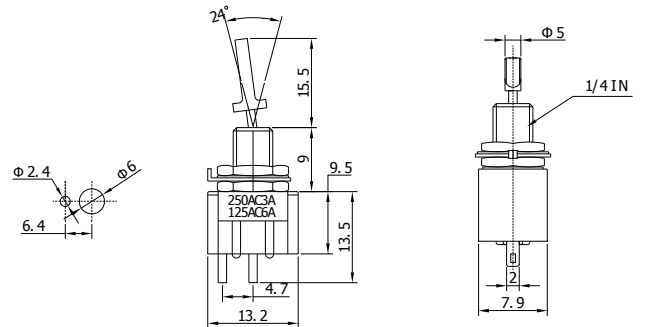
MTS-102-C4 ON-ON  
 MTS-112-C4 ON-(ON)  
 MTS-103-C4 ON-OFF-ON  
 MTS-113-C4 ON-OFF-(ON)  
 MTS-123-C4 (ON)-OFF-(ON)  
 SPDT 3P



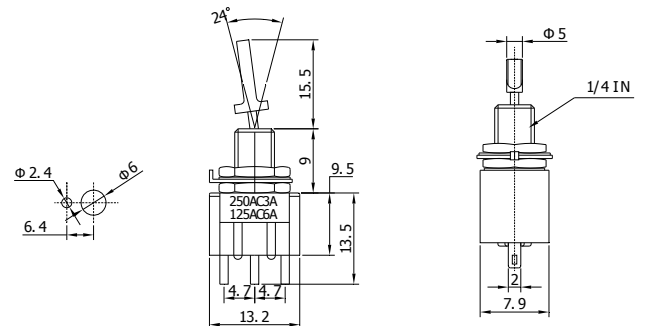
MTS-202-C4 ON-ON  
 MTS-212-C4 ON-(ON)  
 MTS-203-C4 ON-OFF-ON  
 MTS-213-C4 ON-OFF-(ON)  
 MTS-223-C4 (ON)-OFF-(ON)  
 SPDT 6P



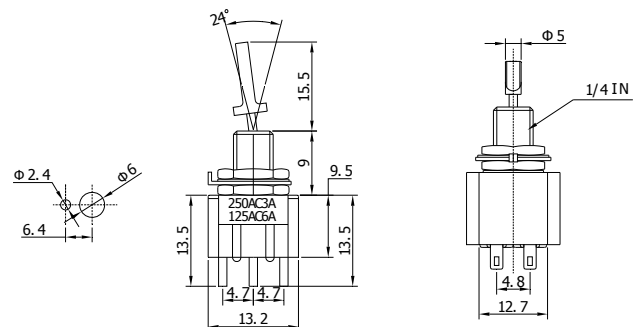
MTS-101-E1 ON-OFF  
 SPST 2P  
 (PLASTIC FLAT LEVER)



MTS-102-E1 ON-ON  
 MTS-112-E1 ON-(ON)  
 MTS-103-E1 ON-OFF-ON  
 MTS-113-E1 ON-OFF-(ON)  
 MTS-123-E1 (ON)-OFF-(ON)  
 SPDT 3P  
 (PLASTIC FLAT LEVER)

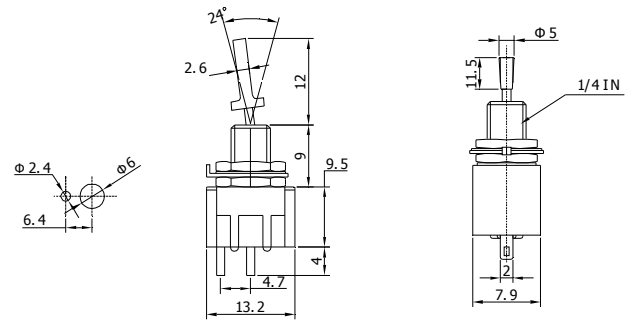


MTS-202-E1 ON-ON  
 MTS-212-E1 ON-(ON)  
 MTS-203-E1 ON-OFF-ON  
 MTS-213-E1 ON-OFF-(ON)  
 MTS-223-E1 (ON)-OFF-(ON)  
 SPDT 6P  
 (PLASTIC FLAT LEVER)

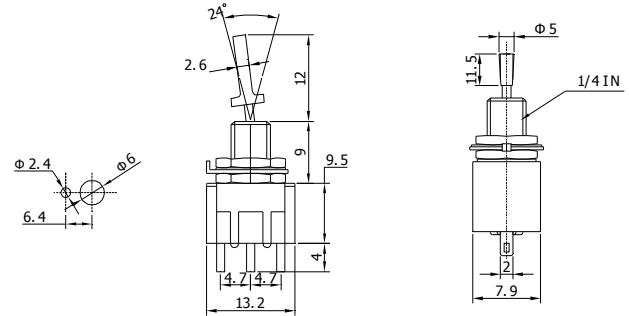




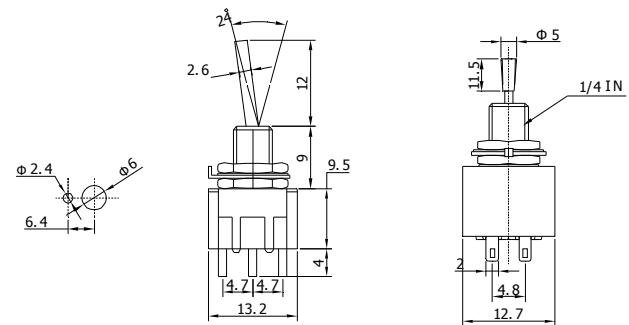
MTS-101-F1 ON-OFF  
SPST 2P  
(METAL FLAT LEVER)



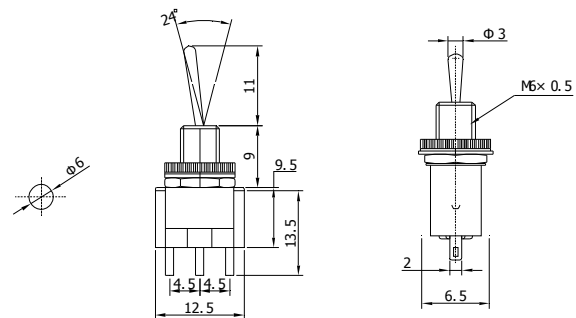
MTS-102-F1 ON-ON  
MTS-112-F1 ON-(ON)  
MTS-103-F1 ON-OFF-ON  
MTS-113-F1 ON-OFF-(ON)  
MTS-123-F1 (ON)-OFF-(ON)  
SPDT 3P  
(METAL FLAT LEVER)



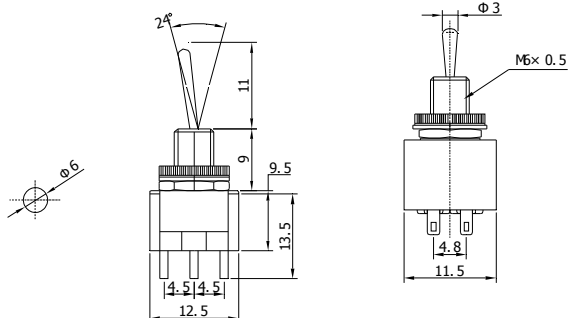
MTS-202-F1 ON-ON  
MTS-212-F1 ON-(ON)  
MTS-203-F1 ON-OFF-ON  
MTS-213-F1 ON-OFF-(ON)  
MTS-223-F1 (ON)-OFF-(ON)  
SPDT 6P  
(METAL FLAT LEVER)



KNX-1 ON-ON  
KNX-103 ON-OFF-ON  
SPDT 3P

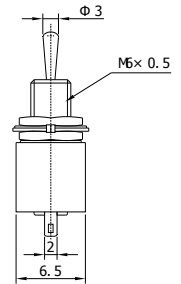
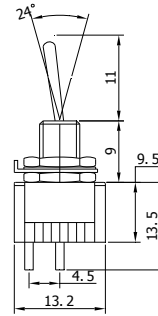
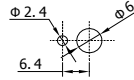


KNX-2 ON-ON  
KNX-203 ON-OFF-ON  
SPDT 6P

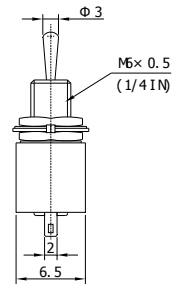
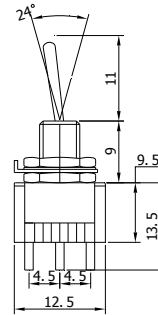
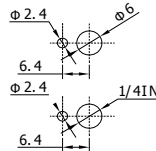




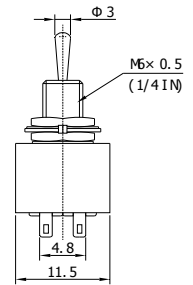
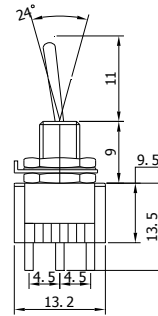
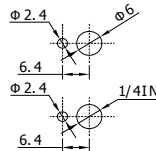
STM-101 ON-OFF  
SPST 2P



STM-102 ON-ON  
STM-112 ON-(ON)  
STM-103 ON-OFF-ON  
STM-113 ON-OFF-(ON)  
STM-123 (ON)-OFF-(ON)  
SPDT 3P  
(METAL FLAT LEVER)



STM-202 ON-ON  
STM-212 ON-(ON)  
STM-203 ON-OFF-ON  
STM-213 ON-OFF-(ON)  
STM-223 (ON)-OFF-(ON)  
SPDT 6P



MTS-101-L1 ON-OFF  
SPST 2P

