 Zhuhai Tianhui Electronic Co.,LTD --- Welcome to register the member of Tianhui Electronic Co.,LTD, after activated you can enjoy more professional service!!!

Product

[Home](#) > [Product](#) > [Deep UV LEDES](#)

[Deep UV LEDES](#)

[High Power UV LEDES](#)

[DIP UV LEDES](#)

[SMD LEDES](#)

[IR LED](#)

[UV Products](#)

280NM Deep UV Disinfection Leds



Model:TH-UV280-5050C-B

Brand:TIANHUI

Price: [\[Login\]](#) [\[Register\]](#)

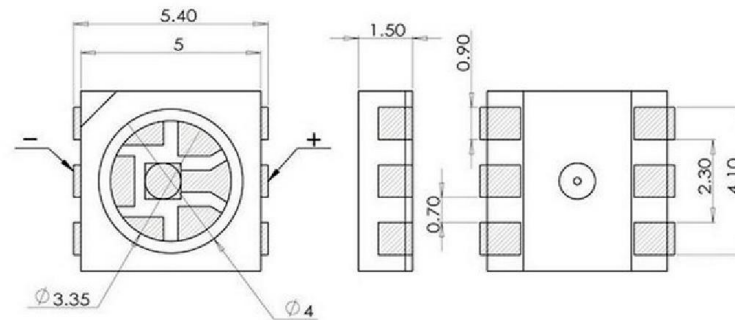
[Feedback](#)

280NM Deep UV Disinfection Leds

Parameters

Part No.	Size (mm)	Working Current [I _F (mA)]	Forward Voltage [V _F (V)]	Wavelength [λ _p (nm)]	Optical Power Output	Viewing angle (°)
TH-UV280-5050C-B	5.0*5.0*1.0	20	5.0-7.0	280±3	1.0-1.5	140

Outline dimension



Applications

*Water Disinfection Application

*Air Disinfection Application

[Online](#)

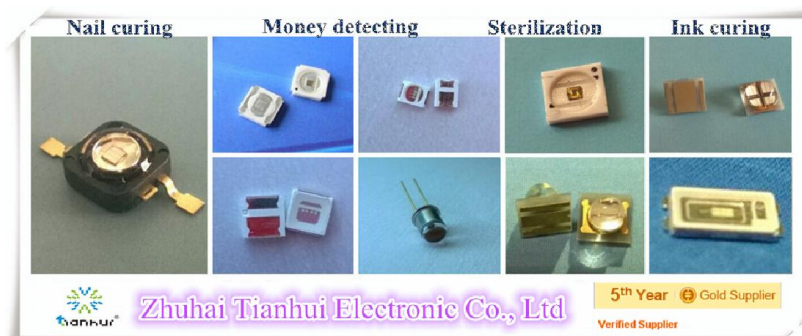
Anderson Qu

Martin Xie

***Surfaces disinfection application**
[Enterprise News](#) | [Download](#) | [Feedback](#) | [Friendly link](#) | [Search](#) | [Sitemap](#)
[UV LED](#), [High power UV LED](#), [Deep UV LED](#), [265nm UVC LED](#), [280nm UVC LED](#), [310nm UVB LED](#), [365nm UV LED](#), [395nm UV LED](#), [410nm UV LED](#), [UV LED array](#), [Curing UV LED](#),
Trade Terms:

Money detection UV LED

- Payment:** By T/T or Paypal
100% payment if the total amount is less than USD50,000
30% deposit and 70% balance before shipment if the total amount is more than USD50,000.
- Shipment:** 1) Freight Prepaid 2) Freight Collect
Door to Door Service: UPS, DHL, Fedex, EMS etc.
- Lead Time:** Instant Delivery upon receipt of Payment if stocks are available
5-10 Working Days (Subject to the order quantity!)
- MOQ:** Any Customized Order is Welcome



Zhuhai Tianhui Electronic Co., Ltd. is the earliest and the most professional UV LED manufacturers engaging in UV LEDs with complete series of products, stable quality and competitive prices.

Our products are widely applied in banknote counting & detecting, fake notes preventing & distinguishing, sterilization, leakage test, selection, medical care, curing, mosquito killing, and other fields.

For More Information, Please Contact:

Website: <http://th-led.en.alibaba.com/> | <http://www.tianhui-led.com/index-en.html>

Tel: +86-756-6231216/6231219 | Fax: +86-760-86743190

Anderson Qu

Mobile: +86-13427796406

E-mail: anderson@tianhui-led.cn

MSN: anderson.qu@hotmail.com

Skype: anderson1989614

Selina Huang

Mobile: +86-13580313694

E-mail: selina@tianhui-led.cn

Previous : [UVC 280nm Deep UV Leds](#)

Next : No Information

Hits:3481 UpdateTime:2014-09-06 13:41:31 [\[Printing\]](#) [\[Close\]](#)