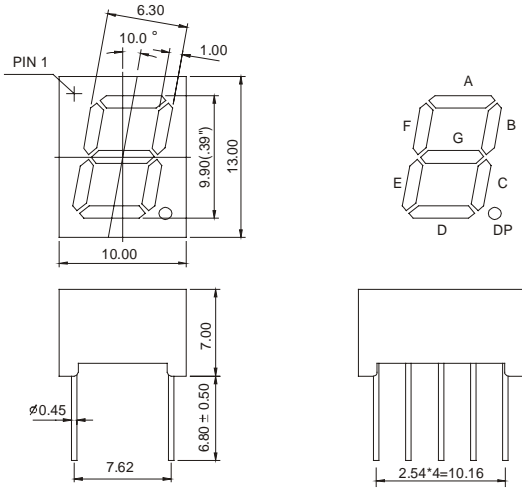


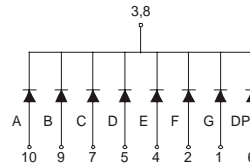


3911Ax-Bx-Cx-Dx (SINGLE DIGIT LED DISPLAY)

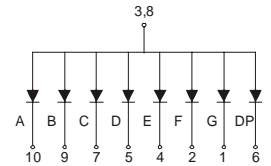
3911 Series



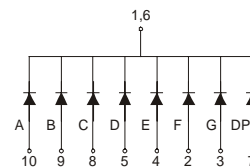
3911Ax



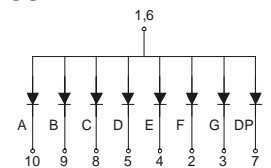
3911Bx



3911Cx



3911Dx



Features:

*0.39 INCH HIGH CHARACTER.

*EXCELLENT CHARACTER APPEARANCE.

*COMMON CATHODE OR COMMON ANODE.

*I.C. COMPATIBLE.

*LOW POWER CONSUMPTION.

Part Number	EMITTED COLOR		Common Cathode or Common Anode	Peak Wavelength (nm)	Vf (v) Typ	If (mA)	Intensity Per Segment (mcd)	
							Min.	Typ.
3911AE	GaAsP/GaP	Hi.effi Red	Common Cathode	635	2.0	20	9	12
3911AG	GaP	Green		565	2.1	20	8	11
3911AY	GaAsP/GaP	Yellow		585	2.0	20	9	12
3911AS	GaAlAs	Super Red		660	1.8	20	10	13
3911AD	GaAlAs	Ultra Red		660	1.8	20	25	30
3911AUE	AlGaInP	Ultra Red		625	2.0	20	30	35
3911AUU	AlGaInP	Ultra Yellow		590	2.0	20	30	35
3911BE	GaAsP/GaP	Hi.effi Red	Common Anode	635	2.0	20	9	12
3911BG	Gap	Green		565	2.1	20	8	11
3911BY	GaAsP/GaP	Yellow		585	2.0	20	9	12
3911BS	GaAlAs	Super Red		660	1.8	20	10	13
3911BD	GaAlAs	Super Red		660	1.8	20	25	30
3911BUE	AlGaInP	Ultra Red		625	2.0	20	30	35
3911BUY	AlGaInP	Ultra Yellow		590	2.0	20	30	35

GNS-3911CE	GaAsP/GaP	Hi.effi Red	Common Cathode	635	2.0	20	9	12
GNS-3911CG	GaP	Green		565	2.1	20	8	11
GNS-3911CY	GaAsP/GaP	Yellow		585	2.0	20	9	12
GNS-3911CS	GaAlAs	Super Red		660	1.8	20	10	13
GNS-3911CD	GaAlAs	Ultra Red		660	1.8	20	25	30
GNS-3911CUE	AlGaInP	Ultra Red		625	2.0	20	30	35
GNS-3911CUY	AlGaInP	Ultra Yellow		590	2.0	20	30	35
GNS-3911DE	GaAsP/GaP	Hi.effi Red		635	2.0	20	9	12
GNS-3911DG	Gap	Green	Common Anode	565	2.1	20	8	11
GNS-3911DY	GaAsP/GaP	Yellow		585	2.0	20	9	12
GNS-3911DS	GaAlAs	Super Red		660	1.8	20	10	13
GNS-3911DD	GaAlAs	Super Red		660	1.8	20	25	30
GNS-3911DUE	AlGaInP	Ultra Red		625	2.0	20	30	35
GNS-3911DUY	AlGaInP	Ultra Yellow		590	2.0	20	30	35