

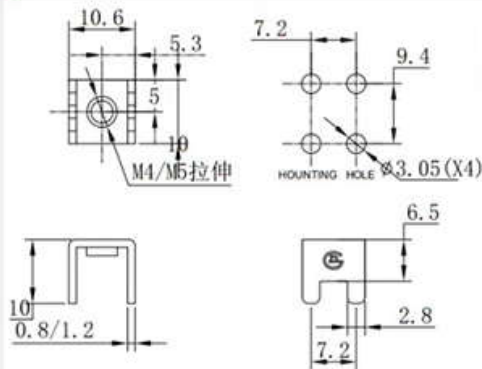
PCB-10B TIN PLATED TERMINAL



Product details

Model NO	PCB-10B
Size	10.6mm*10mm*10mm
Substrate height	6.5mm
Pitch	7.2mm*9.4mm
Screw hole	M4/M5 stretching
Material thickness	0.8/1.2mm
Material	M4: H65 brass M5: T2 copper
Surface treatment	M4 bright tin / M5 plated tin
Current	30-60A
Product Keywords	tin plated terminal,pcb screw terminal,pcb tab terminal

Model NO:PCB-10B



Model : PCB-10B
 Size : 10.6mm*10mm*10mm
 substrate height : 6.5mm
 pin pitch : 7.2mm*9.4mm
 screw hole : M4/M5 extend
 thickness : 0.8/1.2mm
 Material : M4:H65 yellow bras M5:T2 red brass
 surface Finish : M4 bright Tin plating/M5 Fog tin plating
 electric current 30-60A
 mail uses : PC board of welding wire terminal,
 beautiful and strong, resistance to big current ,
 with the screw to fix terminals.

