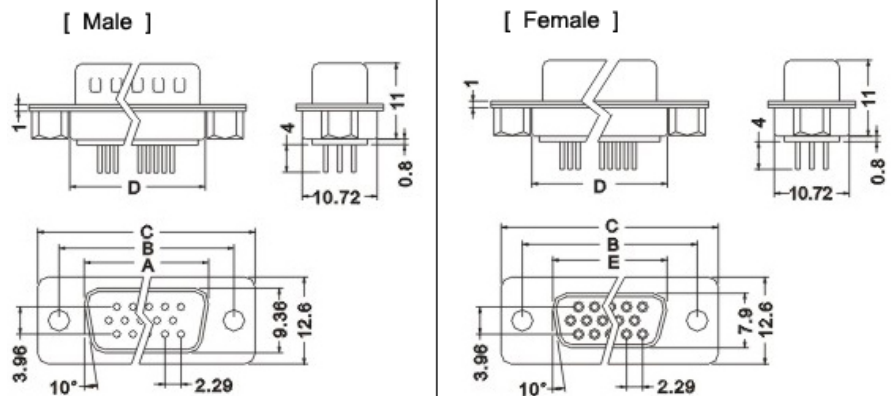


Range of Products >> Connector >> D-sub Series >> DHP



Contact Resistance	30 mΩ ,max. at DC 100mA
Insulator Resistance	1000 mΩ ,min. at DC 500V
Current Rating	5AMP
Withstanding voltage	AC1000V/1Min
Operating temperature	-55°C~+105°C
Contact	Brass or Phosphor Bronze
Housing	PBT & 30% Glass Fiber(UL94V-0)



Position	A	B	C	D	E	F
15P	30.9	17.7	2.29	24.99	19.3	16.33
26P	39.1	25.5	2.29	33.32	27.5	24.7
44P	53.0	39.0	2.29	47.04	41.3	38.4
62P	69.3	55.4	2.41	63.50	57.7	54.8

How To Order :

DHP	-	15	-	F	-	B	-	
Series No.		No. of Poles		Item Type		Color		Customer Request
		15 / 26		F: Female		B. Blue		
		44 / 62		M: Male		K. Black		
						W. White		