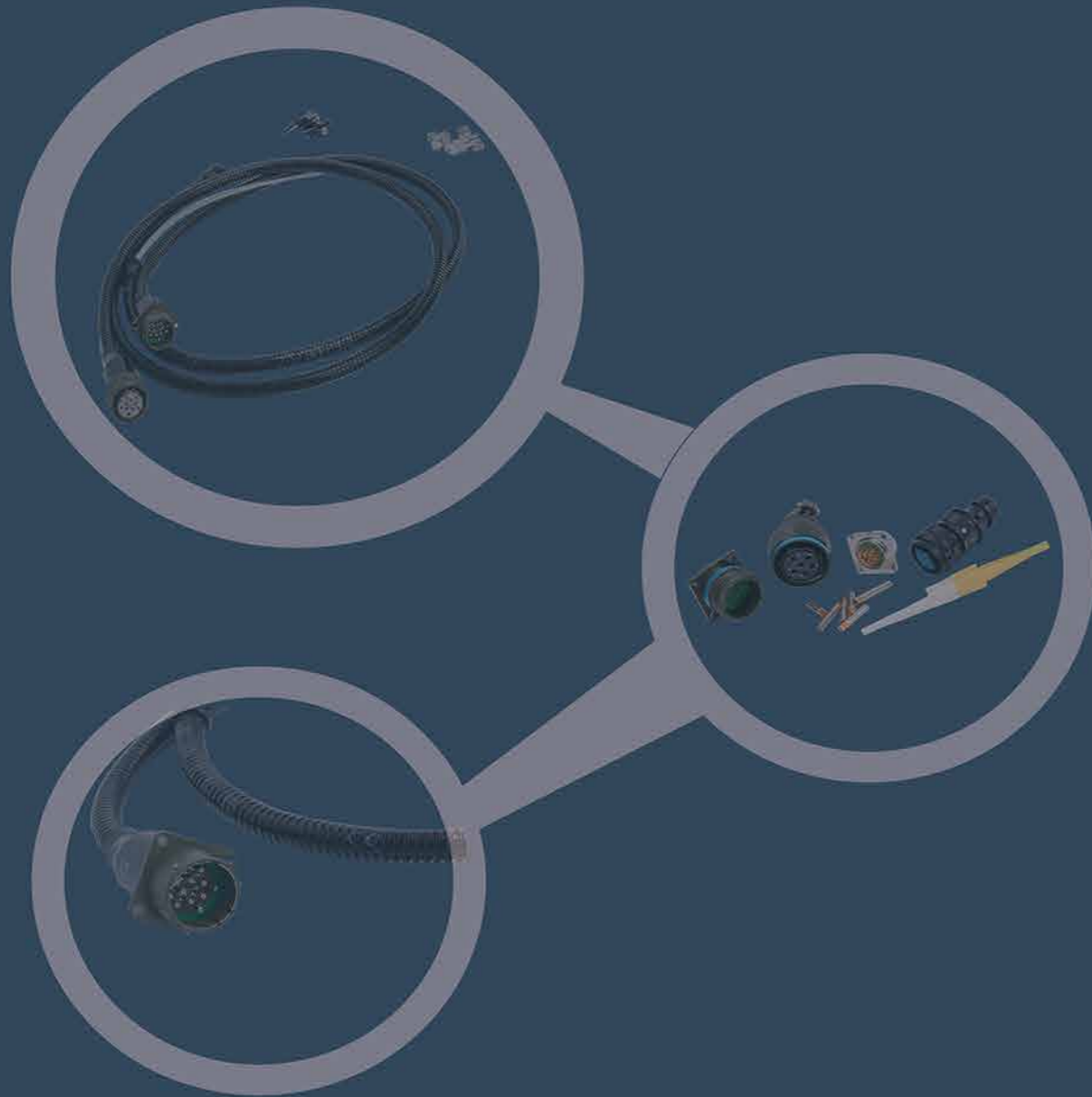




慈溪市大发精密连接器有限公司  
Cixi Dafa Precise Linker Co.,Ltd.



慈溪市大发精密连接器有限公司  
Cixi Dafa Precise Linker Co.,Ltd.

Add: Lianzhen Road, North Industry Zone,  
Xiaolin Town, CiXi City, Zhejiang China  
地址：中国浙江省慈溪市逍林镇北工业区联振路  
Tel:0086-574-63519131 0086-574-63518254  
Fax:0086-574-63519136  
E-mail:dafa@dafalinker.com  
网址：WWW.dafalinker.com



慈溪市大发精密连接器有限公司



## 公司简介 COMPANY PROFILE

慈溪市大发精密连接器有限公司 (原慈溪市大发连接器厂), 公司成立于1990年, 是一家以连接器为主导产品, 集产品的研发、生产、销售于一体的专业化民营企业, 建筑面积5500平方米。

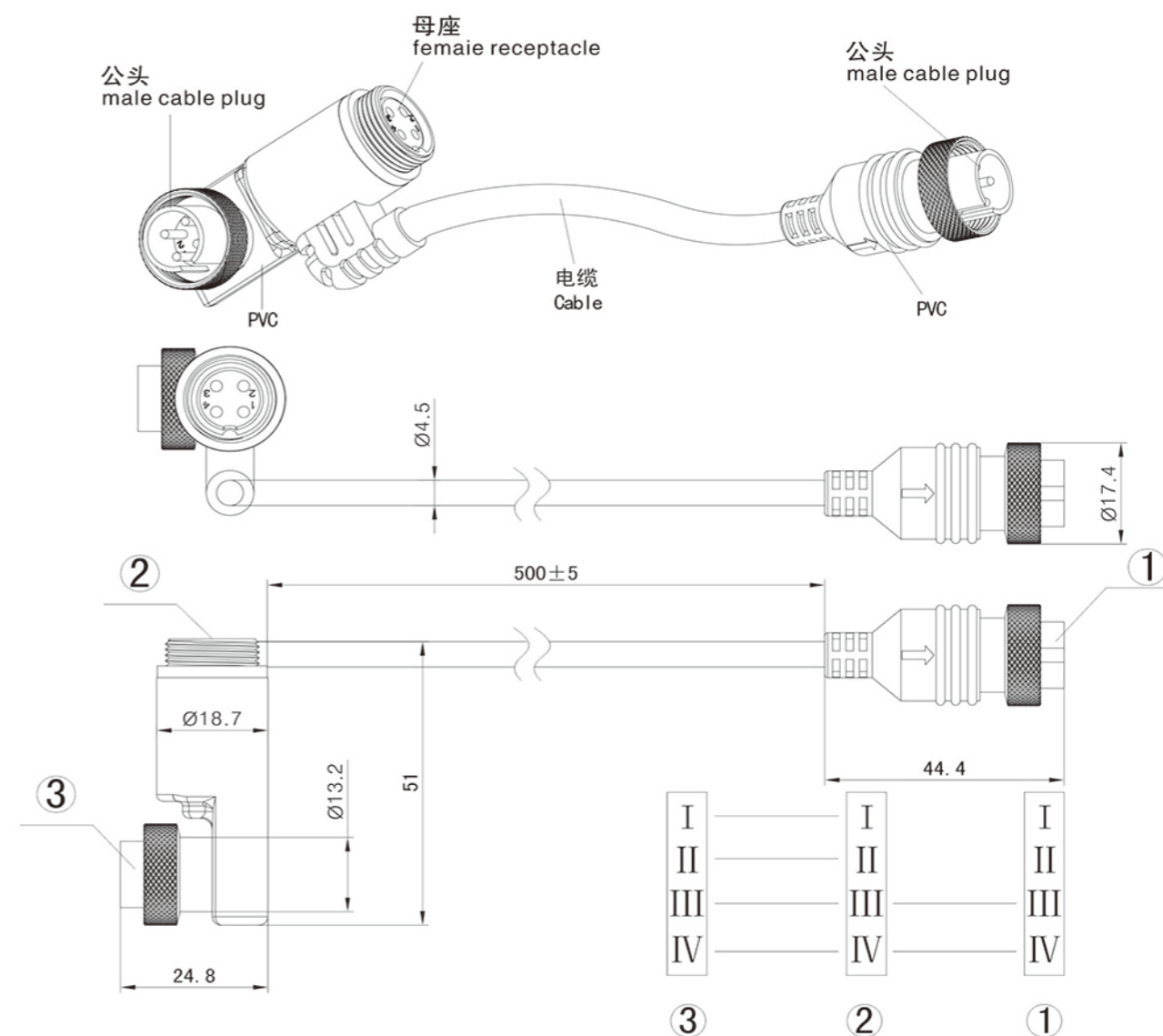
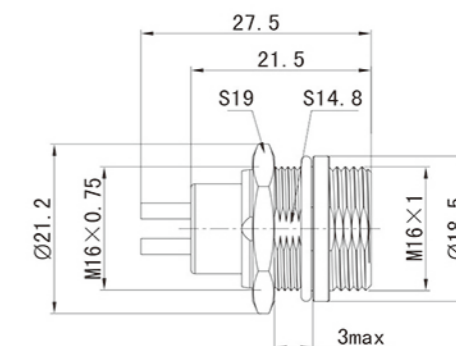
目前公司生产的产品主要有: 耐环境快速分离圆形电连接器、高可靠电源连接器、滤波电连接器、MIL-C-38999系列高密度小圆形电连接器、推拉式圆形电连接器等50多个系列品种, 5000多种规格, 产品广泛用于各种通讯、航天、航空、航海、医疗、电力、交通、新能源、仪器仪表等领域。

公司自成立以来, 先后通过了ISO9001质量管理体系认证、军工质量管理体系认证、TS16949质量体系认证、27个系列产品通过欧盟CE认证, 15项产品获得国家外观设计专利。

公司拥有强大的研发队伍、先进的加工设备、精密的检测仪器, 产品以反应速度快、开发周期短、品种质量优、服务意识强等赢得了国内外广大用户的一致好评。

我公司从连接器的研发到生产全部过程, 仅有表面处理是外协, 所有加工工艺都在公司内部完成, 这样有利于我们产品质量和产品交付进度的管控。公司秉承“专注客户需求, 以诚信铸就辉煌”的核心理念, 为员工、为客户、为合作伙伴、为社会创造价值, 力争把公司建设为具有显著影响力和竞争力的一家企业。

### GX 系列连接器 | GX series connector



接触对排列分布从针的方向看 Contact Arrangements Comply with the needle direction	额定电流/电压 Rated Current/ voltage	工作电压(AC.V)/分钟 Operating Limit voltage (AC.V.rms)	绝缘阻抗(MΩ)DV500V Insulation resistance (MΩ MIX)AT DC 500V	接触阻抗(MΩ)DC 1A Contact resistance (MΩ Max)AT DC 1A	接触对孔径φ (mm) Solder inter diameter
	5A-125V	200	1500	3	1.6

# Company Introduction



Cixi Dafa preciseLinkr Co.,Ltd. ( Formerly known as Cixi CityDafa Linker Factory), founded in 1990, is mainly services in connectors, R & D, production and sales of specialized private enterprises, construction area of 5500 square meters. At present mainly products are Environmental resistance to rapid the separation of electrical connector, high reliability power supply connector, filter connectors, MII-C-38999 series high density electrical connector, push-pull type electrical connector more than 50 Series 5000 varieties, products are widely used in a variety of communications, aerospace, aviation, navigation, medical, transportation, electricity, new energy, instrumentation and so on. Since inception the company has passed the ISO9001 Quality management certification, Military product quality management system certification, TS16949 Quality management system certification, Confidentiality qualification, CE certification, Some products access to a number of national patents. The company has a strong R & D team, advanced processing equipment, sophisticated detection equipment, Short development cycle, Short delivery period, short development cycle, varieties of excellent quality, strong sense of service, has won the domestic and foreign customers praise. In the face of increasingly fierce competition in the market, the company will uphold the " Customer focu, continue to meet customer requirement" business philosophy, We insist on the tenet "customer uppermost, quality first", welcome the new and old customers from demotic and abroad for technical, economic cooperation.

质量体系证书



# 目录 CONTENTS

 B 系列连接器 B series connector page.01	 X16 防水连接器 X16 waterproof connector page.56	 XF12 系列连接器 XF12 series connector page.84
 K 系列防水连接器 K series waterproof connector page.07	 FQ 系列连接器 FQ series connector page.57	 WP20系列防水连接器 WP20 Series waterproof connector page.85
 S 系列连接器 S series connector page.15	 XK 系列连接器 XK series connector page.59	 RM 系列连接器 RM series connector page.86
 C 系列连接器 C series connector page.18	 C16 系列连接器 C16 series connector page.60	 FQN18系列防水连接器 FQN18 Series waterproof connector page.87
 J 系列连接器 J series connector page.19	 XS12 系列连接器 XS12 series connector page.61	 TL24系列圆形电连接器 TL24 Series electric connector page.88
 XR12 系列防水连接器 XR12 series waterproof connector page.22	 YD 系列连接器 YD series connector page.62	 TLF1HG107连接器 TLF1HG107 connector page.89
 TR12系列防水连接器 TR12 series waterproof connectors page.24	 2PM 系列连接器 2PM series connector page.64	 N-50KKF连接器 N-50KKF connector page.90
 PCN 系列连接器 PCN series connector page.25	 JL5 系列连接器 JL5 series connector page.66	 DF系列连接器 DF Series connector page.91
 XQ12 系列连接器 XQ12 series connector page.26	 FQX 系列防水连接器 FQX waterproof connector page.67	 DF12G系列连接器 DF12G Series connector page.94
 SF 系列连接器 SF series connector page.27	 PC 系列连接器 PC series connector page.68	 SX 系列连接器 SX series connector page.95
 FUS 系列塑料防水连接器 FUS series plastics waterproof connector page.28	 C091 系列防水连接器 C091 waterproof connector page.70	 ZH8525系列圆形电连接器 ZH8525 series circular electric connector page.96
 MS 系列连接器 MS series connector page.30	 Y11S 系列连接器 Y11S series connector page.74	 Y11系列圆形连接器 Y11 Series circular electric connector page.101
 YSM 系列连接器 YSM series connector page.37	 TPG 系列连接器 TPG series connector page.74	 XNY 系列连接器 XNY Series connectors page.103
 P20W 系列防水连接器 P20W waterproof connector page.39	 XM16 系列防水连接器 XM16 waterproof connector page.75	 NCP系列圆形电连接器 NCP Series circular electronic connectors page.105
 Y2W 系列防水连接器 Y2W series waterproof connector page.40	 Y50 系列连接器 Y50 series connector page.76	 HY系列圆形电连接器 HY series circular electric connector page.106
 Y 系列防水连接器 Y series waterproof connector page.41	 Y50X-1219系列连接器 Y50X-1219 series connectors page.77	 XL系列小型圆形电连接器 XL Series small circular electric connector page.112
 PB 系列连接器 PB series connector page.43	 XF14 系列连接器 XF14 series connector page.78	 CM10系列圆形电连接器 CM10 Series circular electric connector page.113
 Q 系列连接器 Q series connector page.47	 62IN系列连接器 62IN series connector page.79	 DFS 系列连接器 DFS Series connectors page.114
 CX 系列连接器 CX series connector page.49	 PC12 系列连接器 PC12 series connector page.81	 MIL 防水连接器 MIL waterproof connector page.118
 P 系列连接器 P series connector page.50	 CA 系列连接器 CA series connector page.82	 CP 系列连接器 CP series connector page.118
 X 系列连接器 X series connector page.54	 XW12 防水连接器 XW12 Waterproof connector page.83	 GX 系列连接器 GX series connector page.119

## B 系列连接器

## B series connector

B系列连接器采用安全的推拉自锁系统，适用于高级传感器及精密电子仪器设备之间的电气连接，本产品体积小，多芯类型2-30芯，接点密度高；多种键位选择。外壳采用铜合金加工，表面镀铬或者镀镍，插针插孔采用铜合金加工，表面镀金；绝缘体采用耐高温、具有良好绝缘性能的工程塑料注塑成型；护套采用软性工程塑料注塑成型，能良好的保护电缆。

B series connector using the push-pull self-locking safety system, applicable to high-level sensors and precision electronic and equipment of the electrical connection, the products are small, multipole types 2 to 30 contacts, high contact density; select multiple keys. The use of copper alloy shell processing, surface plating chrome or nickel, copper alloy pin jack used processing, the surface of gold-plated; insulators using high temperature, with good insulation properties of engineering plastics injection molding; sheath using soft plastics injection molding, cable can be well protected.



### 产品命名

浮动式插座 PH - G - 1B - 306 - C - L - L - 52 - Z  
固定式插座 EG - G - 1B - 306 - C - L - L  
插头 FG - G - 1B - 306 - C - L - A - 52 - Z

主型号 \_\_\_\_\_  
变换键位:(见06页) \_\_\_\_\_  
系列 \_\_\_\_\_  
接触对数目(第10-11页) \_\_\_\_\_  
外壳材质: 黄铜镀铬 \_\_\_\_\_  
绝缘体L: PA 6.6/PEEK/PPS \_\_\_\_\_  
针芯类型: A: 插针 L: 插孔 \_\_\_\_\_  
电缆直径 \_\_\_\_\_  
橡胶护套 \_\_\_\_\_

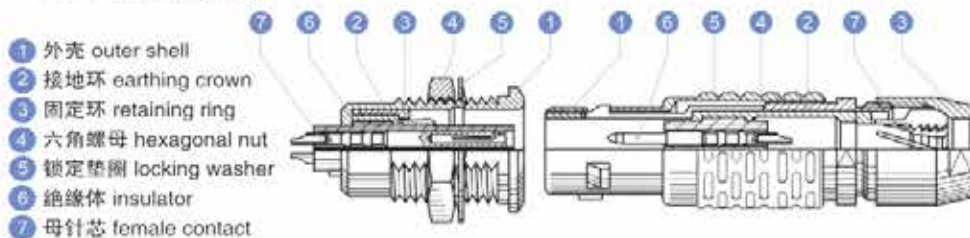
### How to order

FREE SOCKET PH - G - 1B - 306 - C - L - L - 52 - Z  
FIXED SOCKET EG - G - 1B - 306 - C - L - L  
PLUG FG - G - 1B - 306 - C - L - A - 52 - Z

TYPE \_\_\_\_\_  
ALTERNATE POSITION  
(See page:06) \_\_\_\_\_  
SERIES \_\_\_\_\_  
QTY OF CONTACTS (Page10 and11) \_\_\_\_\_  
SHELL MATERIAL: BRASS, CHROME PLATED \_\_\_\_\_  
INSULATOR: L: PA 6.6/PEEK/PPS \_\_\_\_\_  
TYPE OF TERMINAL: A: MALE CONTACT  
L: FEMALE CONTACT \_\_\_\_\_  
CABLE DIAMETER \_\_\_\_\_  
RUBBER BEND RELIEF \_\_\_\_\_

### 产品剖面图 Part Section Showing Internal Components

固定式插座 Fixed socket



- ① 外壳 outer shell
- ② 接地环 earthing crown
- ③ 固定环 retaining ring
- ④ 六角螺母 hexagonal nut
- ⑤ 锁定垫圈 locking washer
- ⑥ 绝缘体 insulator
- ⑦ 母针芯 female contact

直式插头 Straight plug

- ① 外壳 outer shell
- ② 锁定套筒 latch sleeve
- ③ 尾盖 collet nut
- ④ 绝缘体固定片 split insert carrier
- ⑤ 绝缘体 insulator
- ⑥ 公针芯 male contact
- ⑦ 线夹 collet

## B 系列连接器

## B Series connector

### 技术特性

#### 机械性能和环境因素

特性	参数	标准
插拔次数	> 5000次	IEC60512-5试验9a
湿度	在60° C时最高达95%	
温度范围	-55° C,+250° C	
抗振动性能	10-2000Hz,15g	IEC60512-4试验6d
抗冲击性能	100g,6ms	IEC60512-4试验6c
盐雾腐蚀试验	> 144 h	IEC60512-6试验11f
防护等级 (插入时)	IP50	IEC60529
环境实验	55/175/21	IEC60068-1

#### 电气性能

特性	参数	标准	
屏蔽效果	在10MHz下	> 75 dB	IEC60169-1-3
	在1GHz下	> 40 dB	IEC60169-1-3

#### 注:

以上数据是对外壳采用黄铜镀铬,绝缘体采用PA66材料的FGG插头和EGG插座进行的各项试验得出。

### Technical Characteristics

#### Mechanical and Climatical

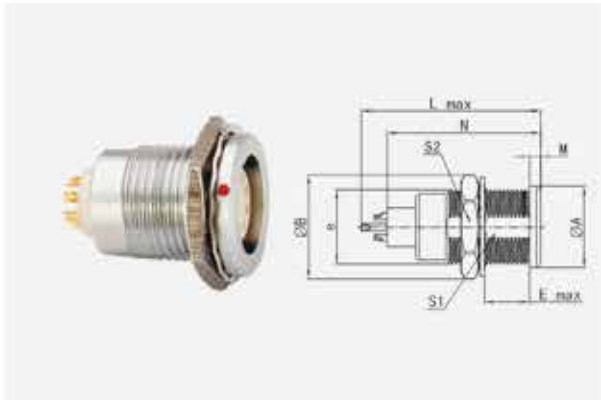
Characteristics	Value	Standard
Endurance	> 5000 cycles	IEC 60512-5 test 9a
Humidity	up to 95% at 60°C	
Temperature range	- 55°C, +250°C	
Resistance to vibration	10-2000 Hz,15g	IEC 60512-4 test 6d
Shock resistance	100g, 6 ms	IEC 60512-4 test 6c
Salt spray corrosion test	> 144h	IEC 60512-6 test 11f
Protection index (mated)	IP50	IEC 60529
Climatical category	55/175/21	IEC 60068-1

#### Electrical

Characteristics	Value	Standard	
Efficiency Shielding	at 10 MHz	> 75 dB	IEC 60169-1-3
	at 1 GHz	> 40 dB	IEC 60169-1-3

#### Note:

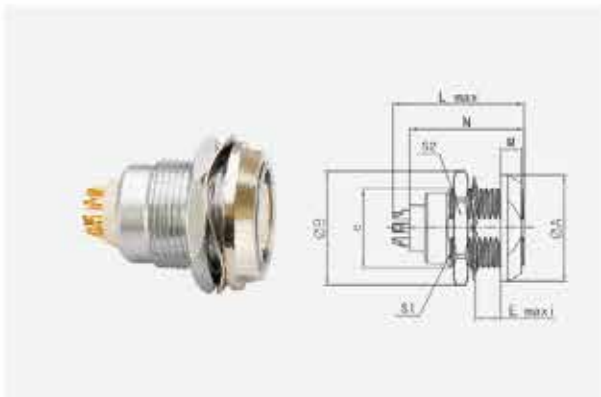
The various tests have been carried out with FGG and EGG connectorpairs,with chrome-plated brass shell and Pa66 insulator.



### EGG

固定式插座, 螺母固定, 定位销 (G) 或定位销 (A...M和R)  
 Fixed socket, nut fixing, key (G) or keys (A...M and R)

编号 Reference	尺寸Dimensions(mm)									
型号 Model	系列 Series	A	B	e	E	L	M	N	S1	S2
EGG	00	8	10.2	M7x0.75	6	15.5	1	13.7	6.3	9
EGG	0B	10	12.4	M9x0.5	7	20.7	1.2	18	8.2	11
EGG	1B	14	15.6	M12x1.0	7.5	23.5	1.5	20	10.5	14
EGG	2B	18	19.2	M15x1.0	8.5	26.7	1.8	20	13.5	17
EGG	3B	22	25.0	M18x1.0	11.5	30.7	2	25	16.5	22



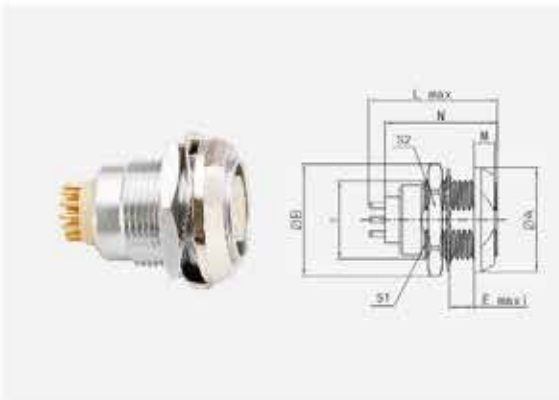
### ECG

固定式插座, 带两个螺母, 定位销 (G) 或定位销 (A...M和R) (后面板安装)  
 Fixed socket with two nuts, key (G) or keys (A...M and R) (back panel mounting)

编号 Reference	尺寸Dimensions(mm)									
型号 Model	系列 Series	A	B	e	E	L	M	N	S1	S2
ECG	00	10	10.2	M7x0.75	4.3	13.7	2.5	13.7	6.3	9
ECG	0B	12	12.4	M9x0.5	5.5	20.7	2.5	18	8.2	11
ECG	1B	16	15.6	M12x1.0	6.0	23	3.5	20	10.5	14
ECG	2B	20	19.2	M15x1.0	6.5	26.7	3.5	20	13.5	17
ECG	3B	24	25.0	M18x1.0	9.0	30.7	4.5	25	16.5	22

## B 系列连接器

## B Series connector



### ECG

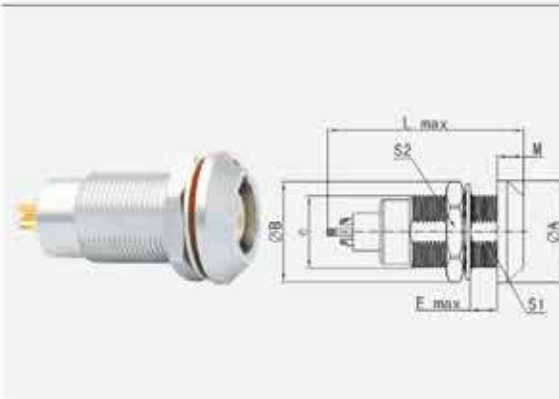
固定式插座，带两个螺母，定位销（G）或定位销（A...F和R）和适用于印制线路板的直针芯（后面板安装）

Fixed socket with two nuts, key(G) or keys(A...F and R) and straight contact for printed circuit (back panel mounting)

编号 Reference		尺寸 Dimensions(mm)								
型号 Model	系列 Series	A	B	e	E	L	M	N	S1	S2
ECG	00	10	10.2	M7x0.75	4.3	13.7	2.5	13.7	6.3	9
ECG	0B	12	12.4	M9x0.5	5.5	20.7	2.5	18	8.2	11
ECG	1B	16	15.8	M12x1.0	6.0	23	3.5	20	10.5	14
ECG	2B	20	19.2	M15x1.0	6.5	26.7	3.5	20	13.5	17
ECG	3B	24	25.0	M18x1.0	9.0	30.7	4.5	25	16.5	22

注：此针芯类型适用于配母针芯的E●●插座。

Note: this contact type is available for E●●socket models fitted with female contacts.

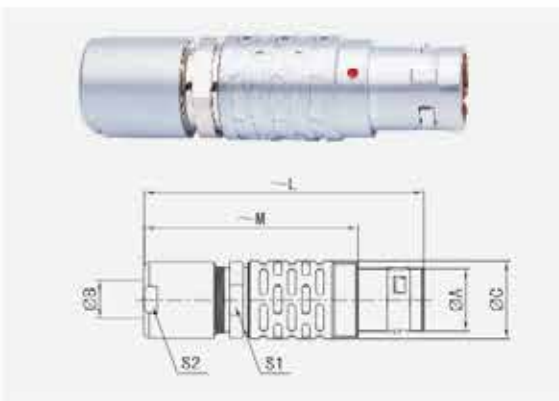


### HGG

固定式插座，螺母固定，定位销（G）或定位销（A...M和R），水密或真空密封。

Fixed socket, nut fixing, key(G) or keys(A...M and R), watertight or vacuumtight

编号 Reference		尺寸 Dimensions(mm)								
型号 Model	系列 Series	A	B	e	E	L	M	S1	S2	
HGG	00	11	10.2	M7x0.75	8	18	1.5	6.3	9	
HGG	0B	13	12.4	M9x0.5	7	22.1	3	8.2	11	
HGG	1B	18	15.8	M12x1.0	7	26.6	4.5	10.5	14	
HGG	2B	20	19.2	M15x1.0	8	31.6	4	13.5	17	
HGG	3B	25	25.0	M18x1.0	11.5	36.1	4	16.5	22	



### FGG

直式插头，定位销（G）或定位销（A...M和R），电缆线夹

Straight plug, key(G) or keys(A...M and R), cable collet

编号 Reference		尺寸 Dimensions(mm)						线夹孔位 Coniflet hole	
型号 Model	系列 Series	A	C	L	M	S1	S2	B	
FGG	00 <sup>1</sup>	5	6.4	28.5	20.5	5.5	5	1.7 2.2 2.7 3.1 3.5	
FGG	0B	6.9	9.5	36.0	26.0	8.0	7	2.1 3.1 4.2 5.2 6.2 7.2 8.2 9.5	
FGG	1B	9	12.0	43.0	32.0	10.0	9	2.7 3.1 4.2 5.2 6.2 7.2 8.2 9.5	
FGG	2B	11.9	15.0	50.0	38.0	13.0	12	3.4 5.2 6.2 7.2 8.2 9.2 10.0 11.0 12.0	
FGG	3B	14.9	18.0	58.0	43.0	15.0	14	3.4 5.2 6.2 7.2 8.2 9.2 10.0 11.0 12.0	



### FGG

直式插头，定位销（G）或定位销（A...M），电缆线夹和带护套型的尾盖<sup>1</sup>

Straight plug, key(G) or keys(A...M), cable collet and nut for fitting a bend relief<sup>1</sup>

编号 Reference		尺寸 Dimensions(mm)						线夹孔位 Coniflet hole	
型号 Model	系列 Series	A	C	L	M	S1	S2	B	
FGG	00 <sup>1</sup>	5	6.4	28.5	20	5.5	5	1.7 2.2 2.7 3.1 3.5	
FGG	0B	6.9	9.5	36.0	25	8.0	7	2.1 3.1 4.2 5.2 6.2 7.2 8.2 9.5	
FGG	1B	9	12.0	43.0	31	10.0	9	2.7 3.1 4.2 5.2 6.2 7.2 8.2 9.5	
FGG	2B	11.9	15.0	50.0	37	13.0	12	3.4 5.2 6.2 7.2 8.2 9.2 10.0 11.0 12.0	
FGG	3B	14.9	18.0	56.5	41.5	15.0	14	3.4 5.2 6.2 7.2 8.2 9.2 10.0 11.0 12.0	

**B 系列连接器**
**B Series connector**

**FFG**

直式插头，不带锁定装置，定位销（G）或定位销（A...M），电缆线夹  
 Fixed socket with two nuts, key(G) or keys(A...M), cable collet

编号 Reference		尺寸 Dimensions(mm)						线夹孔位 Conillet hole
型号 Model	系列 Series	A	C	L	M	S1	S2	B
FFG	00 <sup>h</sup>	5	6.4	28.5	20.5	5.5	5	1.7, 2.2, 2.7, 3, 13.5
FFG	0B	6.9	9.5	36.0	26.0	8.0	7	2, 1.3, 1.4, 2.5, 2.6, 6
FFG	1B	9	12.0	43.0	32.0	10.0	9	2, 7, 3, 1.4, 2.5, 2.6, 2
FFG	2B	11.9	15.0	50.0	38.0	13.0	12	2, 1, 3, 1, 3, 4, 4, 2, 5, 2 6, 2, 7, 2, 8, 2, 8, 5
FFG	3B	14.9	18.0	56.0	43.0	15.0	14	3, 4, 5, 2, 6, 2, 7, 2, 8, 2 9, 2, 10, 0, 11, 0, 12, 0


**PHG**

浮动式插座，定位销（G）或定位销（A...M和R），电缆线夹  
 Free socket, key(G) or keys(A...M and R), cable collet

编号 Reference		尺寸 Dimensions(mm)				线夹孔位 Conillet diameter
型号 Model	系列 Series	A	L	S1	S2	B
PHG	00 <sup>h</sup>	6.8	26.0	5.5	5	1.7, 2.2, 2.7, 3, 13.5
PHG	0B	9.5	35.5	8.0	7	2, 1.3, 1.4, 2.5, 2.6, 6
PHG	1B	12.5	40.5	10.0	9	2, 7, 3, 1.4, 2.5, 2.6, 2
PHG	2B	16.5	47.0	13.0	12	2, 1, 3, 1, 3, 4, 4, 2, 5, 2 6, 2, 7, 2, 8, 2, 8, 5
PHG	3B	19.0	56.0	15.0	14	3, 4, 5, 2, 6, 2, 7, 2, 8, 2 9, 2, 10, 0, 11, 0, 12, 0


**PHG**

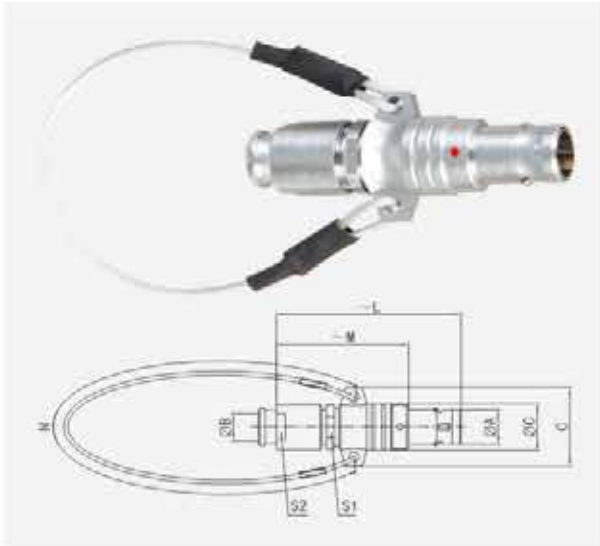
浮动式插座，定位销（G）或定位销（A...M），电缆线夹和带护套型的尾盖<sup>h1</sup>  
 Free socket, key(G) or keys(A...M), cable collet and nut for fitting a bond relief

编号 Reference		尺寸 Dimensions(mm)				线夹孔位 Conillet diameter
型号 Model	系列 Series	A	L	S1	S2	B
PHG	00 <sup>h</sup>	6.8	34.0	5.5	5	1.7, 2.2, 2.7, 3, 13.5
PHG	0B	9.5	34.5	8.0	7	2, 1.3, 1.4, 2.5, 2.6, 6
PHG	1B	12.5	39.5	10.0	9	2, 7, 3, 1.4, 2.5, 2.6, 2
PHG	2B	16.5	46.0	13.0	12	2, 1, 3, 1, 3, 4, 4, 2, 5, 2 6, 2, 7, 2, 8, 2, 8, 5
PHG	3B	19.0	54.5	15.0	14	3, 4, 5, 2, 6, 2, 7, 2, 8, 2 9, 2, 10, 0, 11, 0, 12, 0



## B 系列连接器

## B Series connector



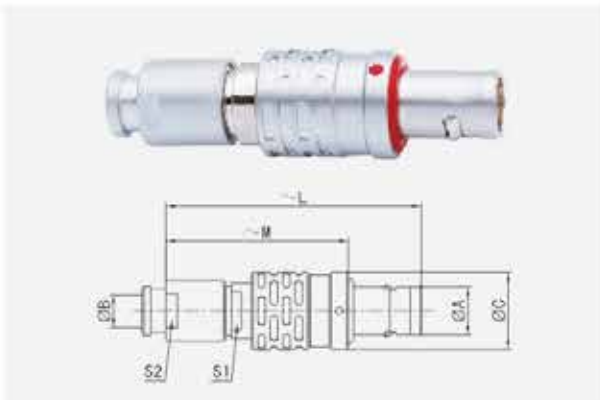
### FNG

直式插头, 定位销 (G) 或定位销 (A...M和R), 电缆线夹和解锁拉绳  
Straight plug, key(G) or keys(A...M and R), cable collet and lanyard release

编号 Reference		尺寸 Dimensions(mm)								线夹孔位 Conilet diameter				
型号 Model	系列 Series	A	C	B	L	N	S1	S2	M	B				
FNG	0B	6.9	9.5	15.5	36.0	140	8	7	26	2.1	3.1	4.2	5.2	5.6
FNG	1B	9	12.0	18.0	43.0	140	10	9	32	2.7	3.1	4.2	5.2	6.2
FNG	2B	11.9	15.0	21.0	49.0	160	13	12	37	2.1	3.1	3.4	4.2	5.2
FNG	3B	14.9	18.0	25.0	58.0	190	15	14	43	3.4	5.2	6.2	7.2	8.2
										9.2	10	11	12	

注: 接绳材料: 不锈钢索加聚酰胺外皮。

Note: cable material stainless steel with polyamide sheath.



### FEJ

直式插头, 定位销 (G) 或定位销 (A...M), 电缆线夹和带护套型的尾盖<sup>2)</sup>

Free socket, key(G) or keys (A...M), cable collet and nut for fitting a bend relief<sup>2)</sup>

编号 Reference		尺寸 Dimensions(mm)						线夹孔位 Conilet diameter				
型号 Model	系列 Series	A	C	L	M	S1	S2	B				
FEJ	0B	6.9	11	35	25	8	7	2.1	3.1	4.2	5.2	5.6



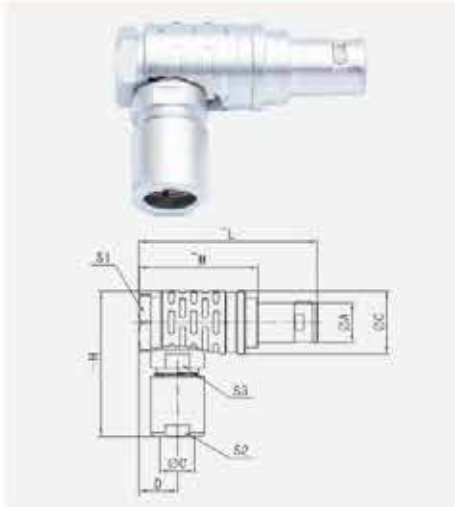
### HEJ

固定式插座, 螺母固定, 定位销 (G) 或定位销 (A...M和R)

编号 Reference		尺寸 Dimensions(mm)						
型号 Model	系列 Series	A	B	e	E	L	S1	S2
HEJ	0B	12	13	M9x0.5	5.5	19.5	8.2	10.5

## B 系列连接器

## B Series connector



### FHG

90°弯式插头，定位销 (G) 或定位销 (A...M和R), 电缆线夹  
 Elbow(90°)plug, key(G) or keys(A...M and R), cable collet

编号 Reference		尺寸 Dimensions(mm)									线夹孔位 Collet diameter	
型号 Model	系列 Series	A	C	D	H	L	M	S1	S2	S3	B	
FHG	00 <sup>1)</sup>	5	7.7	5.2	18.0	24.5	16.5	7	5	5.5	1.7, 2.2, 2.7, 3.1, 3.5	
FHG	0B	6.9	11.0	6.5	26.0	31.6	21.6	10	7	8.0	2.1, 3.1, 4.2, 5.2, 5.6	
FHG	1B	9	13.5	8.0	30.5	36.0	25.0	11	9	10.0	2.7, 3.1, 4.2, 5.2, 6.2	
FHG	2B	11.9	16.5	9.0	34.0	41.5	29.5	14	12	13.0	3.4, 4.2, 5.2, 6.2, 7.2, 8.2, 8.5	
FHG	3B	14.9	19.0	10.0	37.0	50.0	35.0	17	14	15.0	3.9, 4.9, 5.9, 6.9, 7.9, 8.9, 9.2, 10.0, 11.0, 12.0	

注: 1) 00系列的表面设计有别于其他系列。  
 Note: 1) the surface design of the 00 series is different.

## 定位销 (B系列) Alignment Key (B series)

### 定位销和极性定位销组合

### Alignment Key and Polarized Keying System

B系列连接器外壳型号由三个字母组成，最后一个字母表示定位销位置和针芯类型 (公针芯或母针芯)。

B series connector model part numbers are composed of three letters. The LAST LETTER indicates the key position and the contact type (male or female).

插座正视图 Front view of a socket	编号 Reference	定位销 数量 Nb of keys	角度 Angles	系列 Series			编号 Reference	定位销 数量 Nb of keys	角度 Angles	系列 Series		针芯类型 Contact type		注 Note	
				00	0B	1B				2B	3B	插头 Plug	插座 Socket		
	G	1		0°	0°	0°	G	1		0°	0°	公针芯 Male	母针芯 Female	●	
	A	2	α	30°	30°	30°	A	2	α	30°	30°	公针芯 Male	母针芯 Female	●	
	B	2		60°	60°	60°	B	2		45°	45°	公针芯 Male	母针芯 Female	●	
	C	2		-	90°	90°	C	2		60°	60°	公针芯 Male	母针芯 Female	●	
	D	2	β	-	135°	135°	D	2	β	γ	95°	95°	公针芯 Male	母针芯 Female	○
	E	2		-	145°	145°	E	2		120°	120°	公针芯 Male	母针芯 Female	○	
	F	2		-	155°	155°	F	2		145°	145°	公针芯 Male	母针芯 Female	○	
	J	2	γ	45°	45°	45°	J	2	α		37.5°	37.5°	母针芯 Female	公针芯 Male	●
	K	2		-	70°	70°	K	2		52.5°	52.5°	母针芯 Female	公针芯 Male	○	
	L	2		-	80°	80°	L	2		γ	70°	70°	母针芯 Female	公针芯 Male	○
	M	2	δ	-	110°	-	M	2	-	-	-	-	母针芯 Female	公针芯 Male	○
	Y	3	-	-	-	-	Y	3	β	γ	112.5°	126°	公针芯 Male	母针芯 Female	● 1)
													γ	100°	102°
		R	5	α	-	-	-	R	5	α	-	-	公针芯 Male	母针芯 Female	●
				β	-	-	-			β	-	-			
				γ	-	-	-			γ	-	-			
	δ			-	-	-	δ			-	-				