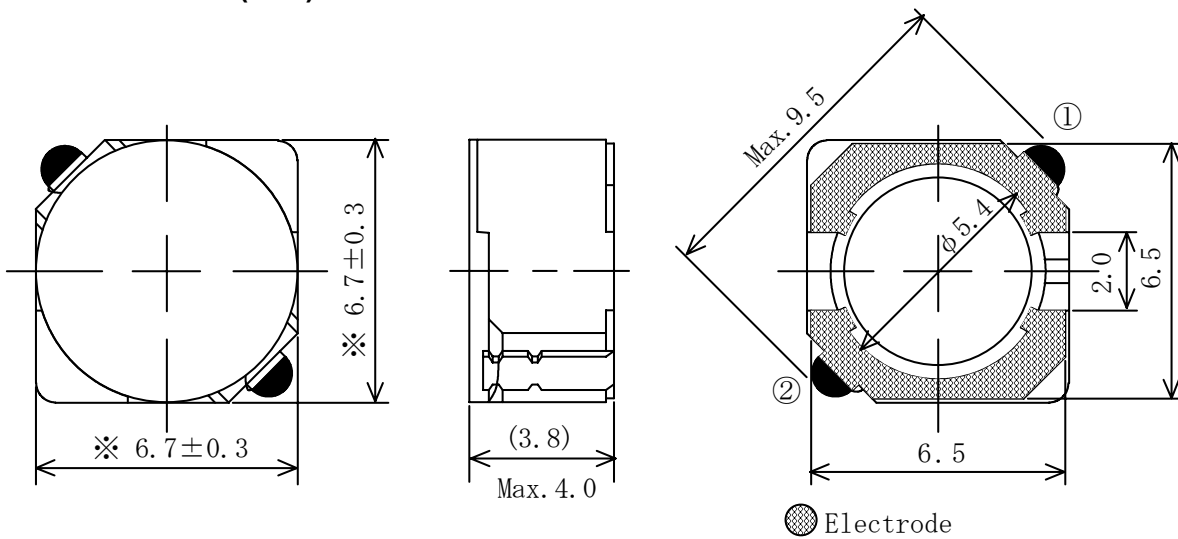
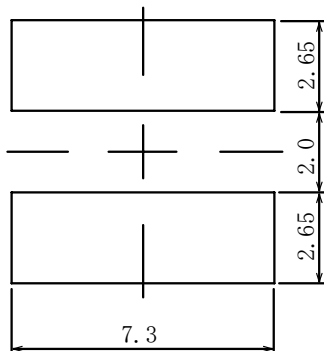


Type: CDRH6D38
◆ Product Description

- 7.0×7.0mm Max.(L×W) , 4.0mm Max. Height.
- Inductance range: 3.3~100 μ H
- Rated current range: 0.65~3.5A
- In addition to the standards versions shown here, custom inductors are also available to meet your exact requirements.


◆ Feature

- Magnetically shielded construction.
- Ideally used in Game machine, HDD, Notebook PC, Projector,PDA, etc as DC-DC Converter inductors.
- RoHS Compliance.

◆ Dimensions (mm)

◆ Land Pattern (mm)


Type: CDRH6D38
◆ Specification

Part Name ※	Stamp	Inductance [Within] 10kHz/1V	D.C.R.(Ω) Max.(Typ.) (at 20°C)	Rated Current (A) ※1
CDRH6D38NP-3R3N□	3R3	3.3μH±30%	20m (15m)	3.50
CDRH6D38NP-5R0N□	5R0	5.0μH±30%	24m (18m)	2.90
CDRH6D38NP-6R2N□	6R2	6.2μH±30%	27m (20m)	2.50
CDRH6D38NP-7R4N□	7R4	7.4μH±30%	31m (23m)	2.30
CDRH6D38NP-8R7N□	8R7	8.7μH±30%	34m (25m)	2.20
CDRH6D38NP-100N□	100	10μH±30%	38m (28m)	2.00
CDRH6D38NP-120N□	120	12μH±30%	53m (39m)	1.70
CDRH6D38NP-150N□	150	15μH±30%	57m (42m)	1.60
CDRH6D38NP-180N□	180	18μH±30%	92m (68m)	1.50
CDRH6D38NP-220N□	220	22μH±30%	96m (71m)	1.30
CDRH6D38NP-270N□	270	27μH±30%	109m (81m)	1.20
CDRH6D38NP-330N□	330	33μH±30%	124m (92m)	1.10
CDRH6D38NP-390N□	390	39μH±30%	138m(102m)	1.00
CDRH6D38NP-470N□	470	47μH±30%	155m(115m)	0.95
CDRH6D38NP-560N□	560	56μH±30%	202m(150m)	0.85
CDRH6D38NP-680N□	680	68μH±30%	234m(173m)	0.75
CDRH6D38NP-820N□	820	82μH±30%	324m(240m)	0.70
CDRH6D38NP-101N□	101	100μH±30%	358m(265m)	0.65

※ Description of part name

CDRH6D38NP-3R3N□

	B	Box
	C	Carrier Tape

※1 Rated current: The DC current at which the inductance decreases to 65% of it's nominal value or when $\Delta t=30^{\circ}\text{C}$, whichever is lower($T_a=20^{\circ}\text{C}$).