


This document is not intended for viewing onscreen. It is best viewed when printed and read from paper.

Depending on your printer, you may need to select “Shrink to Fit” in the print dialog to ensure that the document prints correctly.



AK4520

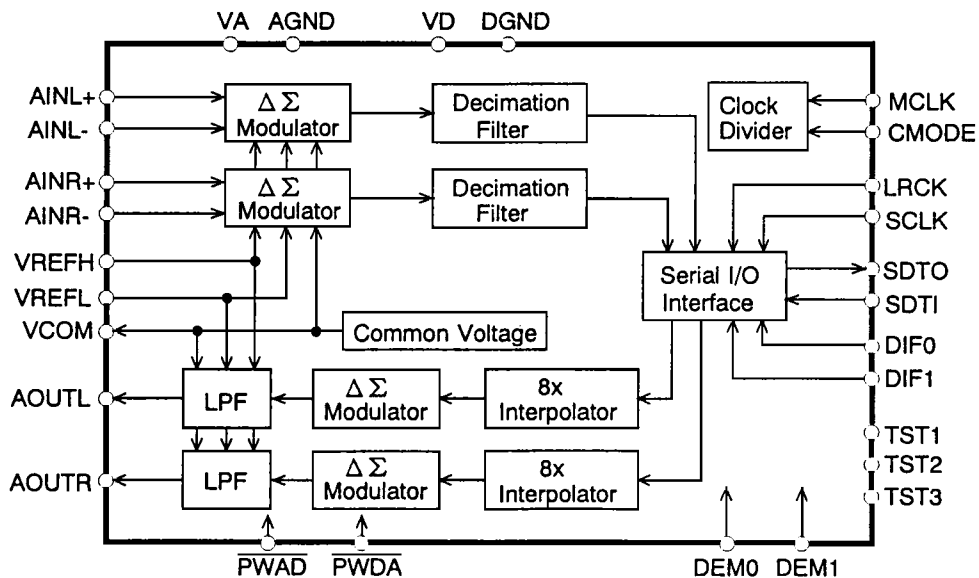
20- Bit Stereo $\Delta \Sigma$ ADC & DAC

General Description

The AK4520 is a stereo CMOS A/D & D/A converter for middle- range MD/DAT, Surround System and musical instruments. Signal inputs and outputs are single- ended. The DAC outputs are analog filtered to remove out of band noise. External components are minimized.

Features

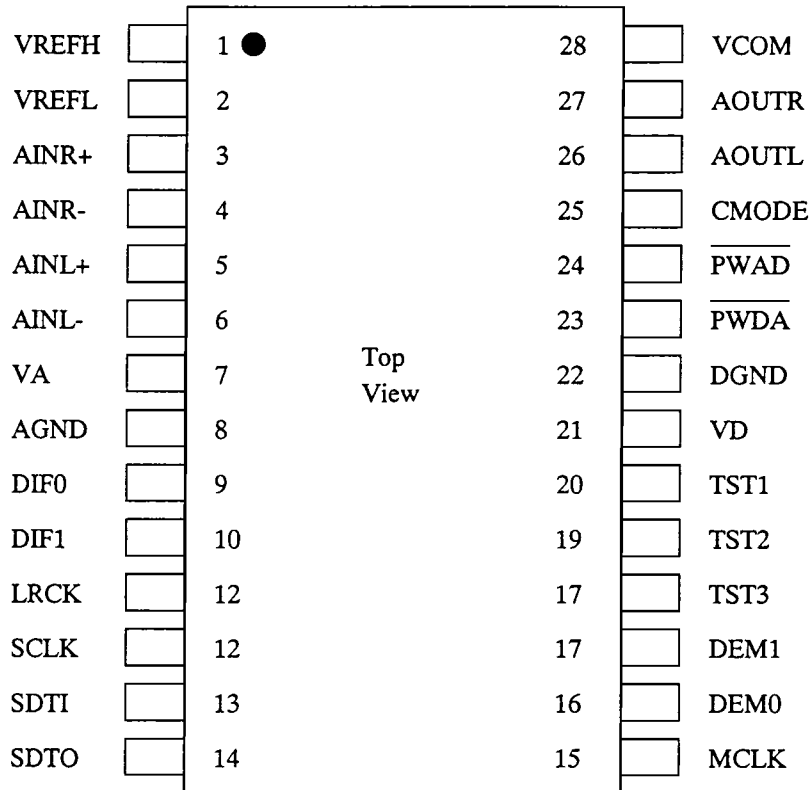
- $\Delta \Sigma$ Stereo ADC
 - 64x Oversampling
 - S/(N+D): 90dB at 5V, 86dB at 3V
 - Dynamic Range: 98dB at 5V, 94dB at 3V
 - S/N: 98dB at 5V, 94dB at 3V
 - Digital HPF for offset cancel
- $\Delta \Sigma$ Stereo DAC
 - 128x Oversampling
 - 2nd order SCF + 2nd order CTF
 - Digital de- emphasis for 32kHz, 44.1kHz, 48kHz sampling
 - S/(N+D): 90dB at 5V, 86dB at 3V
 - Dynamic Range: 96dB at 5V, 92dB at 3V
 - S/N: 96dB at 5V, 92dB at 3V
- High Jitter Tolerance
- Sample Rate Ranging from 16kHz to 50kHz
- Master Clock: 256fs or 384fs
- 2.7 to 3.6V or 4.5 to 5.5V supply
- Low Power Dissipation: 116mW at 3V
- Small 28pin VSOP Package



■ Ordering Guide

AK4520- VF	- 10 ~ +70 °C	28pin VSOP
AKD4520	AK4520 Evaluation Board	

■ Pin Layout



PIN/FUNCTION			
No.	Pin Name	I/O	Function
1	VREFH	I	Positive Voltage Reference Input Pin, VA Used as a positive voltage reference by ADC & DAC. VREFH is connected externally to filtered VA.
2	VREFL	I	Negative Voltage Reference Input Pin, AGND Used as a negative voltage reference by ADC & DAC. VREFL is connected externally to AGND.
3	AINR+	I	Rch Analog Positive Input pin
4	AINR-	I	Rch Analog Negative Input Pin
5	AINL+	I	Lch Analog Positive Input pin
6	AINL-	I	Lch Analog Negative Input Pin
7	VA	-	Analog Power Supply Pin
8	AGND	-	Analog Ground pin
9	DIF0	I	Audio Data Interface Format Pin
10	DIF1	I	Audio Data Interface Format Pin
11	LRCK	I	Input/Output Channel Clock Pin
12	SCLK	I	Audio Serial Data Clock Pin
13	SDTI	I	Audio Serial Data Input Pin
14	SDTO	O	Audio Serial Data Output Pin
15	MCLK	I	Master Clock Input Pin
16	DEM0	I	De-emphasis Frequency Select Pin
17	DEM1	I	De-emphasis Frequency Select Pin
18	TST3	I/O	Test Pins (Pull down pins) Must be left open or connected to DGND.
19	TST2	I/O	
20	TST1	I	
21	VD	-	Digital Power Supply Pin
22	DGND	-	Digital Ground Pin
23	PWDA	I	DAC Power- Down Mode Pin
24	PWAD	I	ADC Power- Down Mode Pin
25	CMODE	I	Master Clock Select Pin "H": 384fs, "L": 256fs
26	AOUTL	O	Lch analog output pin
27	AOUTR	O	Rch analog output pin
28	VCOM	O	Common Voltage Output Pin, VA/2

ABSOLUTE MAXIMUM RATINGS

(AGND,DGND=0V; Note 1)

Parameter	Symbol	min	max	Units	
Power Supplies:	Analog	VA	- 0.3	6.0	V
	Digital	VD	- 0.3	6.0	V
	AGND- DGND	Δ GND	-	0.3	V
Input Current, Any Pin Except Supplies	IIN	-	\pm 10	mA	
Analog Input Voltage	VINA	- 0.3	VA+0.3	V	
Digital Input Voltage	VIND	- 0.3	VD+0.3	V	
Ambient Temperature (power applied)	Ta	- 10	70	°C	
Storage Temperature	Tstg	- 65	150	°C	

Note: 1 . All voltages with respect to ground.

WARNING: Operation at or beyond these limits may result in permanent damage to the device. Normal operation is not guaranteed at these extremes.

RECOMMENDED OPERATING CONDITIONS

(AGND,DGND=0V; Note 1)

Parameter	Symbol	min	typ	max	Units	
Power Supplies:	3V operation					
	Analog	VA	2.7	3.0	3.6	V
	Digital	VD	2.7	3.0	VA	V
	5V operation					
	Analog	VA	4.5	5.0	5.5	V
	Digital	VD	4.5	5.0	VA	V

Note: 1. All voltages with respect to ground.

ANALOG CHARACTERISTICS

($T_a=25\text{ }^\circ\text{C}$; $V_A, V_D=5.0\text{V}$; $AGND=DGND=0\text{V}$; $V_{REFH}=V_A$; $V_{REFL}=AGND$;
 $f_s=44.1\text{kHz}$; Signal Frequency=1kHz; Measurement frequency=10Hz ~ 20kHz; unless otherwise specified)

Parameter			min	typ	max	Units
ADC Analog Input Characteristics: Differential Inputs; Analog Source Impedance=470 Ω						
Resolution					20	Bits
S/(N+D)	(- 0.5dB Input) (Note 2)	$V_A=3\text{V}$	80	86		dB
		$V_A=5\text{V}$	84	90		dB
DR (- 60dB Input, A- Weighted)		$V_A=3\text{V}$	90	94		dB
		$V_A=5\text{V}$	94	98		dB
S/N (A- Weighted)		$V_A=3\text{V}$	90	94		dB
		$V_A=5\text{V}$	94	98		dB
Interchannel Isolation			90	110		dB
Interchannel Gain Mismatch				0.1	0.3	dB
Gain Drift				20		ppm/ $^\circ\text{C}$
Input Voltage $A_{IN}=0.6x(V_{REFH}-V_{REFL})$		$V_A=3\text{V}$	1.7	1.8	1.9	V _{pp}
		$V_A=5\text{V}$	2.85	3.0	3.15	V _{pp}
Input Resistance			20	30		k Ω
Power Supply Rejection (Note 3)				50		dB
DAC Analog Output Characteristics:						
Resolution					20	Bits
S/(N+D)		$V_A=3\text{V}$	80	86		dB
		$V_A=5\text{V}$	84	90		dB
DR (- 60dB Output, A- Weighted)		$V_A=3\text{V}$	88	92		dB
		$V_A=5\text{V}$	92	96		dB
S/N (A- Weighted)		$V_A=3\text{V}$	88	92		dB
		$V_A=5\text{V}$	92	96		dB
Interchannel Isolation			90	110		dB
Interchannel Gain Mismatch				0.1	0.3	dB
Gain Drift				20		ppm/ $^\circ\text{C}$
Output Voltage $A_{OUT}=0.62x(V_{REFH}-V_{REFL})$		$V_A=3\text{V}$	1.77	1.87	1.97	V _{pp}
		$V_A=5\text{V}$	2.95	3.1	3.25	V _{pp}
Load Resistance			10			k Ω
Load Capacitance					25	pF
Power Supply Rejection (Note 3)				50		dB
Power Supplies						
Power supply Current		$V_A=V_D=5\text{V}$				
Analog VA	AD+DA	$\overline{PWAD}="H", \overline{PWDA}="H"$		33	50	mA
	AD	$\overline{PWAD}="H", \overline{PWDA}="L"$		16	24	mA
	DA	$\overline{PWAD}="L", \overline{PWDA}="H"$		19	29	mA
Digital VD (Note 4)	AD+DA	$\overline{PWAD}="H", \overline{PWDA}="H"$		10	15	mA
	AD	$\overline{PWAD}="H", \overline{PWDA}="L"$		6	9	mA
	DA	$\overline{PWAD}="L", \overline{PWDA}="H"$		4	6	mA
VA+VD	Power down	$\overline{PWAD}="L", \overline{PWDA}="L"$		50	300	μA

Note: 2. In case of single ended input, $S/(N+D)=84\text{dB}$ (typ, @ $V_A=5\text{V}$).

3. PSR is applied to V_A, V_D with 1kHz, 50mV_{pp}. V_{REFH}/V_{REFL} pin is held a constant voltage.

4. The typical supply current of VD drops to $AD+DA=5.5\text{mA}$, $AD=3.5\text{mA}$, $DA=2\text{mA}$ at 3.0V supply voltage.

FILTER CHARACTERISTICS

(Ta=25 °C ; VA,VD=2.7 ~ 5.5V; fs=44.1kHz; DEM0="1", DEM1="0")

Parameter	Symbol	min	typ	max	Units	
ADC Digital Filter(Decimation LPF):						
Passband (Note 5)	- 0.005dB	PB	0		19.76	kHz
	- 0.02dB		0		20.02	kHz
	- 0.06dB		0		20.20	kHz
	- 6.0dB		0		22.05	kHz
Stopband	SB	24.34			kHz	
Passband Ripple	PR			± 0.005	dB	
Stopband Attenuation	SA	80			dB	
Group Delay (Note 6)	GD		29.3		1/fs	
Group Delay Distortion	Δ GD		0		us	
ADC Digital Filter(HPF):						
Frequency Response (Note 5)	- 3dB	FR		0.9		Hz
	- 0.5dB			2.7		Hz
	- 0.1dB			6.0		Hz
DAC Digital Filter: -						
Passband (Note 5)	- 0.06dB	PB	0		20.0	kHz
	- 6.0dB		0		22.05	kHz
Stopband	SB	24.1			kHz	
Passband Ripple	PR			± 0.06	dB	
Stopband Attenuation	SA	43			dB	
Group Delay (Note 6)	GD		14.7		1/fs	
DAC Digital Filter+Analog Filter:						
Frequency Response 0 ~ 20.0kHz	FR		± 0.1		dB	

Notes: 5. The Passband and stopband frequencies scale with fs. For example, 20.02kHz at - 0.02dB is 0.454 x fs.
The reference frequency of these responses is 1kHz.

6. The calculating delay time which occurred by digital filtering. This time is from the input of analog signal to setting the 20bit data of both channels to the output register for ADC.

For DAC, this time is from setting the 20bit data of both channels on input register to the output of analog signal.

DIGITAL CHARACTERISTICS

(Ta=25 °C ; VA,VD=2.7 ~ 5.5V)

Parameter	Symbol	min	typ	max	Units
High- Level Input Voltage	VIH	70%VD	-	-	V
Low- Level Input Voltage	VIL	-	-	30%VD	V
High- Level Output Voltage (Iout=- 100uA)	VOH	VD- 0.5	-	-	V
Low- Level Output Voltage (Iout=100uA)	VOL	-	-	0.5	V
Input Leakage Current	Iin	-	-	± 10	uA

SWITCHING CHARACTERISTICS

(Ta=25 °C ; VA,VD=2.7 ~ 5.5V; CL=20pF)

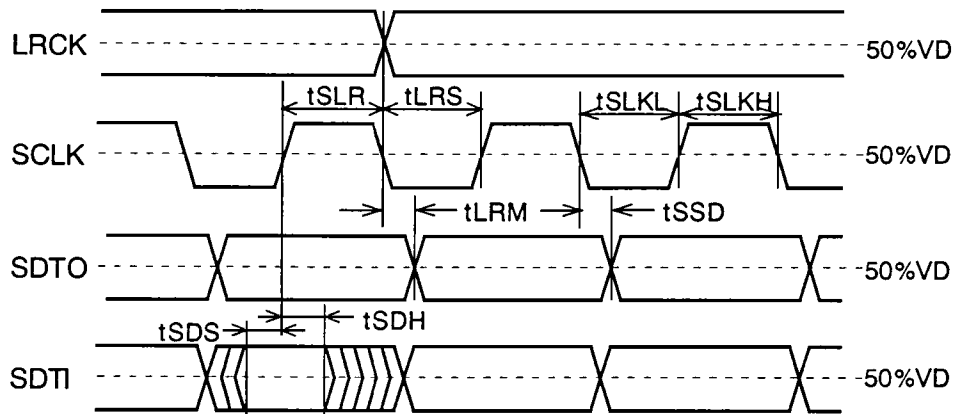
Parameter	Symbol	min	typ	max	Unit	
Master Clock Timing	256fs:	fCLK	4.096		12.8	MHz
	Pulse Width Low	tCLKL	27			ns
	Pulse Width High	tCLKH	27			ns
	384fs:	fCLK	6.144		19.2	MHz
	Pulse Width Low	tCLKL	20			ns
	Pulse Width High	tCLKH	20			ns
LRCK Frequency (Note 7)	fs	16	44.1	50	kHz	
Duty Cycle		45		55	%	
Serial Interface Timing	SCLK Period	tSCK	312.5			ns
	SCLK Pulse Width Low	tSCKL	120			ns
	Pulse Width High	tSCKH	120			ns
	LRCK Edge to SCLK " ↑ " (Note 8)	tLRS	30			ns
	SCLK " ↑ " to LRCK Edge (Note 8)	tSLR	30			ns
	LRCK to SDTO(MSB)	tLRM			100	ns
	SCLK " ↓ " to SDTO	tSSD			100	ns
	SDTI Hold Time	tSDH	40			ns
	SDTI Setup Time	tSDS	40			ns
Reset Timing	PWAD & PWDA Pulse Width	tPW	150			ns
	PWAD " ↑ " to SDTO valid (Note 9)	tPWV		516		1/fs

Notes: 7. If the duty cycle of LRCK changes larger than 5 to 50%, the AK4520 is reset by the internal phase circuit automatically.

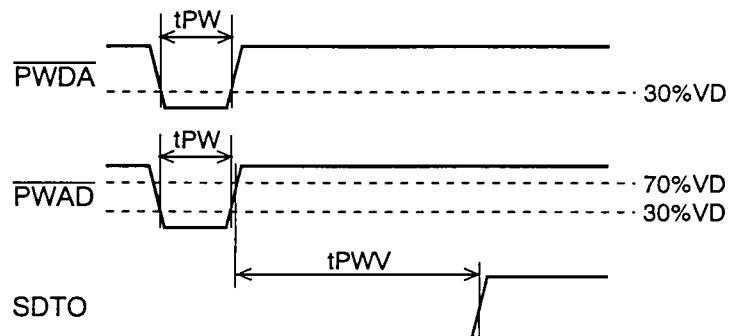
8. SCLK rising edge must not occur at the same time as LRCK edge.

9. These cycles are the number of LRCK rising from PWAD rising.

■ Timing Diagram



Serial Interface Timing



Reset & Initialize Timing

OPERATION OVERVIEW

■ **System Clock Input**

The AK4520 with CMODE is used to select either MCLK=256fs or 384fs. The relationship between the external clock applied to the MCLK input and the desired sample rate is defined in Table 1. The LRCK clock input must be synchronized with MCLK, however the phase is not critical. Internal timing is synchronized to LRCK upon power-up or when the internal timing becomes out of phase. All external clocks must be present unless both PWDA and PWAD = "L", otherwise excessive current may result from abnormal operation of internal dynamic logic.

fs	MCLK		SCLK	
	256fs CMODE="L"	384fs CMODE="H"	64fs	32fs
32.0kHz	8.1920MHz	12.2880MHz	2.048MHz	1.0240MHz
44.1kHz	11.2896MHz	16.9344MHz	2.822MHz	1.4112MHz
48.0kHz	12.2880MHz	18.4320MHz	3.072MHz	1.5360MHz

Table 1. System Clock Example

■ **Audio Serial Interface Format**

Data is shifted in/out the SDTI/SDTO pins using SCLK and LRCK inputs. Four serial data modes are supported selected by the DIF0 and DIF1 pins as shown in Table 2. In all modes the serial data is MSB- first, 2's compliment format is clocked on the falling edge of SCLK. For mode 3, if SCLK is 32fs, then the least significant bits will be truncated.

Mode	DIF1	DIF0	SDTO(ADC)	SDTI(DAC)	L/R	SCLK
0	0	0	16bit, MSB justified	16bit, LSB justified	H/L	≧ 32fs
1	0	1	20bit, MSB justified	20bit, LSB justified	H/L	≧ 40fs
2	1	0	20bit, MSB justified	20bit, MSB justified	H/L	≧ 40fs
3	1	1	IIS(I2S)	IIS(I2S)	L/H	32fs or ≧ 40fs

Table 2. Serial Data Modes

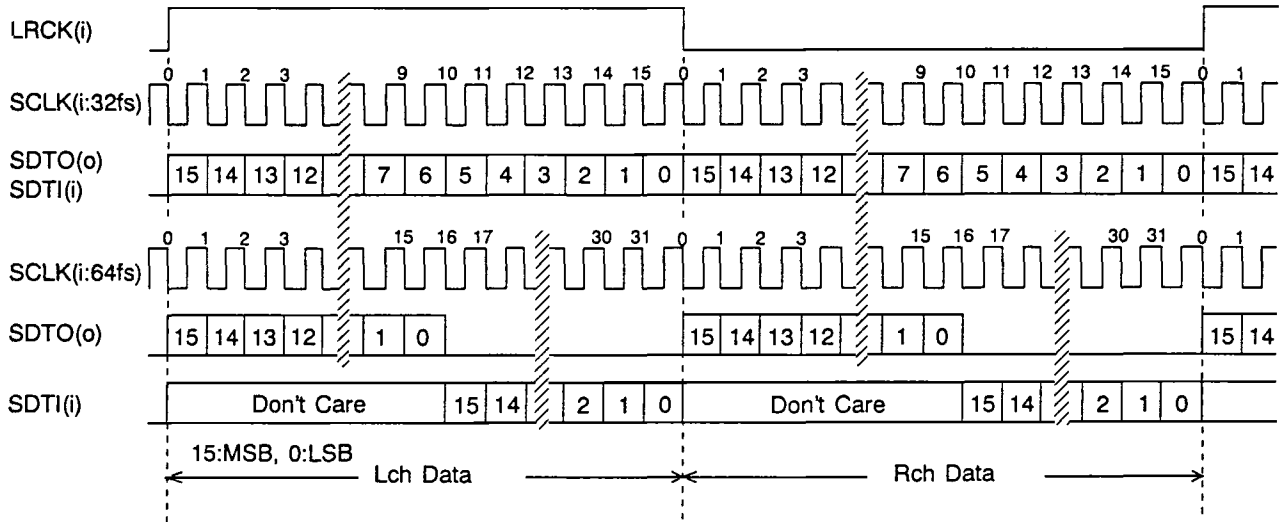


Figure 1. Mode 0 Timing

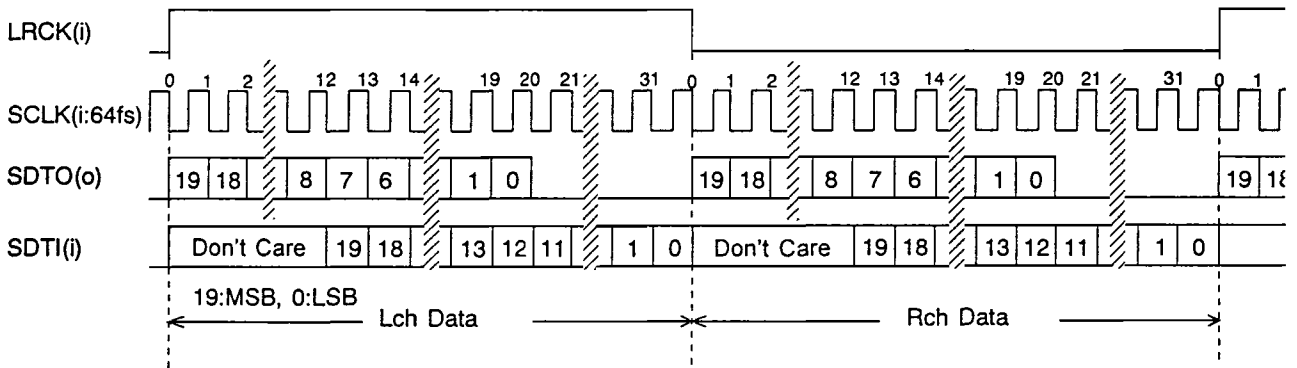


Figure 2. Mode 1 Timing

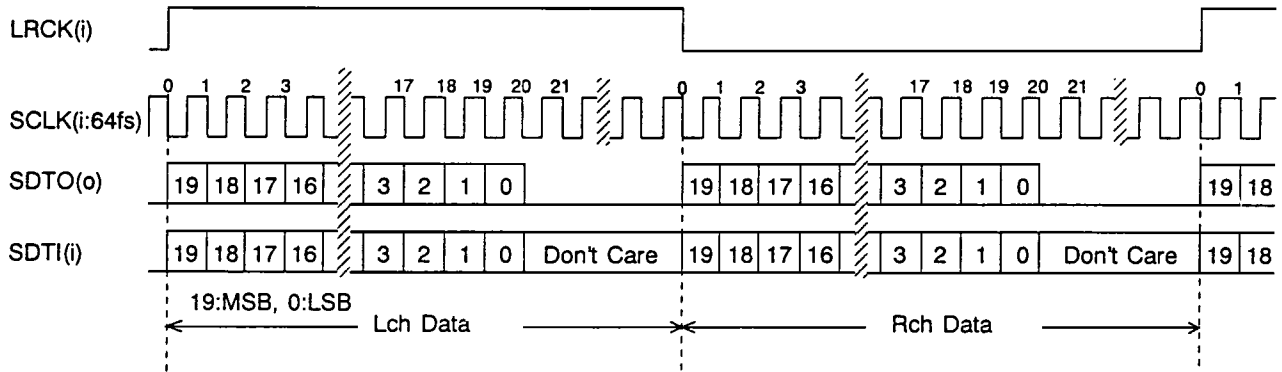


Figure 3. Mode 2 Timing

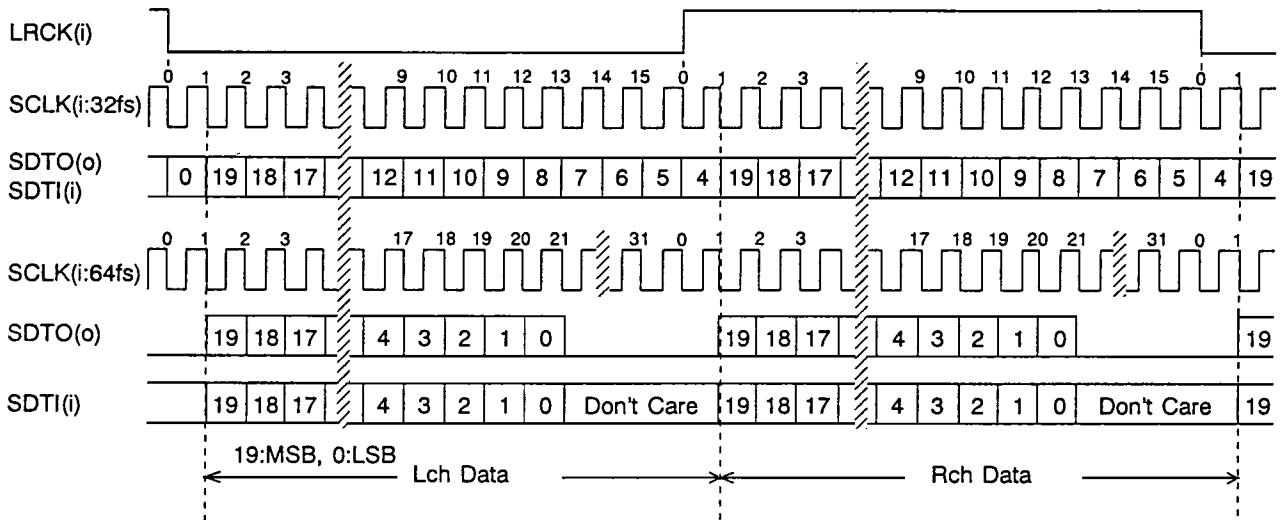


Figure 4. Mode 3 Timing

■ Digital High Pass Filter

The ADC of AK4520 has a digital high pass filter for DC offset cancel. The cut-off frequency of the HPF is 0.9Hz at $f_s=44.1\text{kHz}$ and also scales with sampling rate(f_s).

■ De-emphasis filter

The DAC of AK4520 includes the digital de-emphasis filter($t_c=50/15\mu\text{s}$) by IIR filter. This filter corresponds to three frequencies (32kHz,44.1kHz,48kHz). The de-emphasis filter selected by DEM0 and DEM1 is enabled for input audio data. The de-emphasis is also disabled at DEM0="1" and DEM1="0".

DEM 1	DEM0	Mode
0	0	44.1kHz
0	1	OFF
1	0	48kHz
1	1	32kHz

Table 3. De-emphasis filter control

SYSTEM DESIGN

Figure 6 shows the system connection diagram. This is an example which analog signal is input by single ended circuit. In case of differential input, please refer to Figure 9. An evaluation board is available which demonstrates application circuits, the optimum layout, power supply arrangements and measurement results.

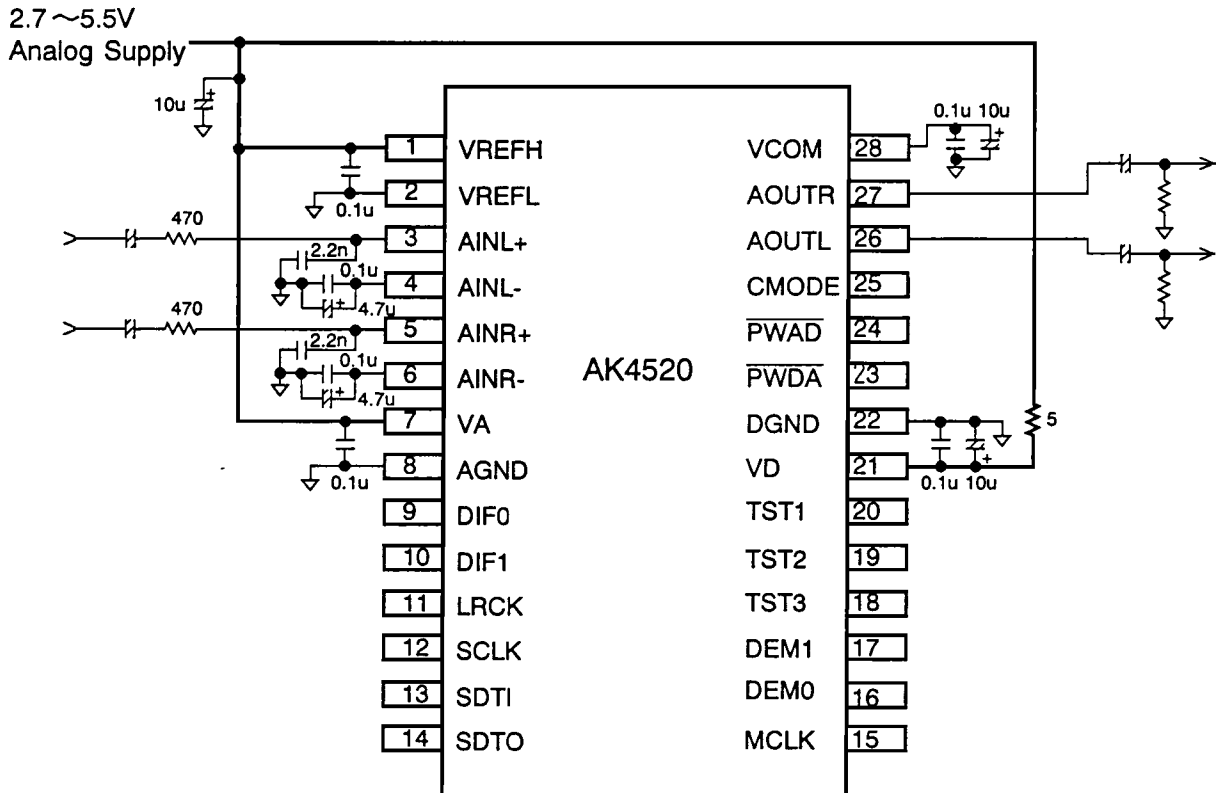


Figure 6. Typical Connection Diagram

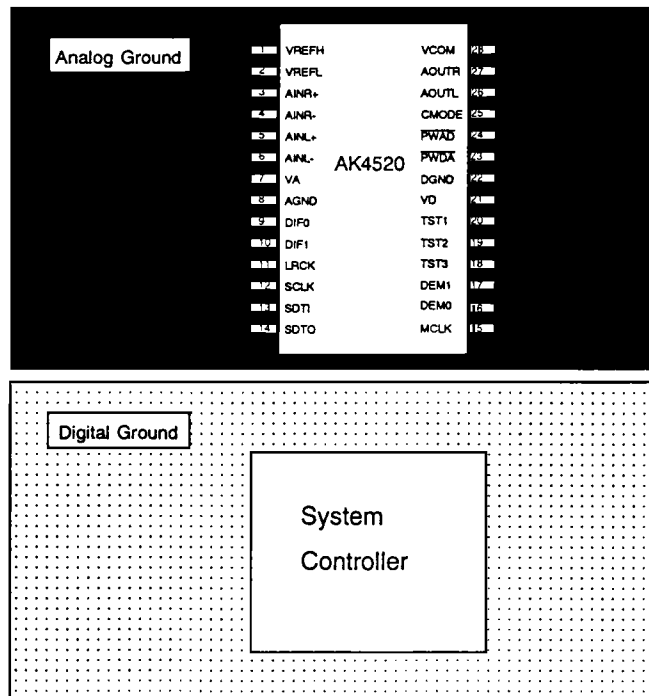
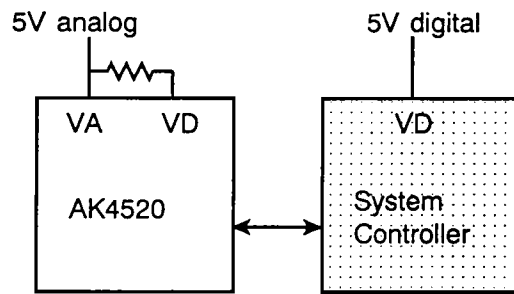
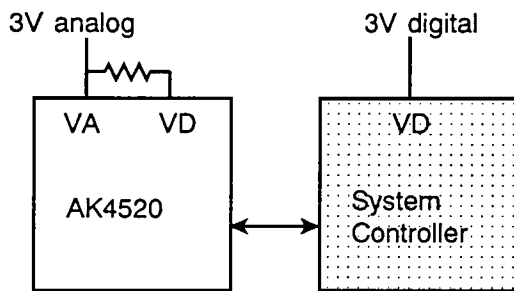


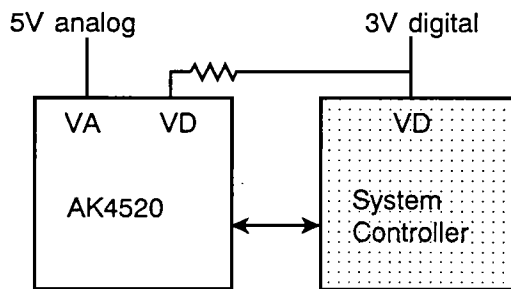
Figure 7. Ground Layout



Case 1. 5V system



Case 2. 3V system



Case 3. 5V/3V system

Figure 8. Power Supply Arrangement

1. Grounding and Power Supply Decoupling

The AK4520 requires careful attention to power supply and grounding arrangements. VD should be supplied from analog power supply. AGND and DGND of the AK4520 should be connected to analog ground plane. System analog ground and digital ground should be connected together near to where the supplies are brought onto the printed circuit board. Decoupling capacitors should be as near to the AK4520 as possible, with the small value ceramic capacitor being the nearest.

2. On- chip voltage reference

The differential Voltage between VREFH and VREFL sets the analog input/output range. VREFH pin is normally connected to VA with a 0.1uF ceramic capacitor and VREFL pin is connected to AGND. VCOM is a signal ground of this chip. An electrolytic capacitor 10uF parallel with a 0.1uF ceramic capacitor attached to VCOM pin eliminates the effects of high frequency noise. No load current may be drawn from VCOM pin. All signals, especially clocks, should be kept away from the VREFH, VREFL and VCOM pins in order to avoid unwanted coupling into the AK4520.

3. Analog Inputs

The ADC inputs are differential and internally biased to the common voltage(VA/2) with 30k Ω (typ) resistance. Figure 6 is a circuit example which analog signal is input by single end. the signal can be input from either positive or negative input and the input signal range scales with the supply voltage and nominally 0.6 x (VREFH- VREFL) Vpp. In case of single ended input, the distortion around full scale degrades compared with differential input. Figure 9 is a circuit example which analog signal is input to both positive and negative input and the input signal range scales with the supply voltage and nominally 0.3 x (VREFH- VREFL) Vpp. The AK4520 can accept input voltages from AGND to VA. The ADC output data format is 2's complement The output code is 7FFFFH(@20bit) for input above a positive full scale and 80000H(@20bit) for input below a negative full scale. The ideal code is 00000H(@20bit) with no input signal. The DC offset is removed by the internal HPF.

The AK4520 samples the analog inputs at 64fs. The digital filter rejects noise above the stop band except for multiples of 64fs. A simple RC filter($f_c=150kHz$) may be used to attenuate any noise around 64fs and most audio signals do not have significant energy at 64fs.

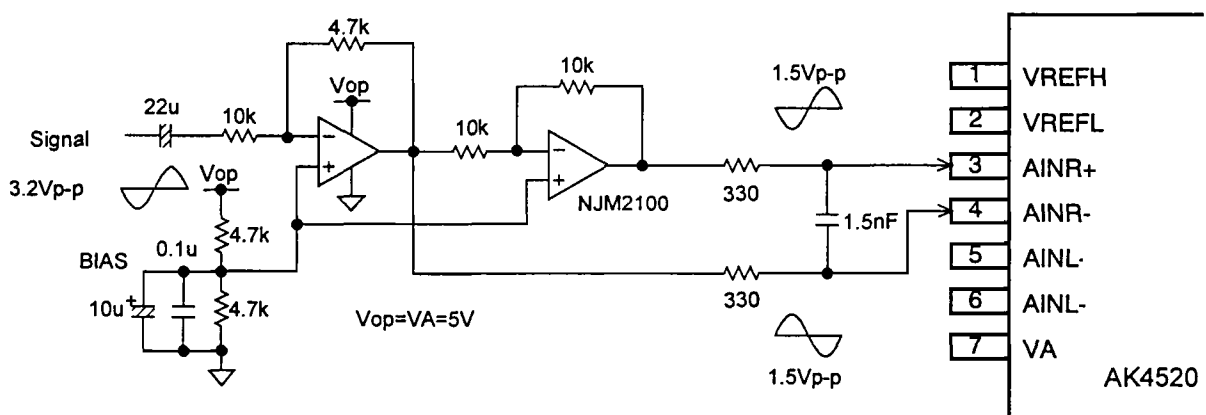


Figure 9. Differential Input Buffer Example

4. Analog Outputs

The analog outputs are also single-ended and centered around the VCOM voltage. The input signal range scales with the supply voltage and nominally $0.6 \times (V_{REFH} - V_{REFL}) V_{pp}$. The DAC input data format is 2's complement. The output voltage is a positive full scale for 7FFFFH(@20bit) and a negative full scale for 80000H(@20bit). The ideal output is VCOM voltage for 00000H(@20bit). The internal switched-capacitor filter and continuous-time filter removes most of the noise generated by the delta-sigma modulator of DAC beyond the audio passband.

DC offsets on analog outputs are eliminated by AC coupling since DAC outputs have DC offsets of a few mV. Figure 10 shows the example of external op-amp circuit with 6dB gain. The output signal is inverted by using the circuit in this case.

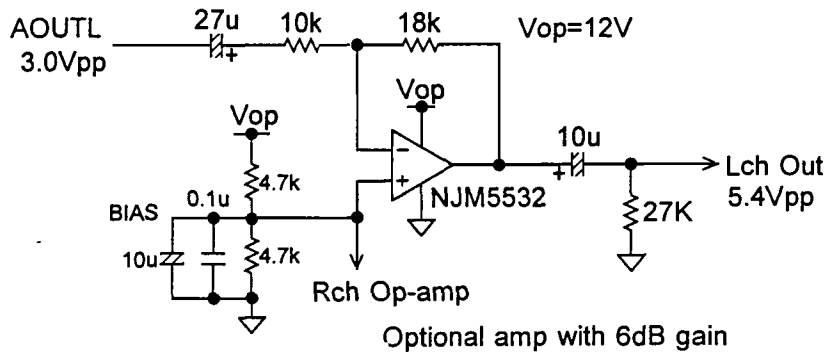
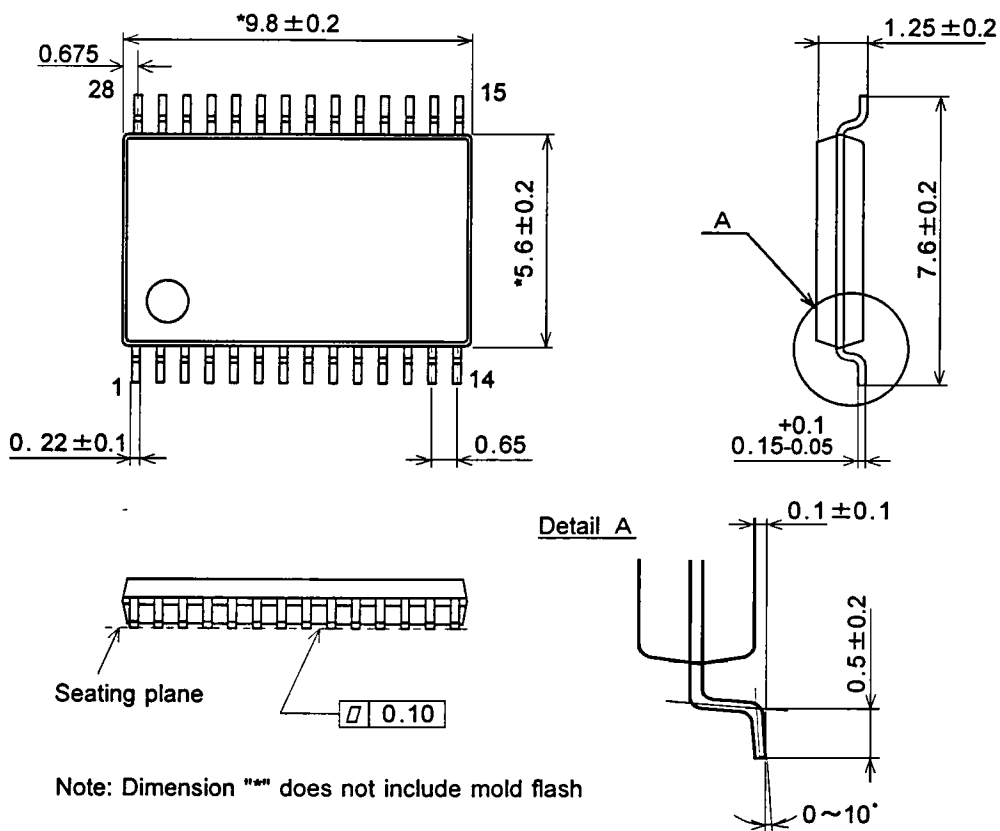


Figure 10. External analog circuit example(gain=6dB)

PACKAGE

● 28pin VSOP (Unit: mm)

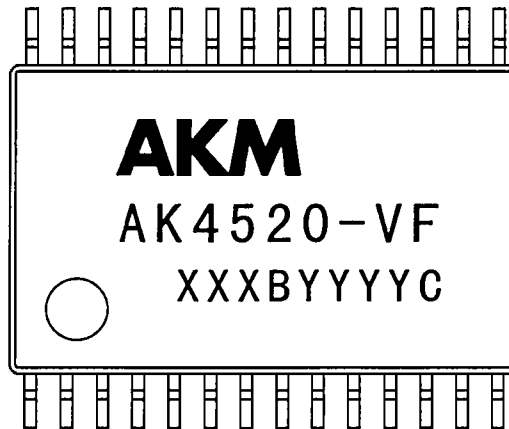


Note: Dimension "*" does not include mold flash

■ Material & Lead finish

Package molding compound:	Epoxy
Lead frame material:	Cu
Lead frame surface treatment:	Solder plate

MARKING



XXXXBYYYYC data code identifier

XXXXB : Lot number (X : Digit number, B : Alpha character)

YYYYC : Assembly date (Y : Digit number, C : Alpha character)

IMPORTANT NOTICE

- These products and their specifications are subject to change without notice. Before considering any use or application, consult the Asahi Kasei Microsystems Co., Ltd. (AKM) sales office or authorized distributor concerning their current status.
- AKM assumes no liability for infringement of any patent, intellectual property, or other right in the application or use of any information contained herein.
- Any export of these products, or devices or systems containing them, may require an export license or other official approval under the law and regulations of the country of export pertaining to customs and tariffs, currency exchange, or strategic materials.
- AKM products are neither intended nor authorized for use as critical components in any safety, life support, or other hazard related device or system, and AKM assumes no responsibility relating to any such use, except with the express written consent of the Representative Director of AKM. As used here:
 - (a) A hazard related device or system is one designed or intended for life support or maintenance of safety or for applications in medicine, aerospace, nuclear energy, or other fields, in which its failure to function or perform may reasonably be expected to result in loss of life or in significant injury or damage to person or property.
 - (b) A critical component is one whose failure to function or perform may reasonably be expected to result, whether directly or indirectly, in the loss of the safety or effectiveness of the device or system containing it, and which must therefore meet very high standards of performance and reliability.
- It is the responsibility of the buyer or distributor of an AKM product who distributes, disposes of, or otherwise places the product with a third party to notify that party in advance of the above content and conditions, and the buyer or distributor agrees to assume any and all responsibility and liability for and hold AKM harmless from any and all claims arising from the use of said product in the absence of such notification.