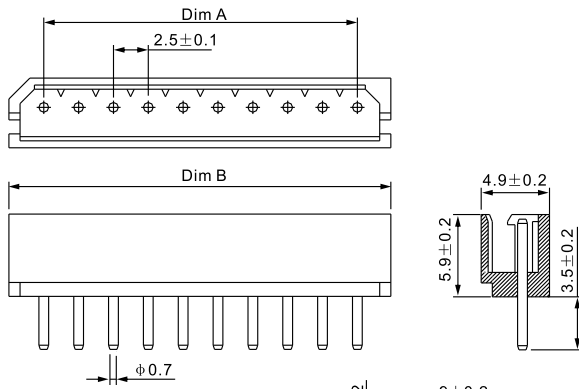


Specifications

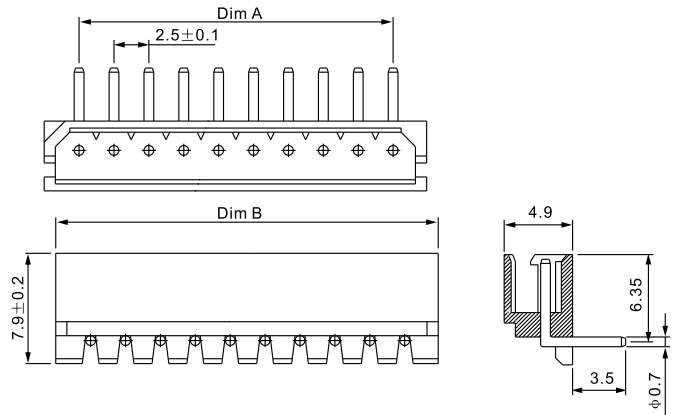
Current rating:3.0AAC/DC
Voltage rating:250V AC/DC
Contact resistance:20m ohm. max.
Insulation resistance:1000M ohm. Min.
Withstanding voltage:1000V AC for one minute
Operating temperature range:-40°C to +85°C

Material and Finish

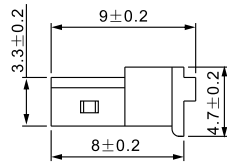
Insulator:High Temp. Plastic(UL94V-0)
Contact:Copper Alloy
Plating:Tin Plated



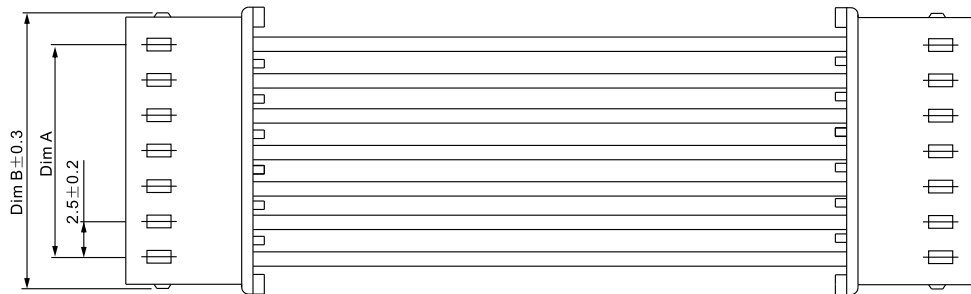
P/N: 2317SM-XX



P/N: 2317RM-XX



P/N:2318HM-XX



Engineering Dimension

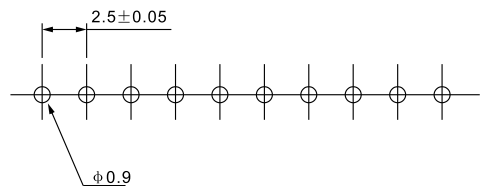
P/N:2317SM(RM)-XX

| Circuits | Dim. A | Dim. B |
|----------|--------|--------|
| 2 | 2.50 | 7.40 |
| 3 | 5.00 | 9.90 |
| 4 | 7.50 | 12.40 |
| 5 | 10.00 | 14.90 |
| 6 | 12.50 | 17.40 |
| 7 | 15.00 | 19.90 |
| 8 | 17.50 | 22.40 |
| 9 | 20.00 | 24.90 |

P/N:2318HM-XX

| Circuits | Dim. A | Dim. B |
|----------|--------|--------|
| 2 | 2.50 | 6.40 |
| 3 | 5.00 | 8.90 |
| 4 | 7.50 | 11.40 |
| 5 | 10.00 | 13.90 |
| 6 | 12.50 | 16.40 |
| 7 | 15.00 | 18.90 |
| 8 | 17.50 | 21.40 |
| 9 | 20.00 | 23.90 |

Recommended PCB Layout



Ordering Information

2317SM-XX

① ②

2318HM-XX

① ②

| | |
|-----------------------------------|-------------------|
| ① SM: Straight RM: Right Angle | ② No. Of Contacts |
|-----------------------------------|-------------------|

| | |
|---------------|-------------------|
| ① HM: Housing | ② No. Of Contacts |
|---------------|-------------------|

Unit:mm