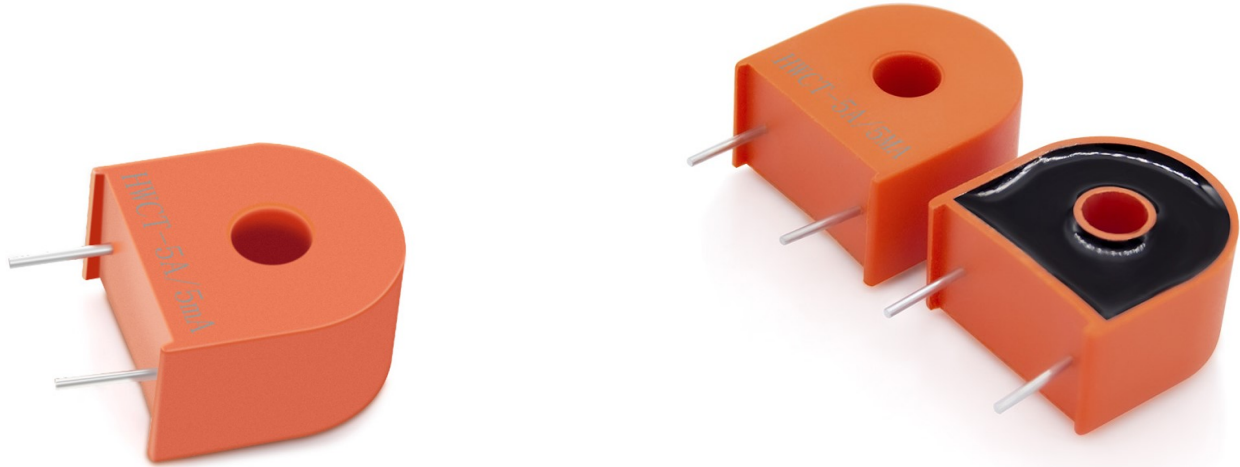


HWCT-5A(5mA)



ZDCT ultra crystal line low-voltage potting pin type high-precision AC miniature current transformer manufacturer customization

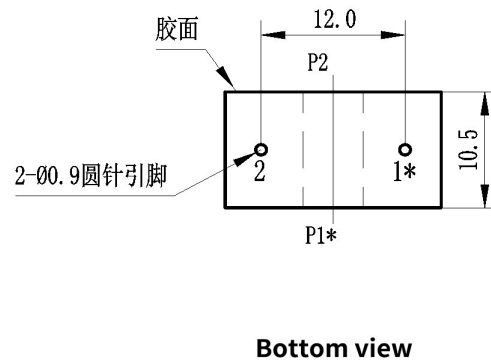
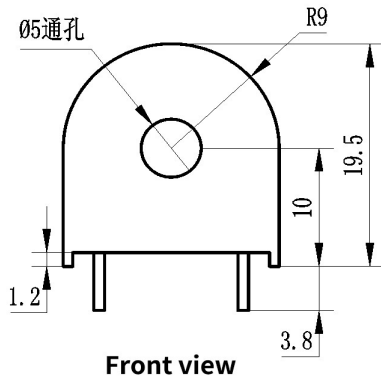
Descriptions:

This is a mini current transformer for PCB ; Fully enclosed, good mechanical properties and environmental resistance, strong voltage isolation capability, safety and reliability. Used for energy meter in special;

HWCT-5A/5mA Current transformer

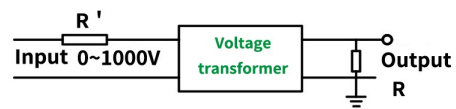
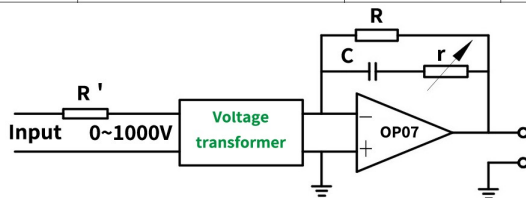
Small size, high accuracy / Non-pollution

Dimensions



Product description

Name			
HWCT-5A/5mA Current transformer			
Parameters	Parameters	Symbol	Performance index
	Turns ratio	\	1000 : 1
	Rated input current	I_n	0-5A
	Rated output current	I_o	0-5mA
	Linear range	\	0-10A
	Accuracy class	ρ	0.1%
	Altitude	\	Not more than 1000M
	Phase Shift	δ	$< 20'$
	Withstand voltage	V_d	3000V/min
	Insulation resistance	\	1000M Ω /500V/min
	Operating temperature	T_a	-25 $^{\circ}$ C~+75 $^{\circ}$ C
	Environment temperature	T_s	-40 $^{\circ}$ C~+80 $^{\circ}$ C
	Rated Frequency	f	50Hz~60Hz
	Relative humidity	\	$< 90\%$
	Shell material	\	PBT



Any parameters can be customized

Features:

This is a mini current transformer for PCB;

The diameter of inner hole is 5mm, the accuracy is ≤ 0.1 grade,

Built-in input coil; small and light, easy to install.

Fully enclosed, good mechanical properties and environmental resistance, strong voltage isolation capability, safety and reliability.

Specifications:

Model: HWCT-5A(5mA)

Environment temperature: $-40^{\circ}\text{C}\sim+85^{\circ}\text{C}$

Relative humidity: $\leq 80\%$ (40°C)

Working frequency: 50Hz~60Hz

Insulation endurance grade: B grade (130°C)

Insulation resistance: $>1000\text{M}\Omega$ normally

Dielectric strength: can afford power frequency 3000V/50Hz,1min

Flame resistance: Conform to UL94-Vo grade

Linear range: 0-10A

Measuring range: 0-5A

Ratio: 1000/1

Weight: 0.01KG/ piece

Application:

1. The current transformer is used for energy meter in special;
2. When you fix the energy meter, you don't need to cut off the power if you use this product.

Package Included:

1 x Current Transformer

Note:

1. The CT primary should be connected in series with the test current loop, the secondary should be as work in the short-circuit state.
2. The secondary circuit is not allowed open circuit, so please do not install fuse.