

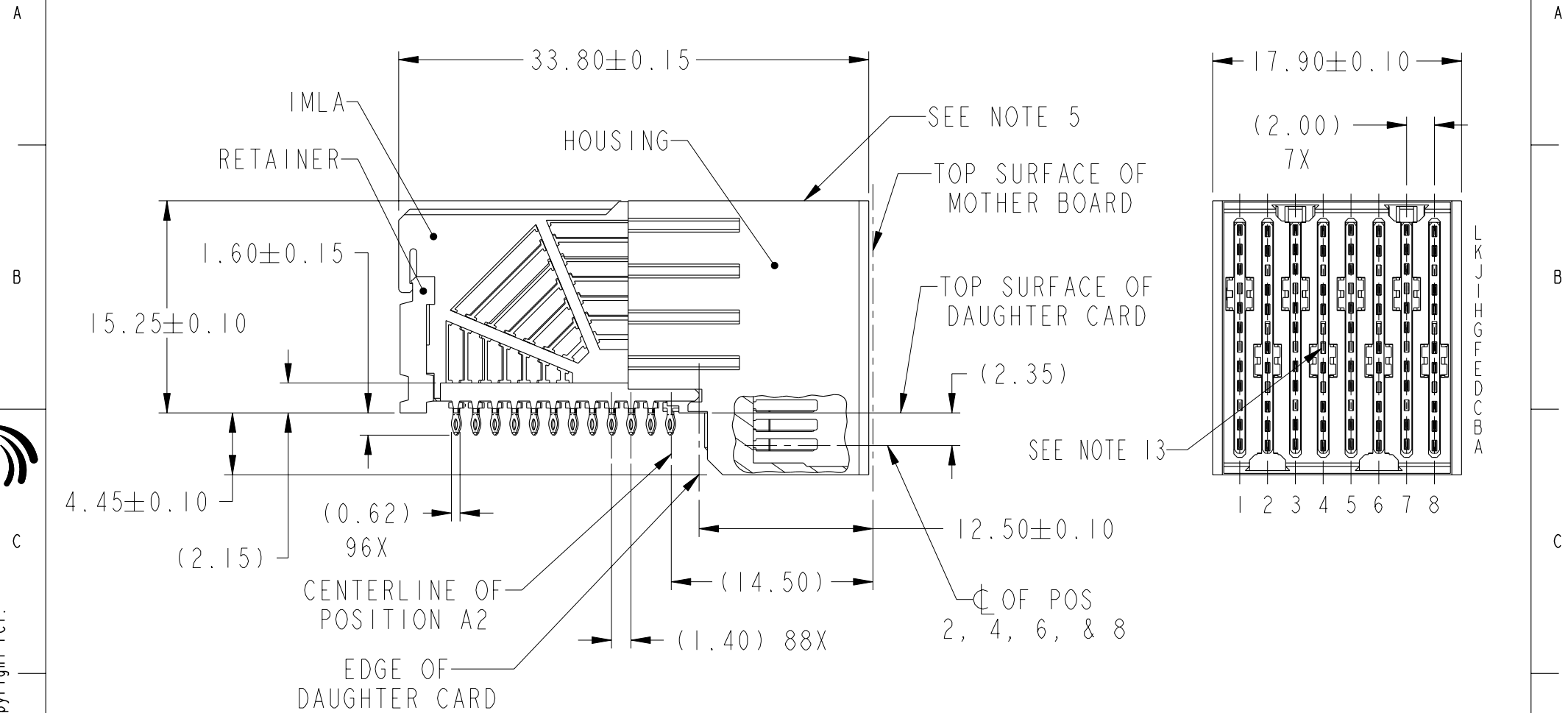
1

2

3

4

Product number  
SEE TABLE, SHT 5



Copyright FCI.

rev	ecn no	dr	date
A	S07-0103	LS	2007-04-05
B	S08-0251	CH	2008-07-31
-	-	-	-
-	-	-	-
-	-	-	-
-	-	-	-

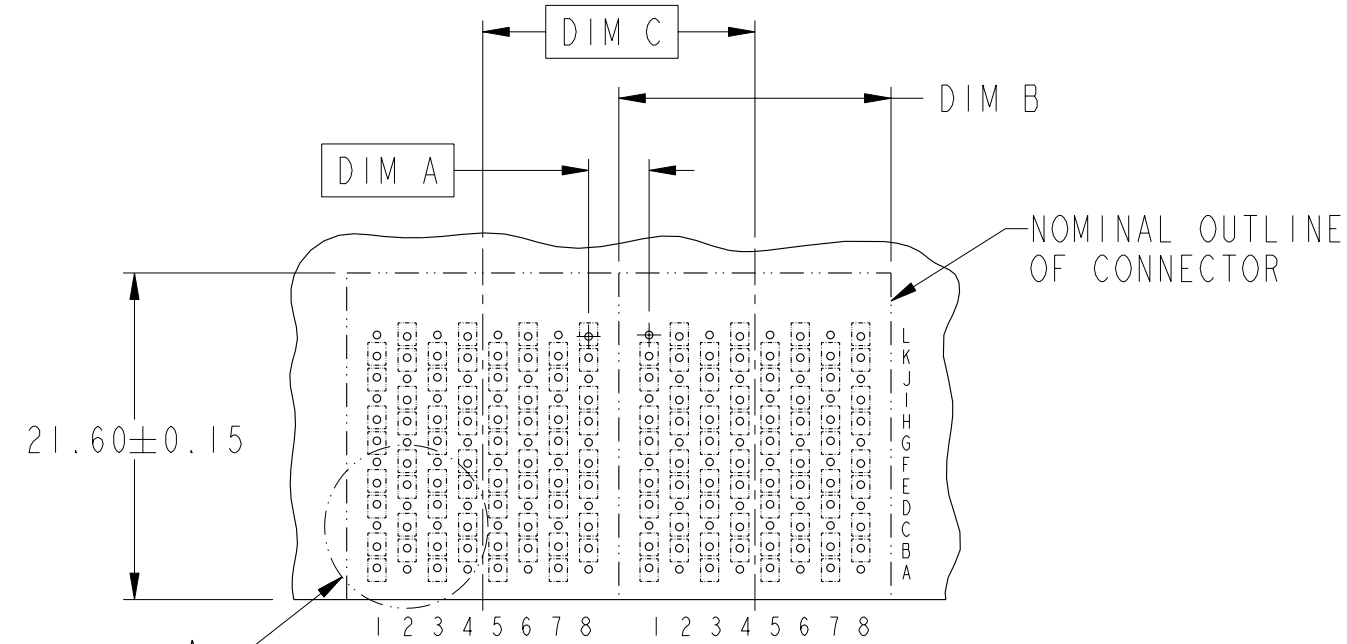
www.fciconnect.com		surface - <input checked="" type="checkbox"/> ASME Y14.5	tolerance std - <input checked="" type="checkbox"/> ASME Y14.5	projection	MM
		TOLERANCES UNLESS OTHERWISE SPECIFIED			Scale 5:2
Dr	G. HULL	2005-01-26	ANGULAR	0.X	±
Eng	B. MARSHALL	2005-01-26	LINEAR	0.XX	±
Chr	C.H TAN	2008-07-31	0° ±°	0.XXX	±
Appr	JOEY NG	2008-07-31	Product family AirMax VS		Spec ref
FCI			AirMax VS R/A HEADER ASSY		dwg no 10052838
			PRESS-FIT, 96 POS, 18MM		Rev. B
			catalog no -	CUSTOMER	sheet 1 of 5

REV F - 2006-04-17



Copyright FCI.

DESCRIPTION	DIM A	DIM B	DIM C
2-18MM MODULES PLACED END-TO-END	4.00	17.90 2X	18.00
1-16MM MODULE & 1-18MM MODULE PLACED END-TO-END	3.00	15.90 1X & 17.90 1X	17.00

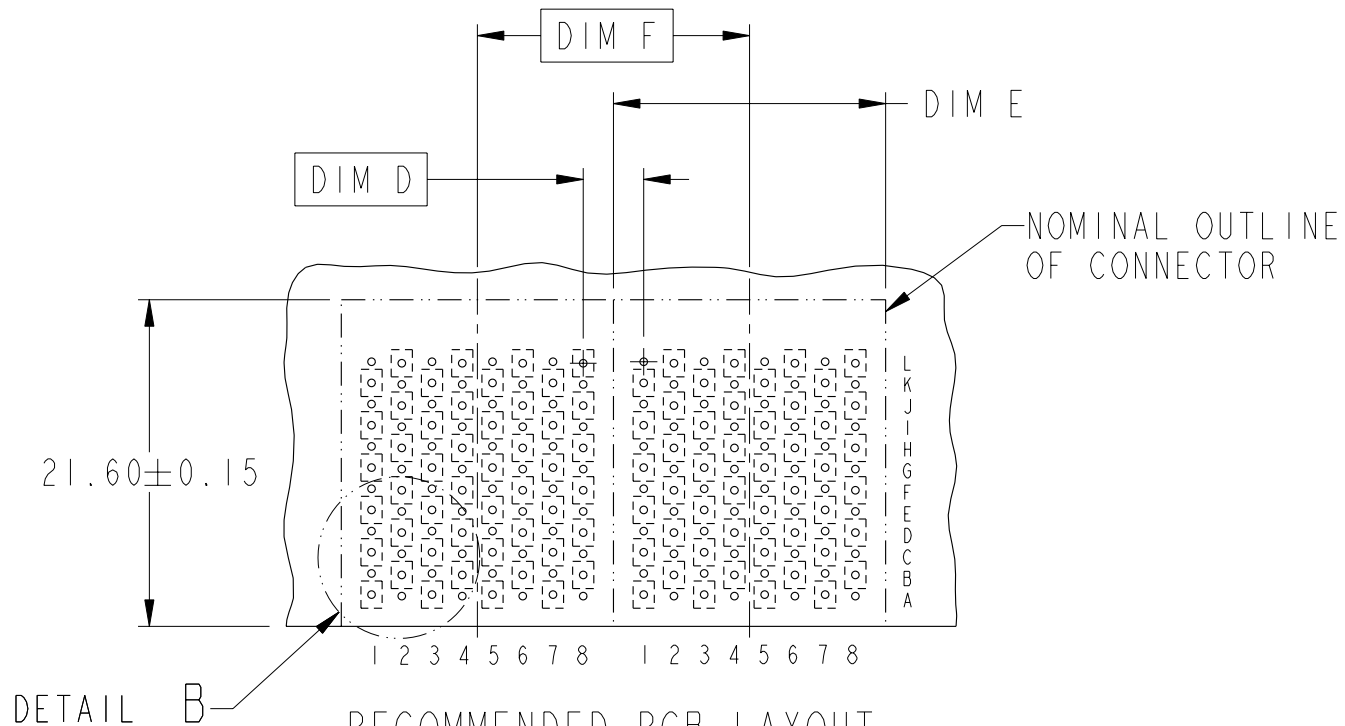


RECOMMENDED PCB LAYOUT  
FOR DIFFERENTIAL APPLICATIONS  
COMPONENT SIDE  
(TWO ADJACENT FOOTPRINTS SHOWN)  
NOTES 6 & 7



TITLE	AirMax VS R/A HEADER ASSY		dwg no	10052838	Rev.	B
	PRESS-FIT, 96 POS, 18MM					
catalog no			-	CUSTOMER	sheet 2 of 5	

DESCRIPTION	DIM D	DIM E	DIM F
2-18MM MODULES PLACED END-TO-END	4.00	17.90 2X	18.00
1-16MM MODULE & 1-18MM MODULE PLACED END-TO-END	3.00	15.90 1X & 17.90 1X	17.00



RECOMMENDED PCB LAYOUT  
FOR SINGLE ENDED APPLICATIONS  
COMPONENT SIDE  
(TWO ADJACENT FOOTPRINTS SHOWN)  
NOTES 6 & 7



title AirMax VS R/A HEADER ASSY  
PRESS-FIT, 96 POS, 18MM  
catalog no -

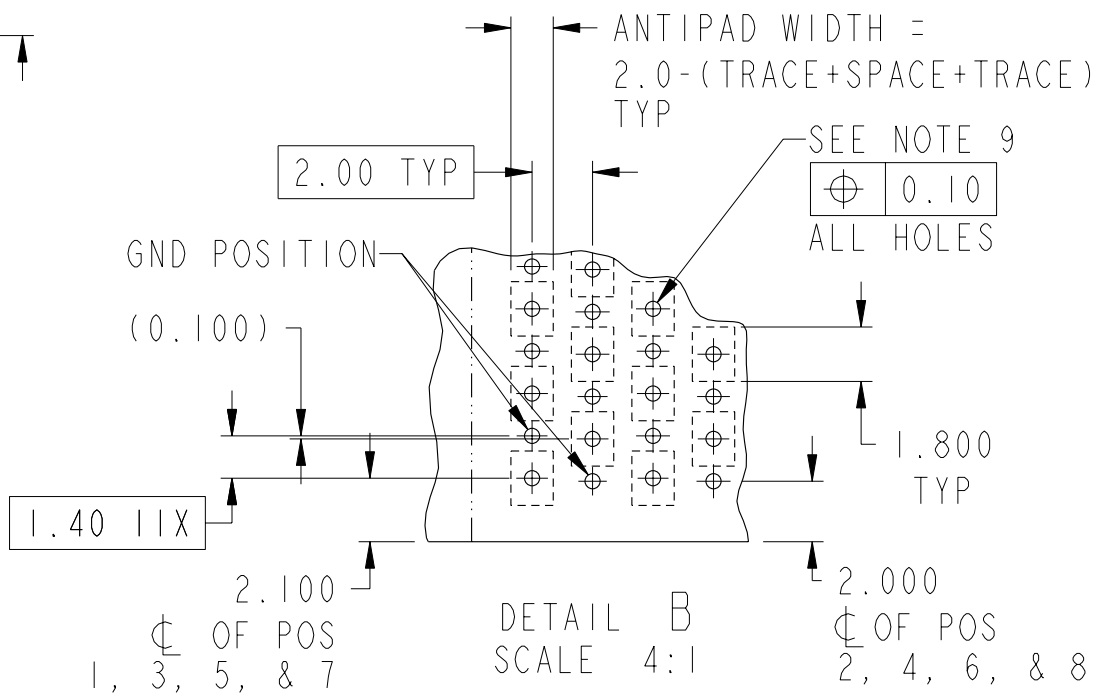
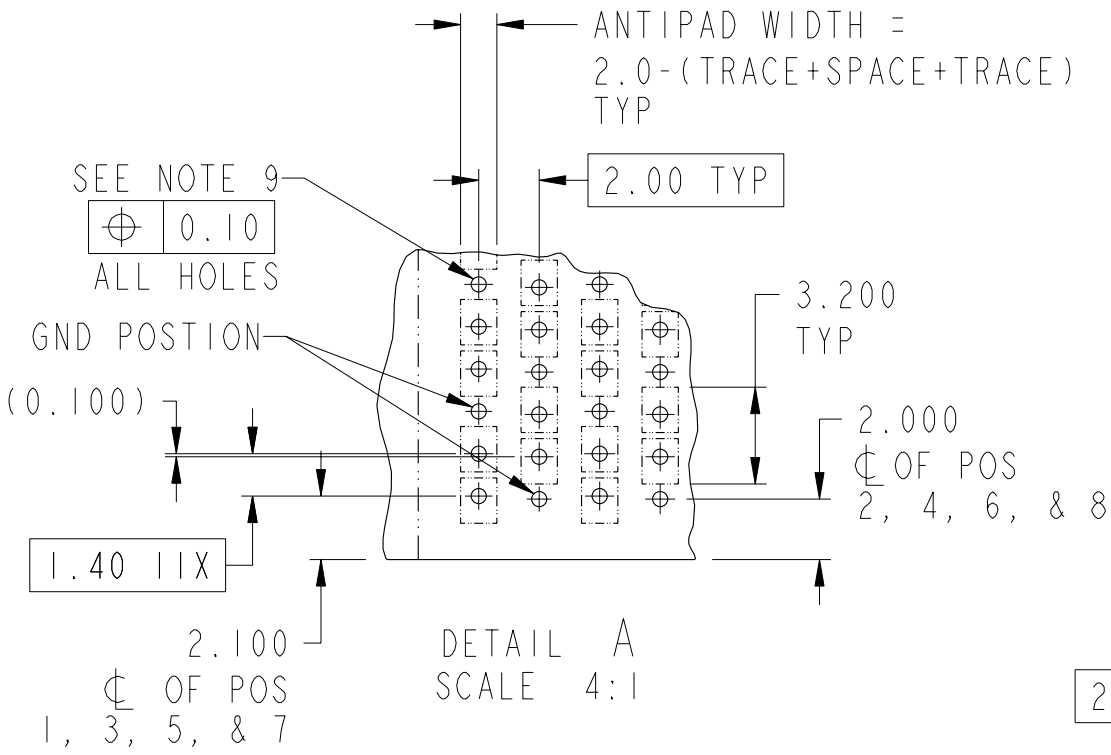
dwg no 10052838

Rev. B

CUSTOMER sheet 3 of 5



Copyright FCI.

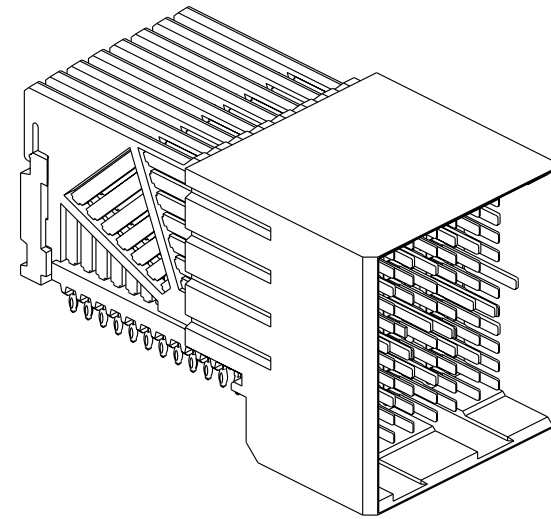


Part no AirMax VS R/A HEADER ASSY  
 PRESS-FIT, 96 POS, 18MM  
 catalog no -

dwg no 10052838  
 CUSTOMER

Rev. B  
 sheet 4 of 5

PART NUMBER	PRESS-FIT TAIL PLATING TYPE	SHORT DETECT CONTACT
10052838-101	TIN/LEAD ALLOY OVER NICKEL	NO
10052838-101LF	TIN OVER NICKEL (LEAD FREE)	
10052838-111	TIN/LEAD ALLOY OVER NICKEL	YES (SEE NOTE 13)
10052838-111LF	TIN OVER NICKEL (LEAD FREE)	



NOTES:

1. CONNECTOR MATERIALS:  
HOUSING & RETAINER: HIGH TEMP THERMOPLASTIC, NATURAL, UL94V-0  
IMLA PLASTIC: HIGH TEMP THERMOPLASTIC, BLACK, UL94V-0  
CONTACT: COPPER ALLOY

2. CONTACT PLATING:  
SEPARABLE INTERFACE:  
PERFORMANCE-BASED PLATING, QUALIFIED TO MEET THE REQUIREMENTS OF FCI PRODUCT SPECIFICATION GS-12-239, INCLUDING TELCORDIA GR-1217-CORE (NOVEMBER 1995) CENTRAL OFFICE.  
PRESS-FIT TAILS: SEE TABLE

3. PRODUCT SPECIFICATION: GS-12-239

4. APPLICATION SPECIFICATION: GS-20-035

5. PRODUCT MARKING, (PART NUMBER & LOT CODE), ON THIS SURFACE

6. REFER TO CUSTOMER DRAWING 10035911 FOR INFORMATION REGARDING PCB LAYOUT OF POWER AND GUIDE MODULES RELATIVE TO SIGNAL MODULES

7. POSITIONS F OF ODD NUMBERED COLUMNS AND POSITIONS G OF EVEN NUMBERED COLUMNS CORRESPOND TO EARLY MATE HEADER PINS

8. THERE IS NO GROUND BUSSING WITHIN THE CONNECTOR SYSTEM

9. REFER TO CUSTOMER DRAWING 10045979 FOR INFORMATION ON PCB HOLE DIAMETERS AND PLATING OPTIONS.

10. THIS PRODUCT MEETS EUROPEAN UNION DIRECTIVES AND OTHER COUNTRY REGULATIONS AS DESCRIBED IN GS-22-008.

11. THE HOUSING WILL WITHSTAND EXPOSURE TO 260°C PEAK TEMPERATURE FOR 40 SECONDS IN A CONVECTION, INFRA-RED OR VAPOR PHASE REFLOW OVEN.

12. PACKAGING MEETS GS-14-920 LEAD FREE LABELING SPECIFICATION.

13. MATING PIN F4 IS SHORTER THAN ALL REMAINING SIGNAL PINS. NOMINAL MATING WIPE FOR PIN F4 IS 0.5MM LESS THAN ALL REMAINING SIGNAL PINS.

14. A  $\triangle B$  SYMBOL WILL BE NEXT TO ANY DIMENSION, VIEW, OR NOTE WHICH HAS BEEN MODIFIED WITH THE CURRENT DRAWING REVISION.

FCI	title	AirMax VS R/A HEADER ASSY	dwg no	10052838	Rev.	B
	catalog no	PRESS-FIT, 96 POS, 18MM	-	CUSTOMER	sheet 5 of 5	

# Mouser Electronics

Authorized Distributor

Click to View Pricing, Inventory, Delivery & Lifecycle Information:

[FCI / Amphenol:](#)

[10052838-101LF](#)