

FZH201

Country: Germany
Brand: [Siemens; D \(S.& Halske / S. Electrogeräte\)](#)

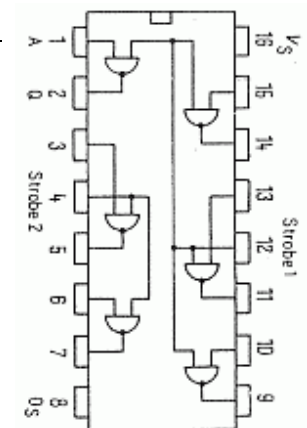
Tube type: IC - Integrated Circuit Universal

Identical to: FZH201

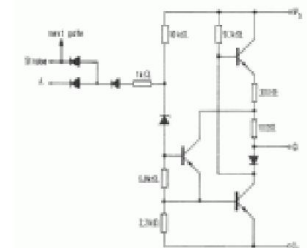


FZH201
Karlheinz Fischer

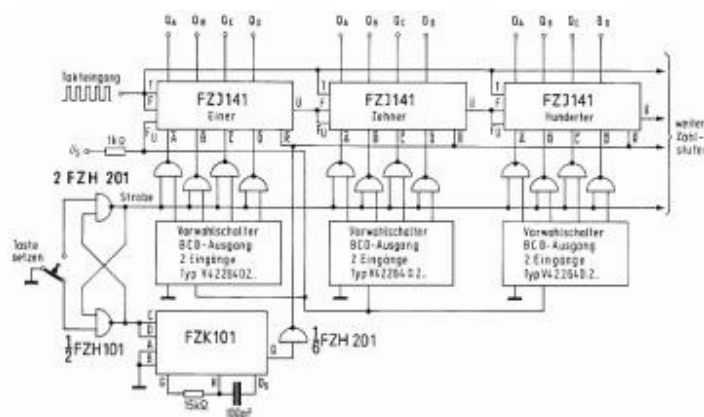
- Base** SPECIAL TUBEBASE in general
- Filament** Solid State
- Description** **Aufbau:** IC (4x: 3 Trans., 5 Dioden, 6 Widerst.);
Form: DIP-16;
Typ: LSL (Langsame Störsichere Logik, Variante von DTL (Diode-Transistor-Logik): hex inverter with strobe inputs;
Daten: Ub: 12 V, T op: 0...70 °C;
Variante: FZH201/4 (Valvo); ähnlich/similar: FZH205 = -25...+85 °C -
- Dimensions (WHD)** 20 x 7 x 8 mm / 0.79 x 0.28 x 0.31 inch
- incl. pins / tip**
- Weight** 1 g / 0.04 oz
- Literature** --- Pro Electron Datenbuch IS 1975



FZH201: Pro Electron 1975
Günther Stabe



FZH201: Pro Electron 1975
Günther Stabe



FZH201: Siemens: synchr.dekad.Zähler f.3 Dekaden
Günther Stabe