

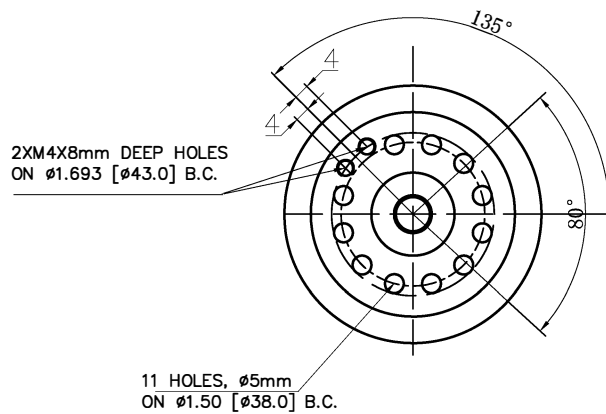
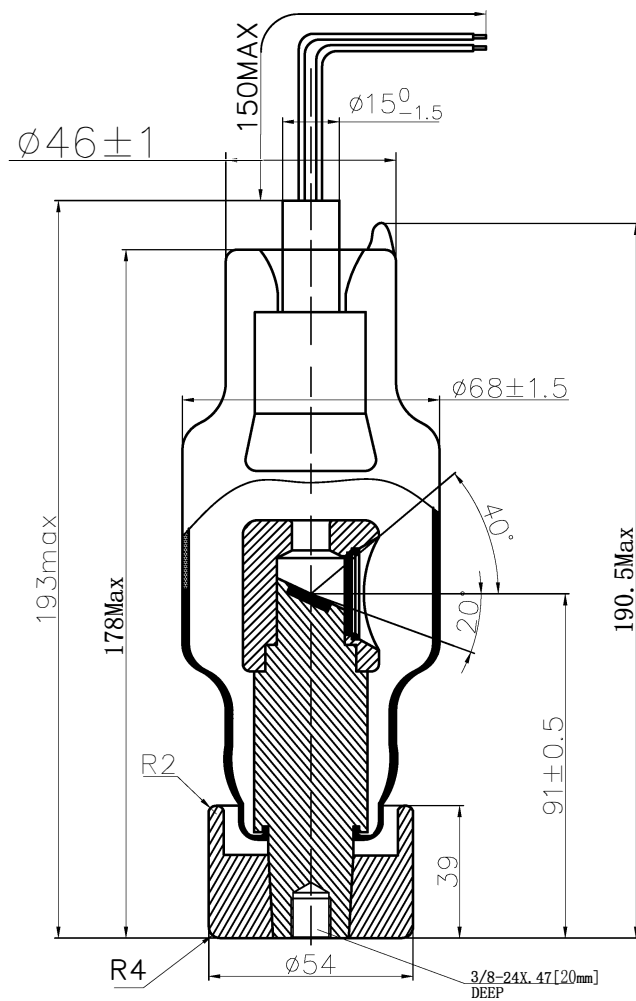
Industrial X-Ray Tube

HBJ160

Technical data

<i>Property</i>	<i>Specification</i>	<i>Standard</i>
<i>Type</i>	<i>HBJ160</i>	
<i>Nominal x-ray tube voltage</i>	<i>160kv</i>	<i>IEC60613-2010</i>
<i>Operating tube voltage</i>	<i>50-160kv</i>	
<i>Max tube current</i>	<i>2mA</i>	
<i>Max anode input power</i>	<i>320W</i>	
<i>Max filament current</i>	<i>3.7A</i>	
<i>Filament voltage</i>	<i>3.5±0.2V</i>	
<i>Focal spot size</i>	<i>0.8mm</i>	<i>EN12543-2-1999</i>
<i>Inherent filtration</i>	<i>0.8mmBe 1.5-2.0mm glass</i>	
<i>Target material</i>	<i>Tungsten</i>	
<i>Beam angle vertical</i>	<i>60°</i>	<i>IEC/TR 60788-2004</i>
<i>Beam angle horizontal</i>	<i>80°</i>	
<i>Cooling method</i>	<i>Oil immersed(70°C Max.)and convection oil cooling</i>	
<i>Weight</i>	<i>1100 g</i>	

<i>Limits</i>	<i>Operation Limits</i>	<i>Transport and Storage Limits</i>
<i>Ambient temperature</i>	<i>From 10°C to 70°C</i>	<i>From -40°C to 70°C</i>
<i>Relative humidity</i>	<i>/</i>	<i>From 10% to 90%</i>
<i>Barometric pressure</i>	<i>From 70kPa to 106kPa</i>	<i>From 50kPa to 106kPa</i>



Property	Specification
Type	HBJ160
Nominal x-ray tube voltage	160kv