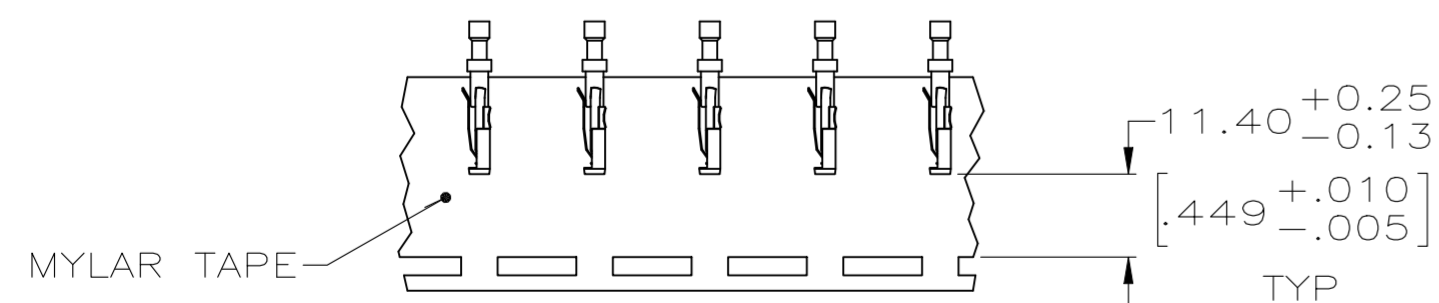
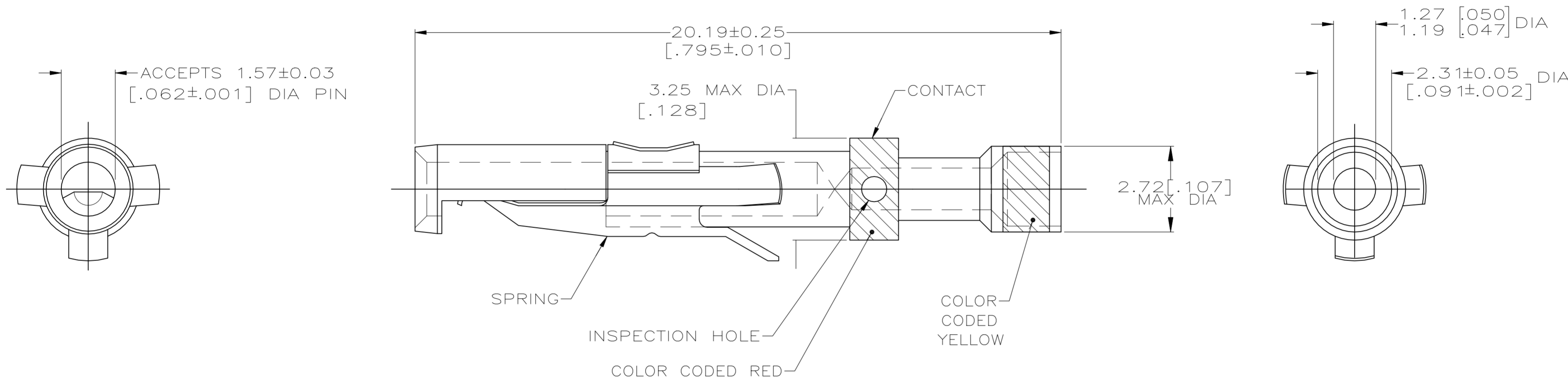


REVISIONS					
P	LTR	DESCRIPTION	DATE	DWN	APVD
	AG	ECO-21-006909	17SEP2021	RK	ZM

WHEN ORDERING CONTACT ASSEMBLY ON TAPE, ORDER BY THE TAPE NUMBER PLUS THE PACKAGING CODE AS FOLLOWS:

1. FOR USE WITH AMP TAPETRONIC, PNEUMATIC TOOL-  
A. 1000 PARTS TO A BOX ADD PACKAGING CODE: 1MBOX
2. FOR USE WITH 4/8 INDENT STRIPPER CRIMPER-  
A. 1000 PARTS TO A REEL ADD PACKAGING CODE: 1MREEL  
B. 5000 PARTS TO A REEL ADD PACKAGING CODE: 5MREEL



TAPE MTG DETAIL  
SCALE 1:1

OBSOLETE	SMALL PACK KIT	1-201328-5 1-201328-4
OBSOLETE	TAPE MTG SEE DETAIL	201328-9
	BULK PACKAGING	201328-1 PART NO

THIS DRAWING IS A CONTROLLED DOCUMENT.		DWN W.G.LENKER 5-9-91	<b>TE</b> TE Connectivity	
DIMENSIONS: mm [INCHES]		CHK R.STONE 5-14-91		
TOLERANCES UNLESS OTHERWISE SPECIFIED:		APVD R.WALTER 5-14-91	NAME SOCKET CONTACT ASSEMBLY, TYPE II	
0 PLC ± - 1 PLC ± - 2 PLC ± - 3 PLC ± - 4 PLC ± - ANGLES ± -		PRODUCT SPEC -	-	
MATERIAL -		FINISH -	WEIGHT -	SIZE A2
			CAGE CODE 00779	DRAWING NO C=201328
			RESTRICTED TO -	
			SCALE 10:1	SHEET 1 of 1
			REV AG	

# Mouser Electronics

Authorized Distributor

Click to View Pricing, Inventory, Delivery & Lifecycle Information:

[TE Connectivity:](#)

[201328-1](#)