

Remote Control Decoder IC**PT2604**

DESCRIPTION

PT2604 is a tri-state remote control decoder IC utilizing CMOS Technology. It provides 10 address pins and 4 data pins. Code Format Compatible with HT604L, PT2604 is housed in 20 pins, DIP or SO Package and supports the Latch Data Output Type. It may be paired with PT2607 to provide a powerful high performance remote control system. Pin assignments and application circuit are optimized for easy PCB Layout and cost saving advantage.

FEATURES

- CMOS Technology
- Low Power Consumption
- Low Standby Current
- Operating Voltage: 3 to 15 Volts
- Provides 10 Address Pins & 4 Data Pins
- Built-in Oscillator
- Latch Data Output Type
- Least External Components
- Easy to Use
- Available in 20 pins, SO or DIP Package
- May be paired with PT2607

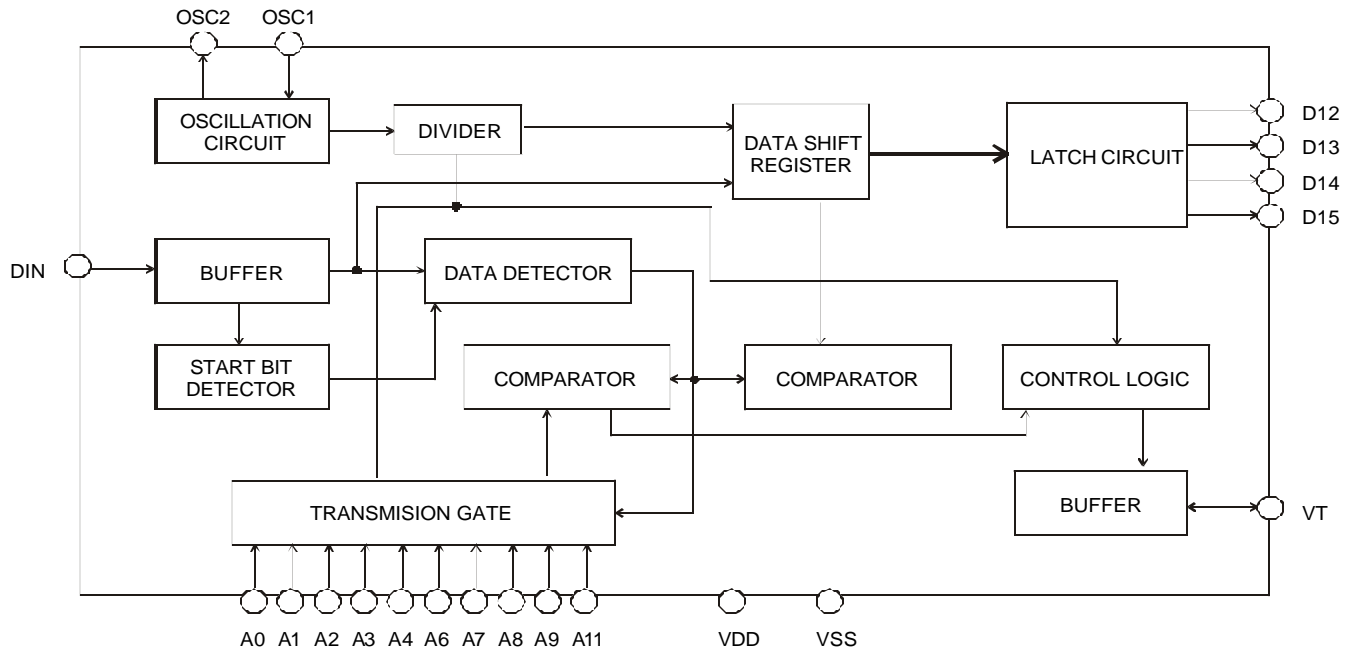
APPLICATIONS

- Car/Motorcycle Security System
- Home/Office Security System
- Garage Door Remote Controller
- Personal Alarm System
- Cordless Telephone
- Remote Control for Industrial Use
- Remote Switch

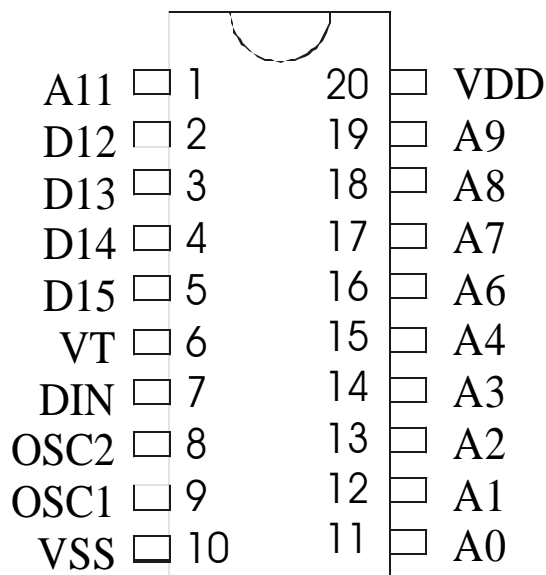
Remote Control Decoder IC

PT2604

BLOCK DIAGRAM



PIN CONFIGURATION

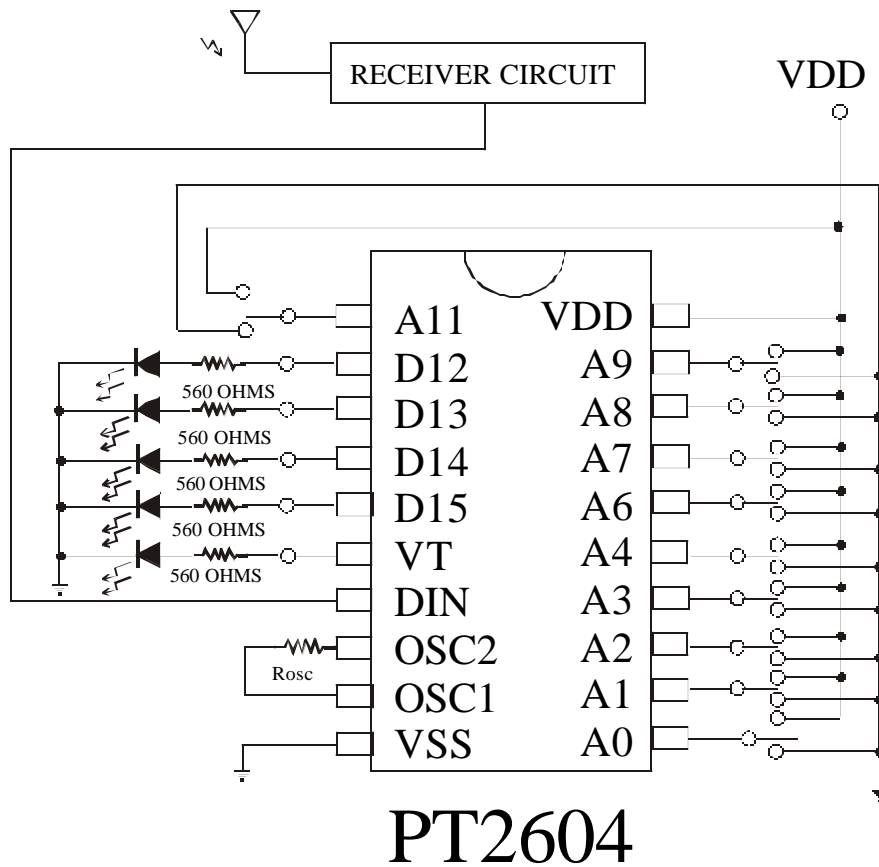


PT2604

Remote Control Decoder IC

PT2604

APPLICATION CIRCUIT



ORDER INFORMATION

Order Part Number	Package Type	Top Code
PT2604	20 Pins, DIP Package	PT2604
PT2604-S	20 Pins, SOP Package	PT2604-S

Remote Control Decoder IC**PT2604**

DESCRIPTION

PT2604 is a tri-state remote control decoder IC utilizing CMOS Technology. It provides 10 address pins and 4 data pins. Code Format Compatible with HT604L, PT2604 is housed in 20 pins, DIP or SO Package and supports the Latch Data Output Type. It may be paired with PT2607 to provide a powerful high performance remote control system. Pin assignments and application circuit are optimized for easy PCB Layout and cost saving advantage.

FEATURES

- CMOS Technology
- Low Power Consumption
- Low Standby Current
- Operating Voltage: 3 to 15 Volts
- Provides 10 Address Pins & 4 Data Pins
- Built-in Oscillator
- Latch Data Output Type
- Least External Components
- Easy to Use
- Available in 20 pins, SO or DIP Package
- May be paired with PT2607

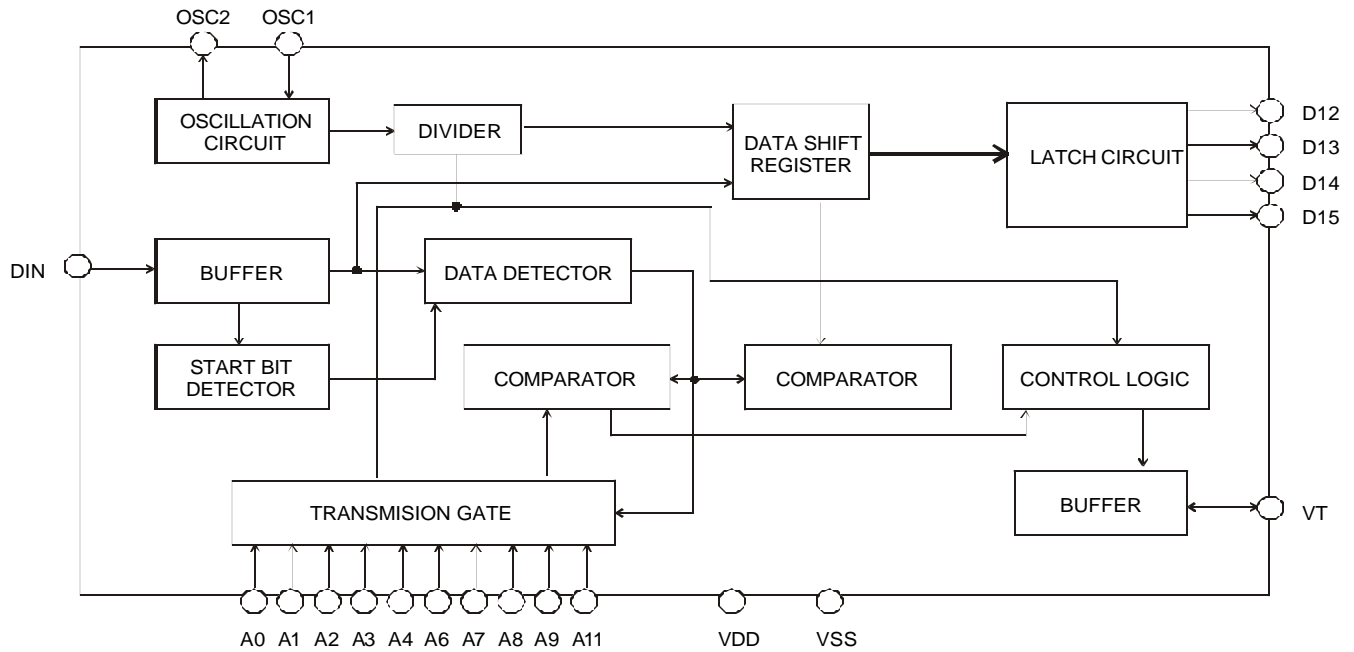
APPLICATIONS

- Car/Motorcycle Security System
- Home/Office Security System
- Garage Door Remote Controller
- Personal Alarm System
- Cordless Telephone
- Remote Control for Industrial Use
- Remote Switch

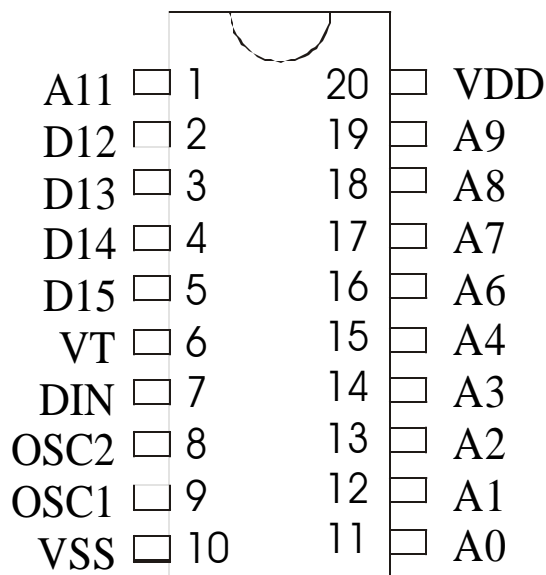
Remote Control Decoder IC

PT2604

BLOCK DIAGRAM



PIN CONFIGURATION

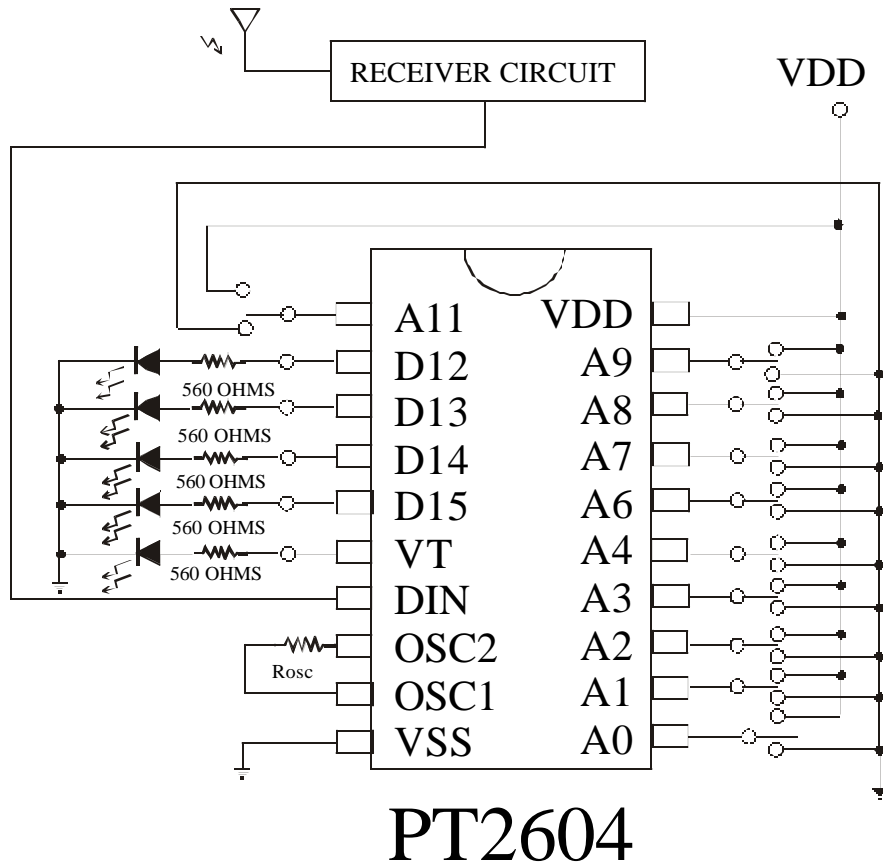


PT2604

Remote Control Decoder IC

PT2604

APPLICATION CIRCUIT



ORDER INFORMATION

Order Part Number	Package Type	Top Code
PT2604	20 Pins, DIP Package	PT2604
PT2604-S	20 Pins, SOP Package	PT2604-S