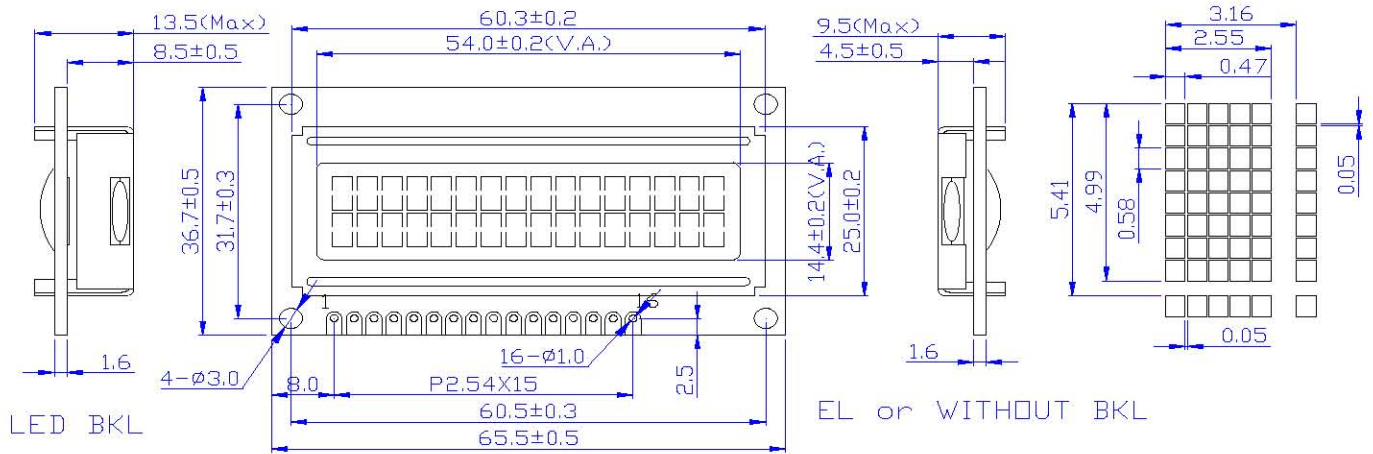
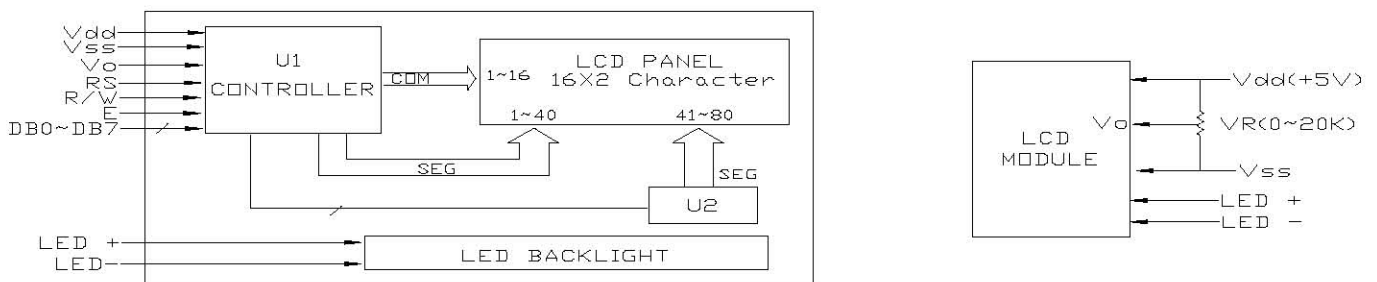


◆ OUTLINE DIMENSION



◆ BLOCK DIAGRAM & POWER SUPPLY



◆ MECHANICAL SPEC. & FEATURES

Item	Dimension(mm)	Features	
Module Size(W×H×T)	65.5×36.7×9.5/13.5	LC Fluid	STN (Yellow-green, Gray, Blue), FSTN
Viewing Area(W×H)	54.0×14.4	Polarizer	Reflective, Transflective, Transmissive
Dot Size(W×H)	0.47×0.58	View Angle	6:00 o'clock or 12:00 o'clock
Dot Pitch(W×H)	0.52×0.63	Display Type	Positive or Negative
Character Size(W×H)	2.55×4.99	Backlight	LED (Optional)
Character Pitch(W×H)	3.16×5.41	Operating Temp.	0°C~50°C or -20°C~70°C
		Controller	S6A0069 or Equivalent

◆ INTERFACE PIN CONNECTIONS

Pin No.	Symbol	Function	Pin No.	Symbol	Function
1	Vss	Ground for logic	6	E	Enable signal
2	Vdd	Power supply for logic	7~14	DB0~DB7	Data bus lines
3	Vo	Power supply for LCD	15	A	BKL +
4	RS	Register selection (H:Data, L:Instruction)	16	K	BKL -
5	R/W	Read/Write selection (H: R, L: W)			

◆ ELECTRICAL CHARACTERISTICS

Item	Symbol	Test Condition	Min.	Typ.	Max.	Unit
Operating Voltage	Vdd	Ta=25°C	---	5.0	---	V
Operating Voltage for LCD	Vled	Ta=25°C	---	4.5	---	V
Supply Current	Idd	Ta=25°C, Vdd=5.0V	---	2.0	3.0	mA
Supply Voltage for LED	Vf	Ta=25°C, R=6.8Ω	---	4.2	---	V
Supply Current for LED	If	Ta=25°C, Vf=4.2V	---	100	---	mA