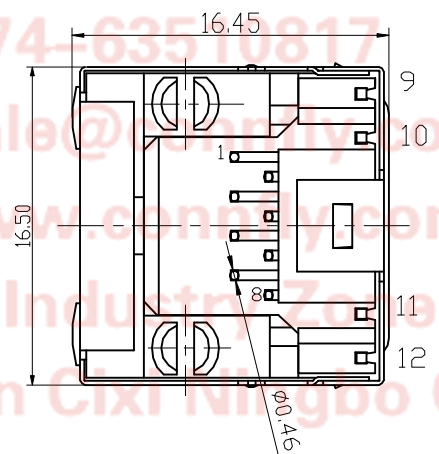
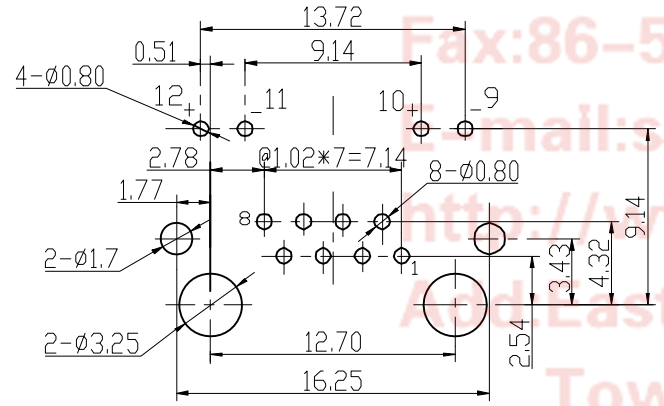
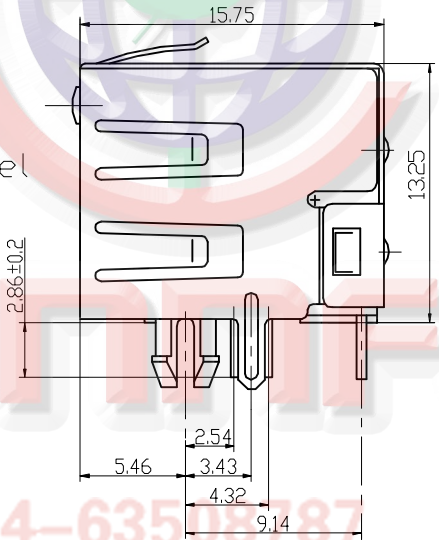
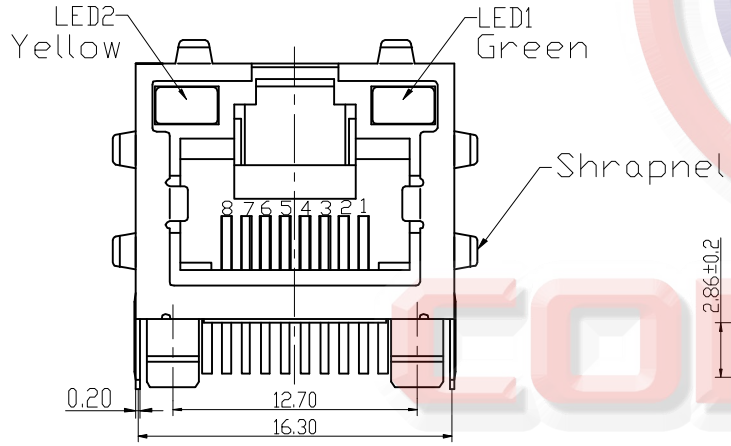


REV.	DESCRIPTION	DRAWN	CHECKED	APPROVED
A	NEW RELEASE	JLZ 10/28/16'	~	



NOTES:

- ELECTRICAL CHARACTERISTICS:
  - CONTACT RESISTANCE: 20mΩ Max.
  - DIELECTRIC WITHSTANDING VOLTAGE: 500V AC(rms) FOR 1 MINUTE.
  - INSULATION RESISTANCE: 1000MΩ Min.
  - VOLTAGE RATING: 125V.
  - CURRENT RATING: 1.5A.
- ENVIRONMENT CHARACTERISTICS:
  - TEMPERATURE: -40°C~+85°C.
- MATERIALS
  - CONTACT MATERIAL: COPPER ALLOY.
  - CONTACT PLATING: NICKEL OVER GOLD FLASH.
  - INSULATOR MATERIALS: PBT BLACK.
- PRODUCT NUMBER CODE:

DS1128-09-X X X X X


- Shell Type
- X:W/O Shrapnel
- S:W/ Shrapnel
- Contact Plating
- 8:Gold Flash
- Housing Color
- B:Black
- No.Of Contacts
- 8:8p8c
- Connector Type
- S:Socket
- Series No.
- DS1128-09

PCB LAYOUT THICKNESS=1.6mm

GENERAL TOLERANCE		ANGLE TOLERANCE	
X.	±0.60	X.	±5°
.X	±0.38	.X	±3°
.XX	±0.25	.XX	±2°

DRAWING TYPE	CUSTOMER		
SCALE	1:1	SHEET	1 OF 1
DRAWING NO.	C-DS1128-09-XXXXX-A		

PROJECTION	TITLE
UNITS	PCB JACK 8P 1PORT WITH LED
SHEET SIZE	SERIES DS1128-09 SERIES

 晨翔电子有限公司  
CONNFLY CONNFLY ELECTRONIC CO. LTD

Tel:86-574-63508187  
Fax:86-574-63510817  
E-mail:sales@connfly.com  
http://www.connfly.com  
Apd East Industrial Zone KuangYan  
Town Cixi Ningbo China  
P.C:315335