

Low-Noise Step-Up Current Mode PWM Converter



General Description

The FP6290H is a current mode boost DC-DC converter. Its PWM circuitry with built-in 0.15Ω power MOSFET makes this converter highly power efficiently. Selectable high switching frequency allows faster loop response and easy filtering with a low noise output. The non-inverting input its error amplifier is connected to an internal 1.24V precision reference voltage. Soft-Start time can be programmed with an external capacitor, which sets the input current ramp rate. Current mode control and external compensation network make it easy and flexible to stabilize the system.

The FP6290H is available in the SOP-8L (EP) and DFN-8L package. Combined with low ESR capacitors, it reduced PCB space for step-up applications.

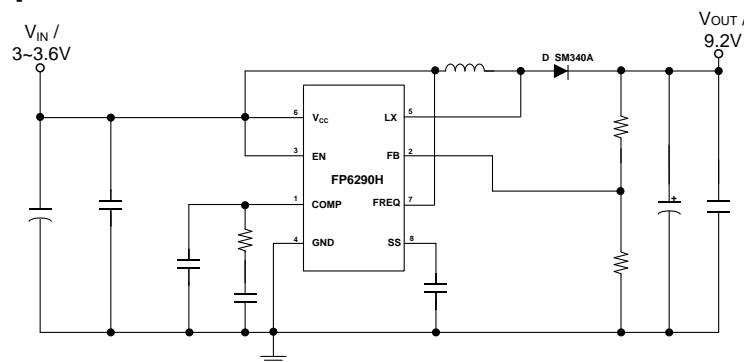
Features

- Adjustable Output from V_{CC} to 12V
- Internal Fixed PWM Frequency: 640KHz / 1.2MHz
- Frequency Selection Pin
- Precision Feedback Reference Voltage: 1.24V
- Internal 0.15Ω, 3A, 14V Power MOSFET
- External Programmable Soft-Start Function (SS)
- Shutdown Current : 0.1μA
- Over Current Protection
- Package: SOP-8L (EP), DFN-8L

Applications

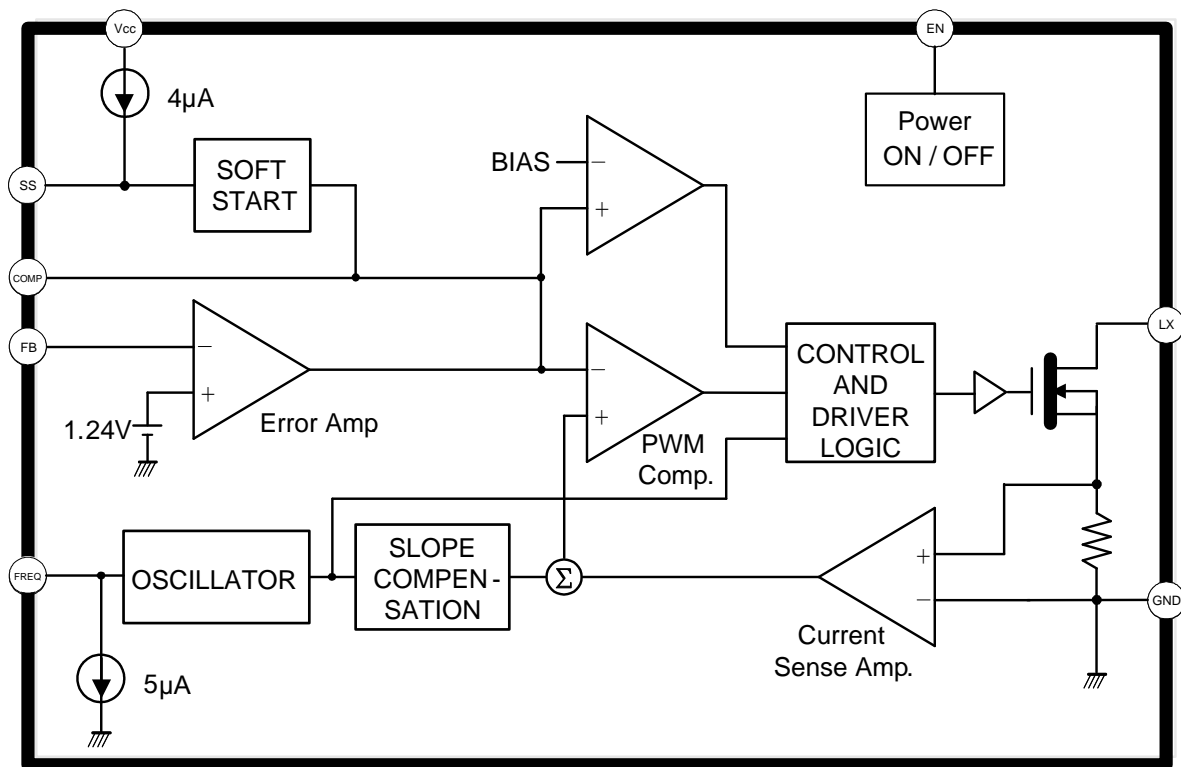
- LCD Displays
- Digital Cameras
- Handheld Devices
- Portable Products

Typical Application Circuit



This datasheet contains new product information. Feeling Technology reserves the rights to modify the product specification without notice. No liability is assumed as a result of the use of this product. No rights under any patent accompany the sales of the product.

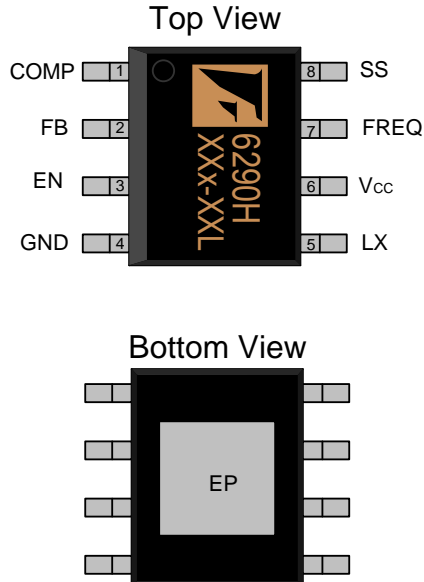
Function Block Diagram



This datasheet contains new product information. Feeling Technology reserves the rights to modify the product specification without notice. No liability is assumed as a result of the use of this product. No rights under any patent accompany the sales of the product.

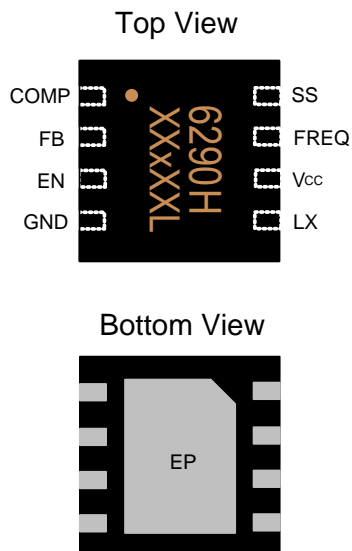
Pin Descriptions

SOP-8L (EP)



| Name | No. | I / O | Description |
|-----------------|-----|-------|-------------------------------------|
| COMP | 1 | O | Error Amplifier Compensation Output |
| FB | 2 | I | Error Amplifier Inverting Input |
| EN | 3 | I | Enable Control |
| GND | 4 | P | IC Ground |
| LX | 5 | O | Switch Output |
| V _{CC} | 6 | P | IC Power Supply |
| FREQ | 7 | O | Frequency Selection |
| SS | 8 | I | Soft-Start Control |
| EP | 9 | P | Exposed PAD. Must connect to GND |

DFN-8L

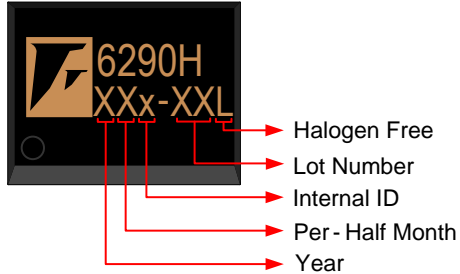


| Name | No. | I / O | Description |
|-----------------|-----|-------|-------------------------------------|
| COMP | 1 | O | Error Amplifier Compensation Output |
| FB | 2 | I | Error Amplifier Inverting Input |
| EN | 3 | I | Enable Control |
| GND | 4 | P | IC Ground |
| LX | 5 | O | Switch Output |
| V _{CC} | 6 | P | IC Power Supply |
| FREQ | 7 | O | Frequency Selection |
| SS | 8 | I | Soft-Start Control |
| EP | 9 | P | Exposed PAD. Must connect to GND |

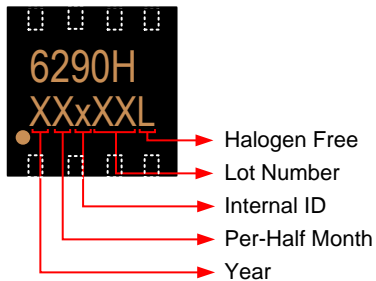
This datasheet contains new product information. Feeling Technology reserves the rights to modify the product specification without notice. No liability is assumed as a result of the use of this product. No rights under any patent accompany the sales of the product.

Marking Information

SOP-8L (EP)



DFN-8L



Halogen Free: Halogen free product indicator

Lot Number: Wafer lot number's last two digits

For Example → Lot : 123456 → XXx-56L

Internal ID: Internal Identification Code

Per-Half Month: Production period indicator in half month time unit

For Example : A → First Half Month of January

B → Second Half Month of January

C → First Half Month of February

D → Second Half Month of February

Year: Production year's last digit

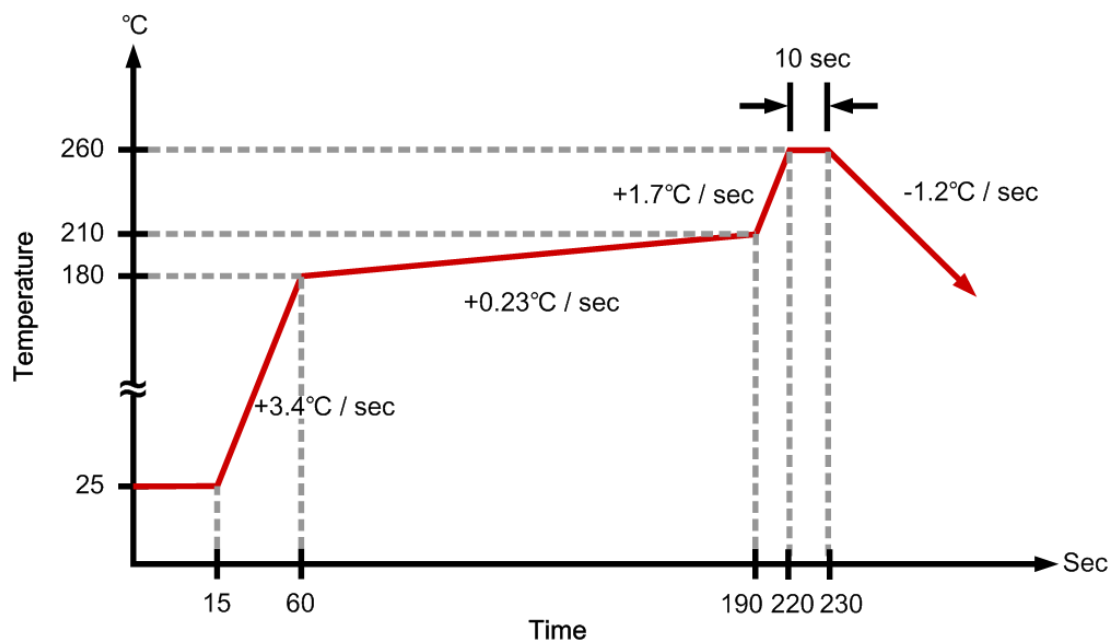
Ordering Information

| Part Number | Operating Temperature | Package | MOQ | Description |
|--------------|-----------------------|-------------|--------|-------------|
| FP6290HXR-G1 | -40°C ~ +85°C | SOP-8L (EP) | 2500EA | Tape & Reel |
| FP6290HdR-G1 | -40°C ~ +85°C | DFN-8L | 2500EA | Tape & Reel |

Absolute Maximum Ratings

| Parameter | Symbol | Conditions | Min. | Typ. | Max. | Unit |
|----------------------|---------------|---------------------|------|------|--------------|--------|
| Supply Voltage | V_{CC} | | | | 6 | V |
| LX to GND | | | -0.3 | | 14 | V |
| SS,COMP to GND | | | -0.3 | | $V_{CC}+0.3$ | V |
| EN,FREQ,FB to GND | | | -0.3 | | V_{CC} | V |
| Junction Temperature | T_J | | | | +150 | °C |
| Storage Temperature | T_S | | -65 | | +150 | °C |
| Thermal Resistance | θ_{JA} | SOP-8L (EP) | | | +60 | °C / W |
| | θ_{JC} | | | | +4 | °C / W |
| | θ_{JA} | DFN-8L | | | +68 | °C / W |
| | θ_{JC} | | | | +4.2 | °C / W |
| Lead Temperature | | (soldering, 10 sec) | | | +260 | °C |

Suggested IR Re-flow Soldering Curve



This datasheet contains new product information. Feeling Technology reserves the rights to modify the product specification without notice. No liability is assumed as a result of the use of this product. No rights under any patent accompany the sales of the product.

Recommended Operating Conditions

| Parameter | Symbol | Conditions | Min. | Typ. | Max. | Unit |
|-----------------------|----------|------------|------|------|------|------|
| Supply Voltage | V_{IN} | | 2.6 | | 5.5 | V |
| Operating Temperature | | | -40 | | +85 | °C |

DC Electrical Characteristics ($V_{IN}=3V$, $T_A=25^{\circ}C$, $V_{FREQ}=0V$, unless otherwise noted)

| Parameter | Symbol | Test Conditions | Min. | Typ. | Max. | Unit |
|--|----------------------------|-------------------------------------|-------|-------|-------|-------------|
| Reference Section | | | | | | |
| Output Voltage | V_{REF} | COMP connected to FB | 1.222 | 1.240 | 1.258 | V |
| Line Regulation | $\Delta V_{REF} / V_{REF}$ | $V_{CC}=2.6V \sim 5.5V$ | | 0.05 | | % / V |
| Output Voltage Change with Temperature | | $T_A=-40^{\circ}C$ to $25^{\circ}C$ | | 1 | | % |
| | | $T_A=25^{\circ}C$ to $85^{\circ}C$ | | 1 | | % |
| Under Voltage Lockout Section | | | | | | |
| Upper Threshold Voltage (V_{CC}) | V_{UPPER} | $T_A=25^{\circ}C$ | | 2.38 | 2.53 | V |
| Lower Threshold Voltage (V_{CC}) | V_{LOW} | | | 2.33 | 2.48 | V |
| Hysteresis (V_{CC}) | V_{HYS} | | | 50 | | mV |
| Soft-Start Section | | | | | | |
| Reset Switch Resistance | R_{SS} | | | | 100 | Ω |
| Input Source Current | I_{SS} | $V_{SS}=1.2V$ | 1.5 | 4.0 | 7.0 | μA |
| Oscillator Section | | | | | | |
| Frequency | f_{osc} | FREQ=GND | 540 | 640 | 740 | KHz |
| | | FREQ= V_{CC} | 1.00 | 1.22 | 1.50 | MHz |
| Frequency Change with Voltage | $\Delta f / \Delta V$ | $V_{CC}=2.6V$ to $5.5V$ | | 2 | | % / V |
| Frequency Change with Temperature | $\Delta f / \Delta V$ | $T_A=-40^{\circ}C$ to $85^{\circ}C$ | | 10 | | % |
| Maximum Duty Cycle | T_{DUTY} | FREQ=GND | 79 | 88 | | % |
| | | FREQ= V_{CC} | | 88 | | % |
| Error-Amplifier Section | | | | | | |
| FB Input Bias Current | I_{BIAS} | $V_{FB}=1.24V$ | | | 40 | nA |
| Trans-conductance | gm | $\Delta I=5\mu A$ | 70 | 140 | 240 | $\mu A / V$ |
| Voltage Gain | A_V | | | 700 | | V / V |
| Output Section | | | | | | |
| NMOS Current Limit | I_{LIM} | $V_{FB}=1V$, Duty Cycle=65% | | 3 | | A |
| NMOS On Resistance | $R_{DS(ON)}$ | $I_{LX}=1.2A$ | | 0.15 | 0.5 | Ω |
| Output Leakage Current | I_{LXOFF} | $V_{LX}=12V$ | | 0.01 | 20 | μA |
| Current-Sense Trans-Resistance | R_{CS} | | | 0.35 | | V / A |

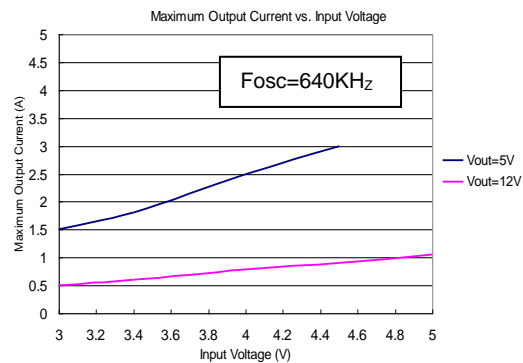
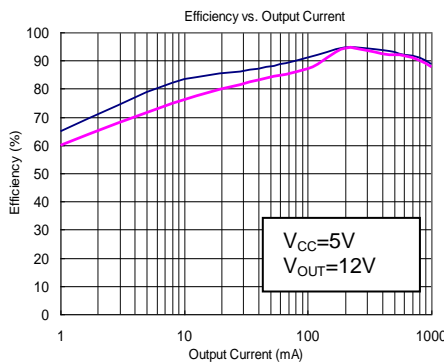
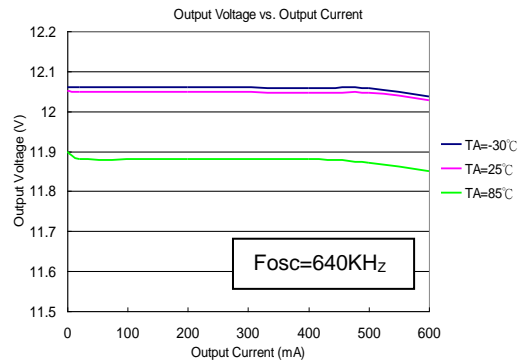
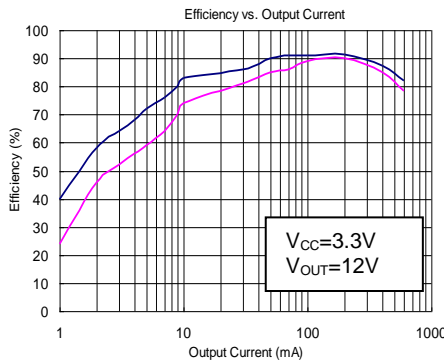
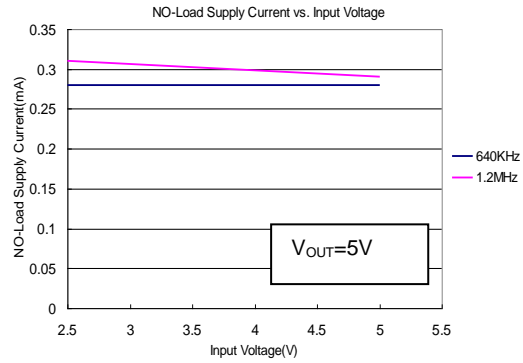
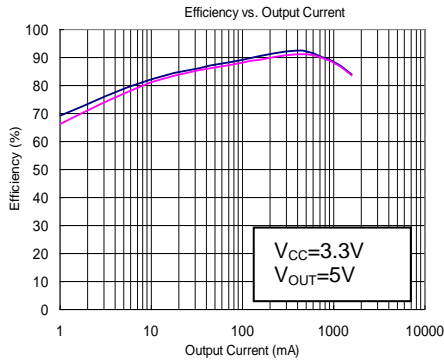
This datasheet contains new product information. Feeling Technology reserves the rights to modify the product specification without notice. No liability is assumed as a result of the use of this product. No rights under any patent accompany the sales of the product.

| Parameter | Symbol | Test Conditions | Min. | Typ. | Max. | Unit |
|------------------------------|---------------|--|--------------------|--------------------|--------------------|---------|
| Control Input Section | | | | | | |
| Input High Voltage | V_{IH} | EN, FREQ pin $V_{CC}=2.6V\sim 5.5V$ | $0.7\times V_{CC}$ | | | V |
| Input Low Voltage | V_{IL} | EN, FREQ pin $V_{CC}=2.6V\sim 5.5V$ | | | $0.3\times V_{CC}$ | V |
| Hysteresis | | EN,FREQ | | $0.1\times V_{CC}$ | | V |
| FREQ Pull-Down Current | I_{FREQ} | | 1.8 | 5 | 9 | μA |
| EN Input Current | I_{EN} | | | 1 | | nA |
| Total Device | | | | | | |
| Disable Supply Current | $I_{DISABLE}$ | EN=GND | | 0.1 | 10 | μA |
| Standby Supply Current | I_{SBY} | $V_{FB}=1.3V$ | | 0.20 | 0.35 | mA |
| Average Supply Current | I_{AVG} | $V_{FB}=1.0V$ | | 2.0 | 5.0 | mA |

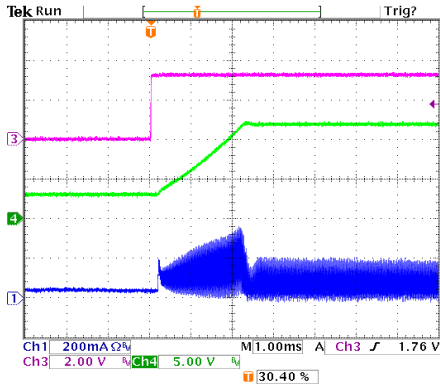
This datasheet contains new product information. Feeling Technology reserves the rights to modify the product specification without notice. No liability is assumed as a result of the use of this product. No rights under any patent accompany the sales of the product.

Typical Operating Characteristics

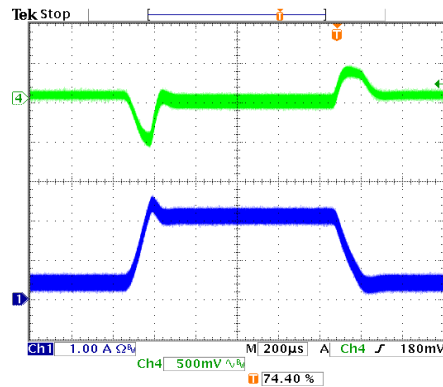
($V_{CC}=3.3V$, $V_{OUT}=5V$, $T_A=25^{\circ}C$, unless otherwise noted)



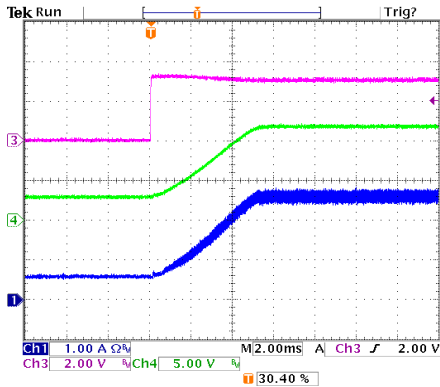
This datasheet contains new product information. Feeling Technology reserves the rights to modify the product specification without notice. No liability is assumed as a result of the use of this product. No rights under any patent accompany the sales of the product.



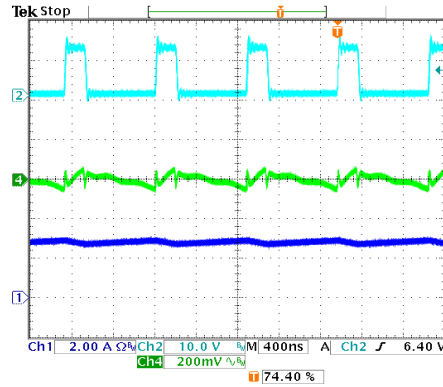
CH1=Inductor Current, CH4= V_{OUT}
 $V_{CC}=3.3V$, $V_{OUT}=12V$
 $I_{LOAD}=10mA$
 Frequency=640KHz



CH1=Inductor Current, CH3=EN, CH4= V_{OUT}
 $V_{CC}=3.3V$, $V_{OUT}=12V$
 $I_{LOAD}=100mA\sim 500mA$
 Frequency=640KHz



CH1=Inductor Current, CH3=EN, CH4= V_{OUT}
 $V_{CC}=3.3V$, $V_{OUT}=12V$
 $I_{LOAD}=600mA$
 Freq=640KHz



CH1=Inductor Current, CH3=LX, CH4= V_{OUT}
 AC-Coupled
 $V_{CC}=3.3V$, $V_{OUT}=12V$
 $I_{LOAD}=600mA$
 Freq=1.2MHz

This datasheet contains new product information. Feeling Technology reserves the rights to modify the product specification without notice. No liability is assumed as a result of the use of this product. No rights under any patent accompany the sales of the product.

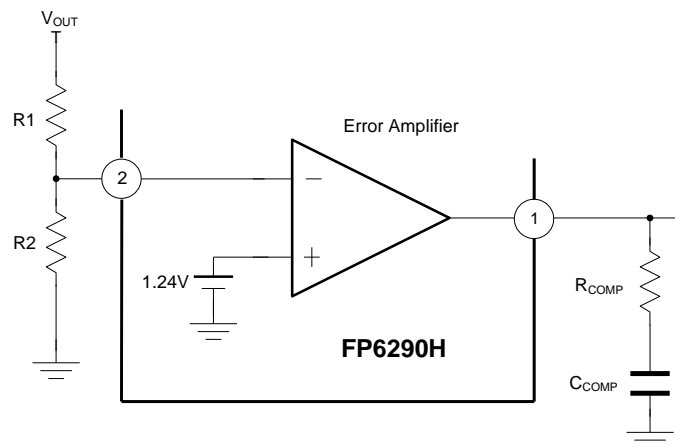
Voltage Reference

A 1.24V reference regulator supplies to the FP6290H error amplifier's non-inverting terminal.

Error Amplifier

The error amplifier compares a sample of the dc-dc converter output voltage with the 1.24V (V_{REF}) reference and generates an error signal for the PWM comparator. Output voltage of dc-dc converter is setting with the resistor divider by the following equation:

$$V_{OUT} = \left(1 + \frac{R1}{R2}\right) \times 1.24$$



Oscillator

The switching frequency of FP6290H can be selected to operate at either 640KHz or 1.2MHz. Connect the FREQ pin to GND for 640KHz operation, or V_{CC} for 1.2MHz operation. FREQ pin has an internal pull-down current around 5 μ A. It gives user the option of selecting 640KHz operation by leaving FREQ unconnected.

Soft Start

The soft start is functional after power on. The interval of soft start time is determined by a capacitor connected to SS pin. When EN pin is taken high, the soft start capacitor (C_{SS}) is charged by a constant current of 4 μ A (typ). During this interval, the SS voltage directly controls the peak inductor current. The maximum load current is available after the soft-start interval is completed. Once the EN pin is taken low, the soft-start capacitor is discharged to ground to prepare for next start-up.

The load must wait for the soft-start interval to finish before drawing a significant amount of load current. The duration after which the load can begin to draw maximum load current is:

$$T_{MAX} = 6.77 \times 10^5 C_{SS}$$

EN

The FP6290H can be turned off to reduce the supply current to 0.1μ A when EN is low. In this mode, the internal reference, error amplifier, comparators, and biasing circuitry turn off while the N-channel MOSFET is turned off. The boost converter's output is connected to V_{CC} by the external inductor and catch diode.

Output Current Capability

The output current capability of the FP6290H is a function of current limit, input voltage, operation frequency, and inductor value. Because of the slope compensation used to stabilize the feedback loop, the duty cycle affects the current limit. The output current capability is governed by the following equation:

$$I_{OUT(MAX)} = [I_{LIM} \times (1.26 - 0.4 \times \text{Duty}) - 0.5 \times \text{Duty} \times V_{IN} / (f_{osc} \times L)] \times \eta \times V_{IN} / V_{OUT}$$

Where:

I_{LIM}=current limit specified at 65%

$$\text{Duty} = \text{duty cycle} = \frac{(V_{OUT} - V_{IN} + V_{DIODE})}{V_{OUT} - I_{LIM} \times R_{ON} + V_{DIODE}}$$

V_{DIODE}=catch diode forward voltage at I_{LIM}

η=conversion efficiency, 85% nominal

Current Limitation

The internal power-MOS switch current is monitored cycle-by-cycle and is limited to the value not exceed 3A (Typ.). When the switch current reaches the limited value, the internal power-MOS is turned off immediately until the next cycle.

Typical Application

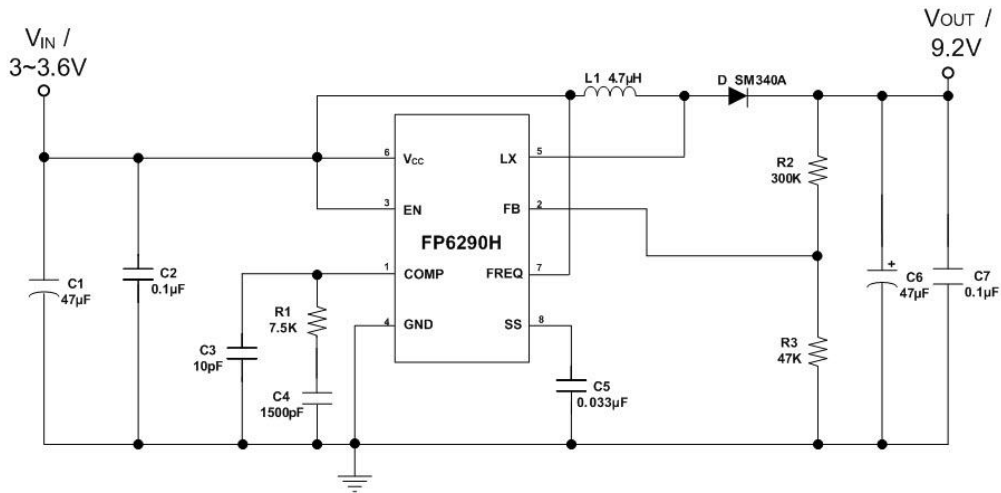


Figure 1 Typical Application Circuits

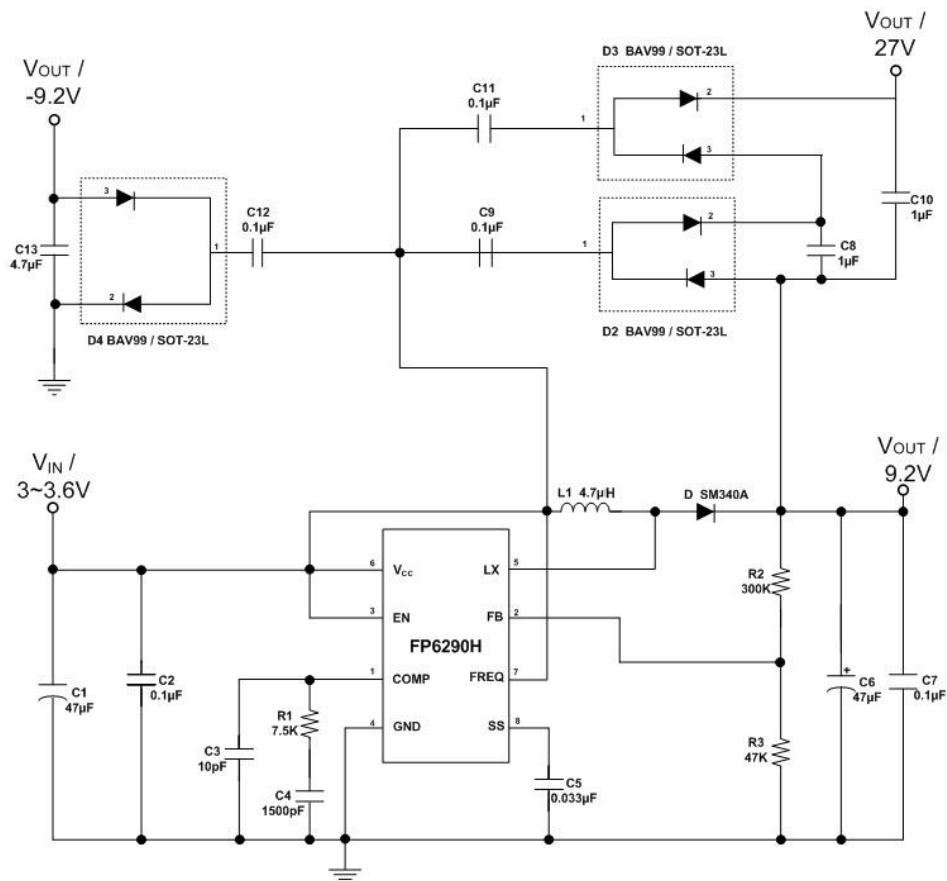
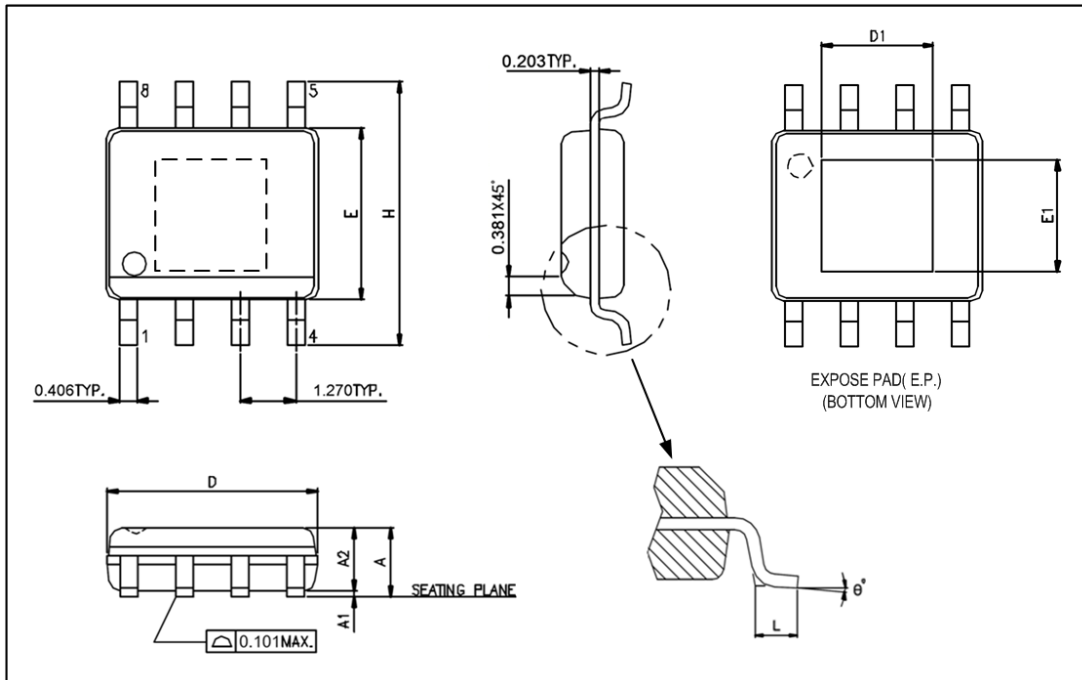


Figure 2 TFT Panel Power Supply Application Circuits

This datasheet contains new product information. Feeling Technology reserves the rights to modify the product specification without notice. No liability is assumed as a result of the use of this product. No rights under any patent accompany the sales of the product.

Package Outline

SOP-8L (EP)



UNIT: mm

| Symbols | Min. (mm) | Max. (mm) |
|----------------|-----------|-----------|
| A | 1.346 | 1.752 |
| A1 | 0.050 | 0.152 |
| A2 | | 1.498 |
| D | 4.800 | 4.978 |
| E | 3.810 | 3.987 |
| H | 5.791 | 6.197 |
| L | 0.406 | 1.270 |
| θ° | 0° | 8° |

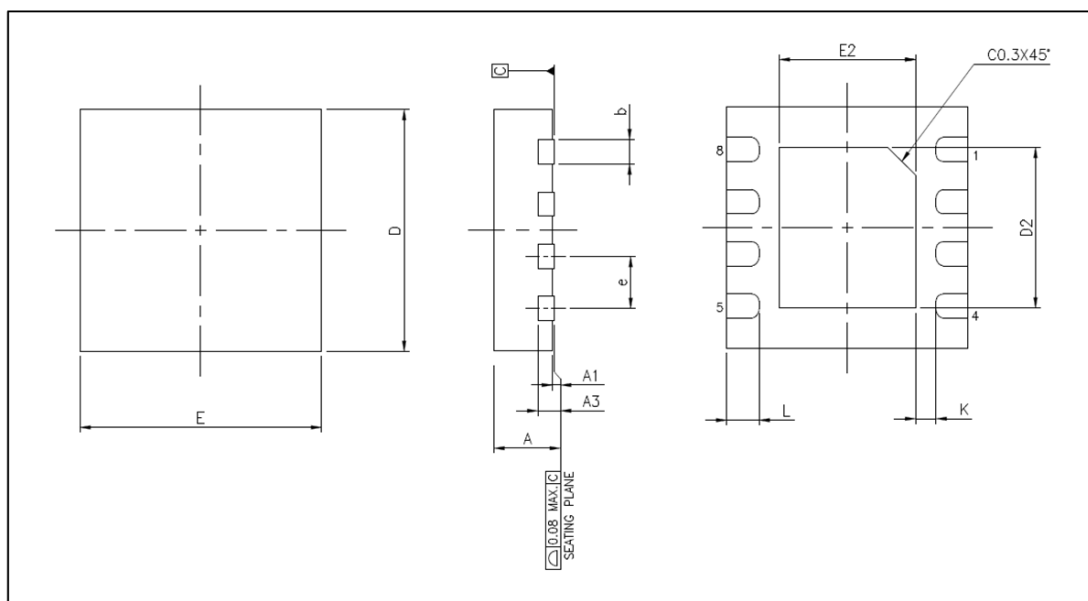
Exposed PAD Dimensions:

| Symbols | Min. (mm) | Max. (mm) |
|---------|-----------|-----------|
| E1 | 1.94 | 2.29 |
| D1 | 1.94 | 2.29 |

Note:

1. Package dimensions are in compliance with JEDEC outline: MS-012 AA.
2. Dimension "D" does not include molding flash, protrusions or gate burrs.
3. Dimension "E" does not include inter-lead flash or protrusions

This datasheet contains new product information. Feeling Technology reserves the rights to modify the product specification without notice. No liability is assumed as a result of the use of this product. No rights under any patent accompany the sales of the product.

DFN-8L

Unit: mm

| Symbols | Min. (mm) | Max. (mm) |
|---------|------------------|-----------|
| A | 0.700 | 0.800 |
| A1 | 0.000 | 0.050 |
| A3 | 0.20REF m | |
| b | 0.25 | 0.35 |
| D | 3.000 BSC | |
| E | 3.000 BSC | |
| e | 0.650 BSC | |
| K | 0.200 | - |

Exposed PAD Dimensions:

| Symbols | Min. (mm) | Max. (mm) |
|---------|-----------|-----------|
| E2 | 1.600 | 1.800 |
| D2 | 1.900 | 2.050 |
| L | 0.350 | 0.450 |

Note:

1. Package dimensions are in compliance with JEDEC outline: MO-229
2. Dimension b applied to metalized terminal and is measured between 0.15mm and 0.30mm from the terminal tip. If the terminal has the optional radius on the other end of the terminal, the dimension b should not be measured in that radius area.

This datasheet contains new product information. Feeling Technology reserves the rights to modify the product specification without notice. No liability is assumed as a result of the use of this product. No rights under any patent accompany the sales of the product.