

MINIATURE POSITIVE ACTION SWITCHES

Series—8866-8869

MIL-S-8834 Miniature Positive Action Switches
Solder Lug Terminals

FEATURES	SPECIFICATIONS	CURRENT RATINGS										
		No. of Poles	Catalog Number	Type of Operation	28 and 50VDC (Amperes per pole)				115VAC 60Hz and 400Hz (Amperes per pole)			
Resistive Load					Inductive Load		Resistive Load		Inductive Load			
					28VDC	50VDC	28VDC	50VDC	60Hz	400Hz	60Hz	400Hz
<ul style="list-style-type: none"> Sealed bushing Current rating versatility 1, and 2 pole circuitry Non-teasible mechanism for all but center "ON" circuits Dry circuit (logic level loads) to power switching levels Wiping action contacts Positive make and break action Small and large size bushings and actuators Solder lug terminals Also available with locking actuators, integrated wire termination and printed circuit board terminals. 	<ul style="list-style-type: none"> Bushing seal or bonded seal per MIL-S-8834 MS approved and QPL'd to MIL-S-8834 Temperature range: -67°F to +160°F (-55°C to +71°C) Life: 20,000 operations at rated load 40,000 mechanical life "O" ring panel seal on 1/4"-40 type bushing size Solder lug terminals .050 [1,27] dia. hole 	1	8866 and 8868	Maintained and Momentary	5	1	1	—	2	3	1	2
		2	8867 and 8869	Maintained and Momentary	5	1	1	—	2	3	1	2

Minimum Rating: 25 μ A at 5 millivolts.

SELECTION TABLE

		CIRCUIT WITH LEVER IN...			Military Part Number	Catalog Number [Ⓜ]	
		Up Position	Center Position	Down Position (Keyway)			
8866		ONE POLE					
		ON	OFF	ON	MS24655-211	8866K1	
		ON	NONE	OFF	-221	K7	
		ON	NONE	ON	-231	K4	
		ON	OFF	NONE	-241	K5	
			* ON	OFF	ON*	MS24655-271	8866K2
	NONE		OFF	ON*	-281	K6	
	ON		OFF	ON*	-311	K3	
	NONE		ON	ON*	-321	K8 [Ⓛ]	
	TWO POLE						
8867		ON	OFF	ON	MS24656-211	8867K1	
		ON	NONE	OFF	-221	K7	
		ON	NONE	ON	-231	K4	
		ON	OFF	NONE	-241	K5	
				* ON	OFF	ON*	MS24656-271
	NONE	OFF		ON*	-281	K6	
	ON	OFF		ON*	-311	K3	
	NONE	ON		ON*	MS24656-321	8867K8 [Ⓛ]	
	ON	ON		ON	-331	K9 [Ⓛ]	
	ON	ON	ON*	-351	K10 [Ⓛ]		
* ON	ON	ON*	-341	K11 [Ⓛ]			

* Momentary contact.

See page 77 for special circuit diagrams.

Ⓛ Dielectric per MIL-S-8834 except limited to 1250 volts. Delayed action of the switch toggle lever may cause circuit to close or open before snap action mechanism trips.

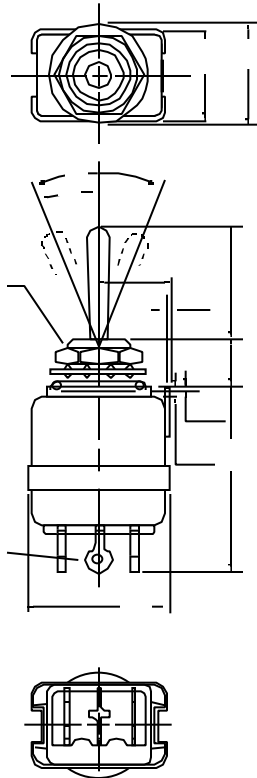
Ⓜ Caution should be exercised during soldering and flux removal. See page 62 for details.

MINIATURE POSITIVE ACTION SWITCHES

Series—8866-8869

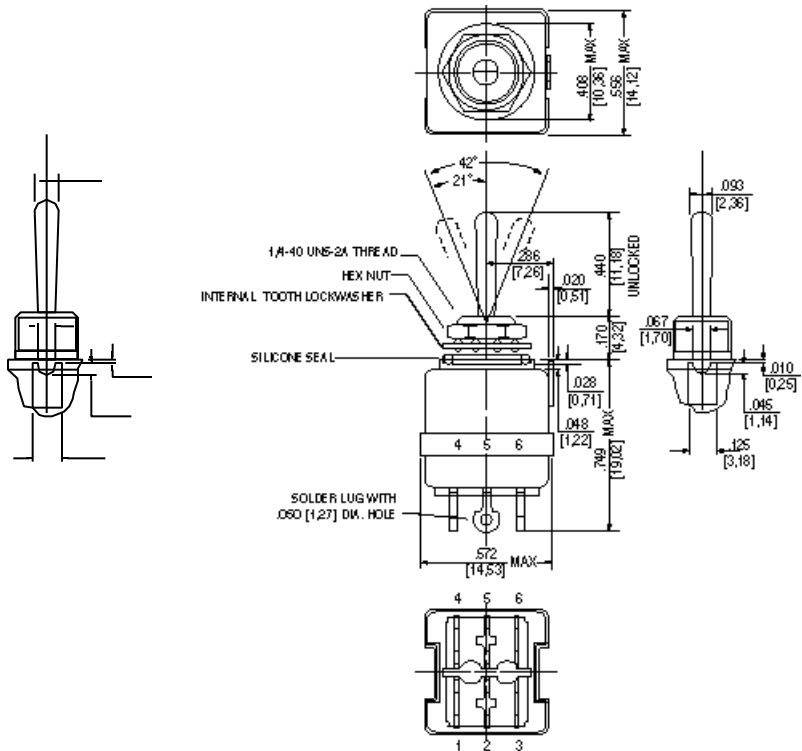
MIL-S-8834 Miniature Positive Action Switches
Solder Lug Terminals

MOUNTING DIMENSIONS—ONE POLE / 8866



Terminal Identification

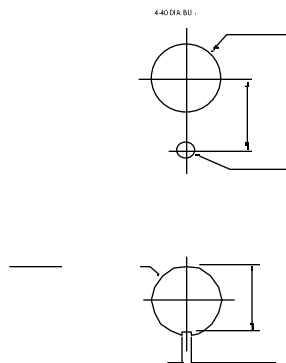
MOUNTING DIMENSIONS—TWO POLE / 8867



Terminal Identification

Non-functional terminals not supplied.

PANEL CUTOUT DIMENSIONS



STANDARD
0.00 = inches
[0.0] = mm



Mounting dimensions for reference only.

MINIATURE POSITIVE ACTION SWITCHES

Series—8866-8869

MIL-S-8834 Miniature Positive Action Switches
Solder Lug Terminals

SELECTION TABLE

		CIRCUIT WITH LEVER IN...							
		Up Position	Center Position	Down Position (Keyway)	MS Part Number	Catalog Number ^②	MS Part Number ^③	Catalog Number ^②	
8868		ONE POLE							
		ON	OFF	ON	MS90310-211	8868K1		Feature Not Available	
		ON	NONE	OFF	-221	K7		in Single Pole Switches	
		ON	NONE	ON	-231	K4			
		ON	OFF	NONE	-241	K5			
		* ON	OFF	ON*	MS90310-271	8868K2			
		NONE	OFF	ON*	-281	K6			
		ON	OFF	ON*	-311	K3			
		NONE	ON	ON*	MS21351-321	K8 ^①			
				TWO POLE					
8869		ON	OFF	ON	MS90311-211	8869K1	MS90311-711	8869K1X	
		ON	NONE	OFF	-221	K7	-721	K7X	
		ON	NONE	ON	-231	K4	-731	K4X	
		ON	OFF	NONE	-241	K5	-741	K5X	
		* ON	OFF	ON*	MS90311-271	8869K2	MS90311-771	8869K2X	
		NONE	OFF	ON*	-281	K6	-781	K6X	
		ON	OFF	ON*	-311	K3	-811	K3X	
		NONE	ON	ON*	MS21353-321	8869K8 ^①	MS21353-821	8869K8X ^①	
		ON	ON	ON	-331	K9 ^①	-831	K9X ^①	
		ON	ON	ON*	-351	K10 ^①	-851	K10X ^①	
* ON	ON	ON*	-341	K11 ^①	-841	K11X ^①			

* Momentary contact.

① Dielectric per MIL-S-8834 except limited to 1250 volts. Delayed action of the switch toggle lever may cause circuit to close or open before snap action mechanism trips.

② Caution should be exercised during soldering and flux removal. See page 62 for details.

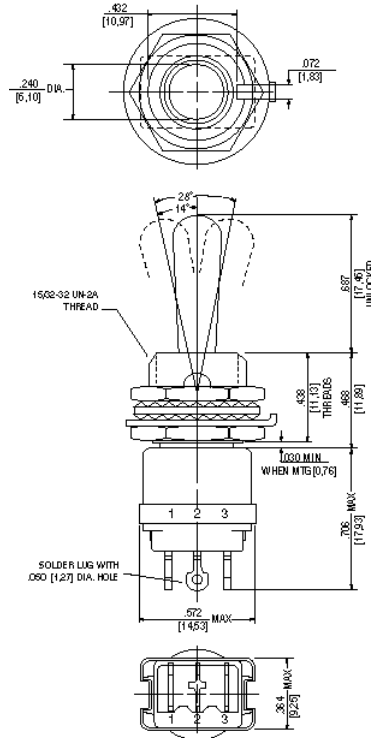
③ Furnished with Bonded Seal Feature. (Meets 15' head of water sealing level.)

MINIATURE POSITIVE ACTION SWITCHES

Series—8866-8869

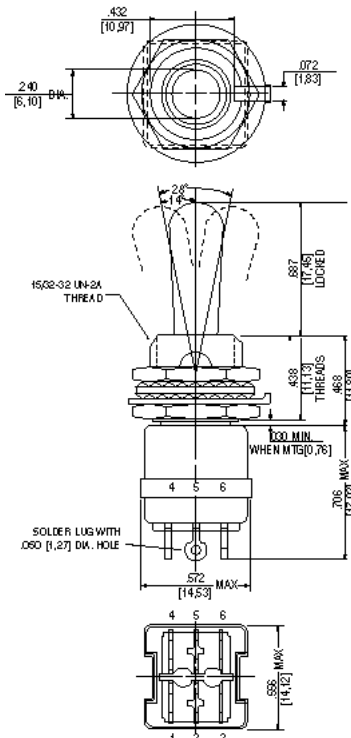
MIL-S-8834 Miniature Positive Action Switches
Solder Lug Terminals

MOUNTING DIMENSIONS—ONE POLE / 8868



Terminal Identification

MOUNTING DIMENSIONS—TWO POLE / 8869



Terminal Identification

STANDARD

0.00 = inches

[0,0] = mm

Mounting dimensions for reference only.
Non-functional terminals not supplied.

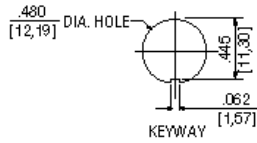
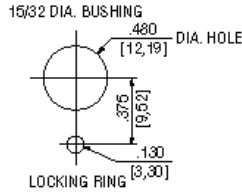
MINIATURE POSITIVE ACTION SWITCHES

Series—8866-8869

MIL-S-8834 Miniature Positive Action Switches
Solder Lug Terminals

OPTIONS/ACCESSORIES PANEL CUTOUT DIMENSIONS

- Special mounting hardware
- Special marking
- Mounting hardware furnished assembled
- Panel seal, Part Number 32-341
- Lever extensions and attachable tips
- Special circuits
- Special bushing and lever plating
- Mounting adapter nuts
- Custom wire harnesses
- EMI/RFI capability on two pole (large bushing)
- Gold plated contacts



STANDARD
0.00 = inches
[0,0] = mm

Mounting dimensions for reference only.

See page 62 for soldering and cleaning recommendations

TOGGLE SWITCHES