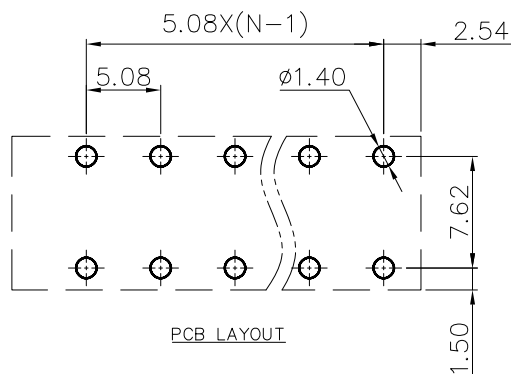
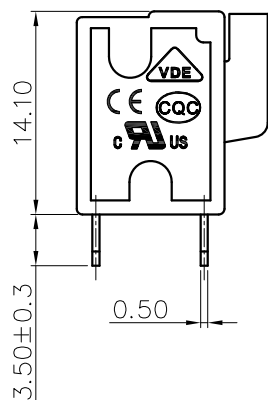
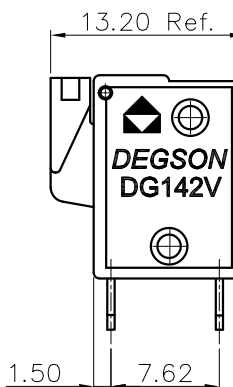
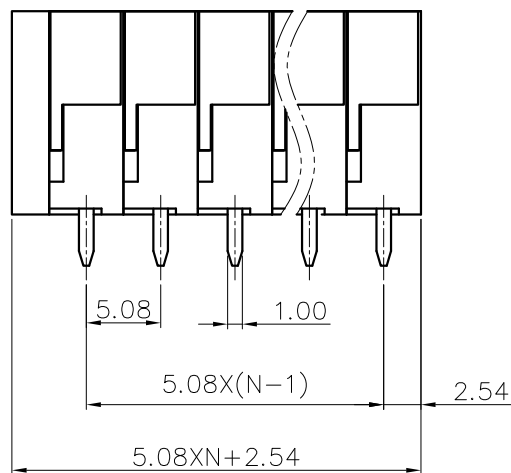
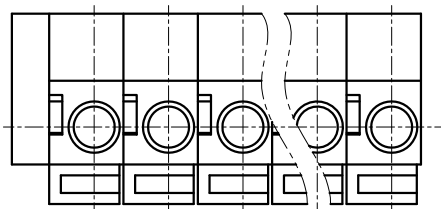


REVISION RECORD

REV	ECN	DESCRIPTION	DRFT	DATE
-----	-----	-------------	------	------



NOTES1:

- UL Standard
- 1.Rated voltage/current : 300V / 10A
- 2.Wire range : 22~16AWG

IEC Standard

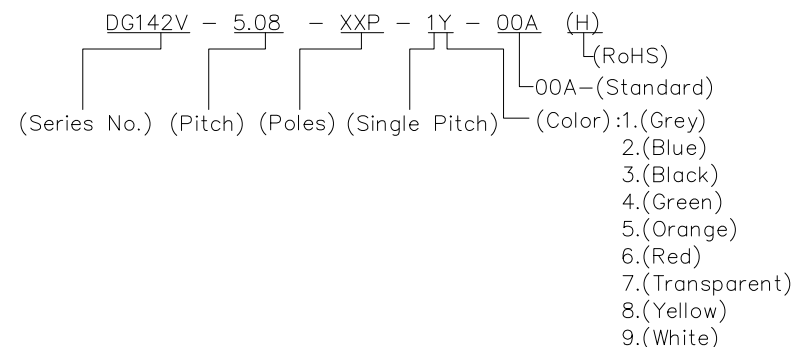
- 1.Rated voltage/current : 250V / 15A
- 2.Wire range : 0.2~1.5mm²

NOTES2:

- 1.Dimension shall be interpreted per ASME Y14.5-2009
- 2.Pitch : 5.08mm, Poles : N=01~XXP
- 3.Stripping length : 11mm
- 2.Withstanding voltage : AC2000V/1Min.
- 3.Operating temperature : -40°C~+105°C
- 4.Undimensioned tolerances:

Pitch range in mm		Nominal dimension range in mm					-	∩	□
TO	Over	Over	TO	Over	Over	Over	0.1/10		
6	6	10	30	60	100	150	<		
±0.15	±0.20	±0.30	±0.30	±0.50	±0.70	±1.00	±1.30	±2'	

5.RoHS Compliance



DETACHED LISTS	PART NO.:	NINGBO DEGSON ELECTRICAL CO., LTD			
	APPD:	NAME: DG142V-5.08-XXP-1Y-00A(H)			
	CHKD:	TITLE: CUSTOMER DRAWING			
	DRFT:	DRAWING NO.:		REV	DO
THIRD ANGLE PROJECTION		DO NOT SCALE DRAWING		SHEET 1/1	
		MM (INCH)	SCALE	1:1	

H
G
F
E
D
C
B
A

H
G
F
E
D
C
B
A