



3X6X5.0mm Tact Switch White Button SMD 2 Pins Tactile Switches Push Button Micro Switch
Momentary Self-reset

PRODUCT DETAILS

Item specifics

- Item Type : Switches
- Switch Type : Push Button Switch
- Certification : CQC
- Certification : CCC
- Certification : PSE
- Material : Copper
- Features :Tact Switch
- Warranty :3 month
- Current : 50mA
- Max. Current : 50mA
- Max. Voltage : 12VDC
- Protection Level : IP40
- Button Color : White
- Function : OFF-(ON) Momentary

Product Description

Specification

Rating: 12VDC 50mA

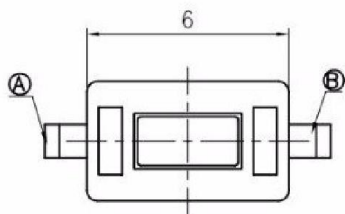
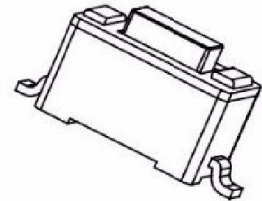
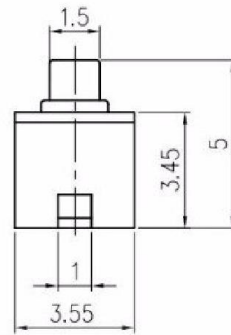
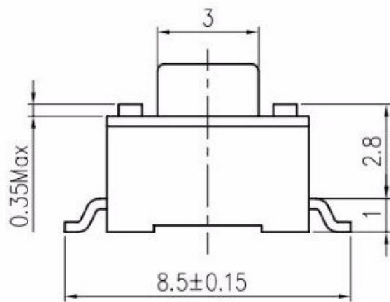
Contact resistance: 100MΩ Max

Travel: 0.2mm

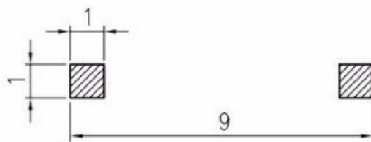
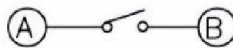
Operating Force: 180gf

Electrical life: >30000 CYCLES

Pictures



电路简图
SCHEMATIC



印制线路板
Recommended P.C.B.
layout

