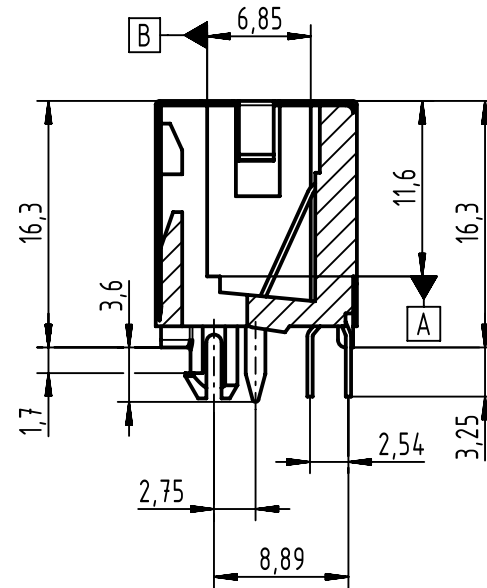
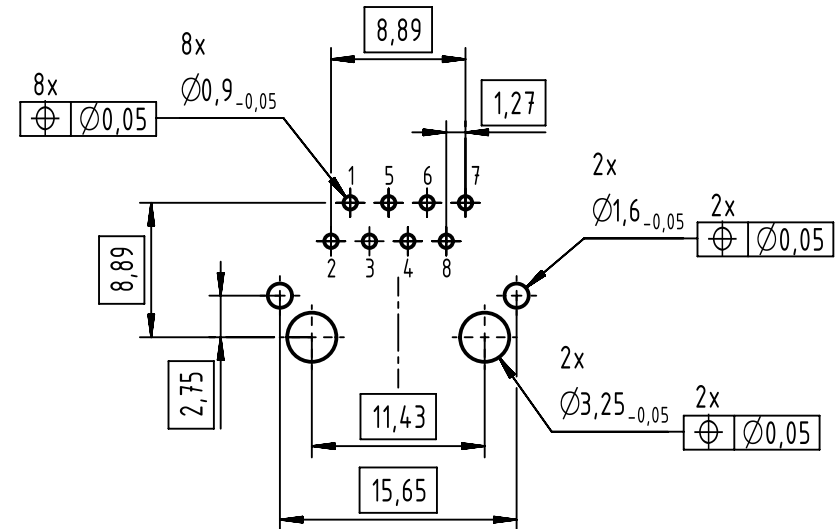


A-A



PCB layout, component side



Material:

Shielding: Copper alloy with nickel plating

Housing: PBT, UL-94-V0, black

Insert: PBT, UL-94-V0, black

Contact: -Phosphor bronze, selective gold plating over nickel in contact area
-Tin plating over nickel in solder area

	All rights reserved Department EC PD - RO	All Dimensions in mm Original Size DIN A4		Scale 2:1	Free size tol.	Ref.
		HARTING Electronics GmbH D-32339 Espelkamp	Created by TAMAS	Inspected by DRAGHICI	Standardisation HOFFMANN	Date 2016-09-05
Title RJ45 jack Cat.5 THT vertical		Type TB		Number 09455511103		Doc-Key / ECM-Nr. 100183220/UGD/002/B 500000108543
						Rev. B
						Page 1/1