

Features

- Object Code Compatible with Earlier TS68000 Microprocessors
- Addressing Mode Extensions for Enhanced Support of High Level Languages
- New Bit Field Data Type Accelerates Bit-oriented Application, i.e. Video Graphics
- Fast on-chip Instruction Cache Speed Instructions and Improves Bus Bandwidth
- Co-processor Interface to Companion 32-bit Peripherals: TS68881 and TS68882 Floating Point Co-processors
- Pipelined Architecture with High Degree of Internal Parallelism Allowing Multiple Instructions to be Executed Concurrently
- High Performance Asynchronous Bus in Non-multiplexed and Full 32 Bits
- Dynamic Bus Sizing Efficiently Supports 8-, 16-, 32-bit Memories and Peripherals
- Full Support of Virtual Memory and Virtual Machine
- Sixteen 32-bit General-purpose Data and Address Registers
- Two 32-bit Supervisor Stack Pointers and 5 Special Purpose Control Registers
- 18 Addressing Modes and 7 Data Types
- 4-Gbyte Direct Addressing Range
- Processor Speed: 16.67 MHz - 20 MHz - 25 MHz
- Power Supply: 5.0 V_{DC} ± 10%

Description

The TS68020 is the first full 32-bit implementation of the TS68000 family of microprocessors. Using HCMOS technology, the TS68020 is implemented with 32-bit registers and data paths, 32-bit addresses, a rich instruction set, and versatile addressing modes.

Screening/Quality

This product is manufactured in full compliance with either:

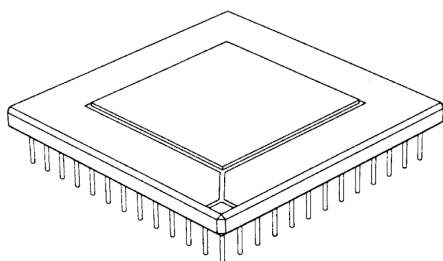
- MIL-STD-883 (class B)
- DESC 5962 - 860320
- or according to Atmel standards

See "Ordering Information" on page 43.

Pin connection: see page 3.

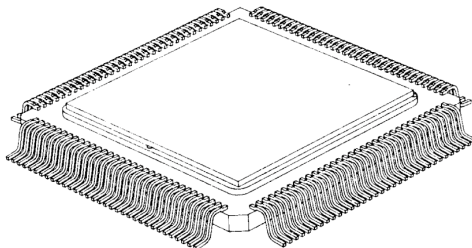
**R suffix
PGA 114**

Ceramic Pin Grid Array



**F suffix
CQFP 132**

Ceramic Quad Flat Pack



HCMOS 32-bit Virtual Memory Microprocessor

TS68020

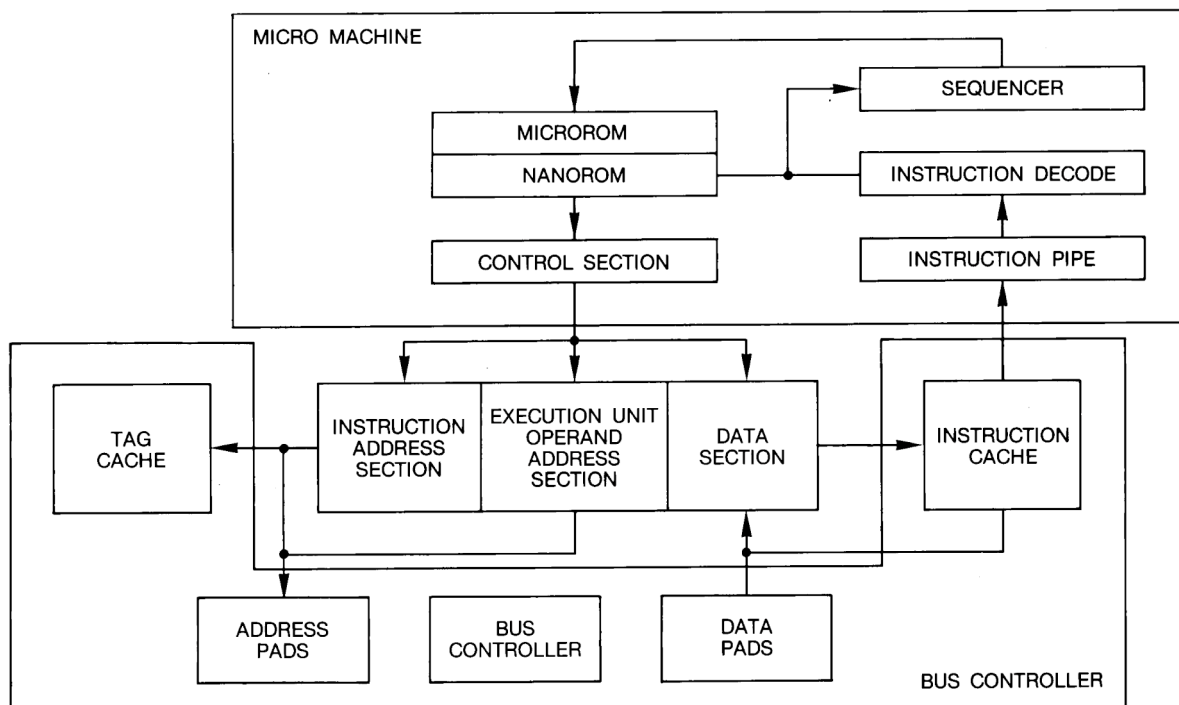
Introduction

The TS68020 is a high-performance 32-bit microprocessor. It is the first microprocessor to have evolved from a 16-bit machine to a full 32-bit machine that provides 32-bit address and data buses as well as 32-bit internal structures. Many techniques were utilized to improve performance and at the same time maintain compatibility with other processors of the TS68000 Family. Among the improvements are new addressing modes which better support high-level language structures, an expanded instruction set which provides 32-bit operations for the limited cases not supported by the TS68000 and several new instructions which support new data types. For special-purpose applications when a general-purpose processor alone is not adequate, a co-processor interface is provided.

The TS68020 is a high-performance microprocessor implemented in HCMOS, low power, small geometry process. This process allows CMOS and HMOS (high density NMOS) gates to be combined on the same device. CMOS structures are used where speed and low power is required, and HMOS structures are used where minimum silicon area is desired. This technology enables the TS68020 to be very fast while consuming less power (less than 1.5 watts) and still have a reasonably small die size. It utilizes about 190,000 transistors, 103,000 of which are actually implemented. The package is a pin-grid array (PGA) with 114 pins, arranged 13 pins on a side with a depopulated center and 132 pins ceramic quad flat pack.

Figure 1 is a block diagram of the TS68020. The processor can be divided into two main sections: the bus controller and the micromachine. This division reflects the autonomy with which the sections operate.

Figure 1. TS68020 Block Diagram



The bus controller consists of the address and data pads and multiplexers required to support dynamic bus sizing, a macro bus controller which schedules the bus cycles on the basis of priority with two state machines (one to control the bus cycles for operated accesses and the other to control the bus cycles for instruction accesses), and the instruction cache with its associated control.

The micromachine consists of an execution unit, nanorom and microrom storage, an instruction decoder, an instruction pipe, and associated control sections. The execution unit consists of an address section, an operand address section, and a data section. Microcode control is provided by a modified two-level store of microrom and nanorom. Programmed logical arrays (PLAs) are used to provide instruction decode and sequencing information. The instruction pipe and other individual control sections provide the secondary decode of instructions and generated the actual control signals that result in the decoding and interpretation of nanorom and microrom information.

Figure 2. PGA Terminal Designation

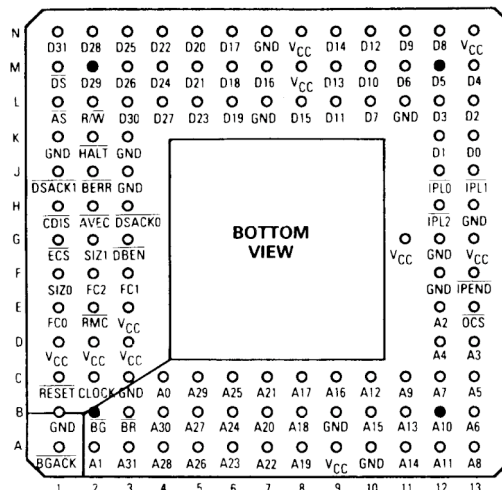


Figure 3. CQFP Terminal Designation

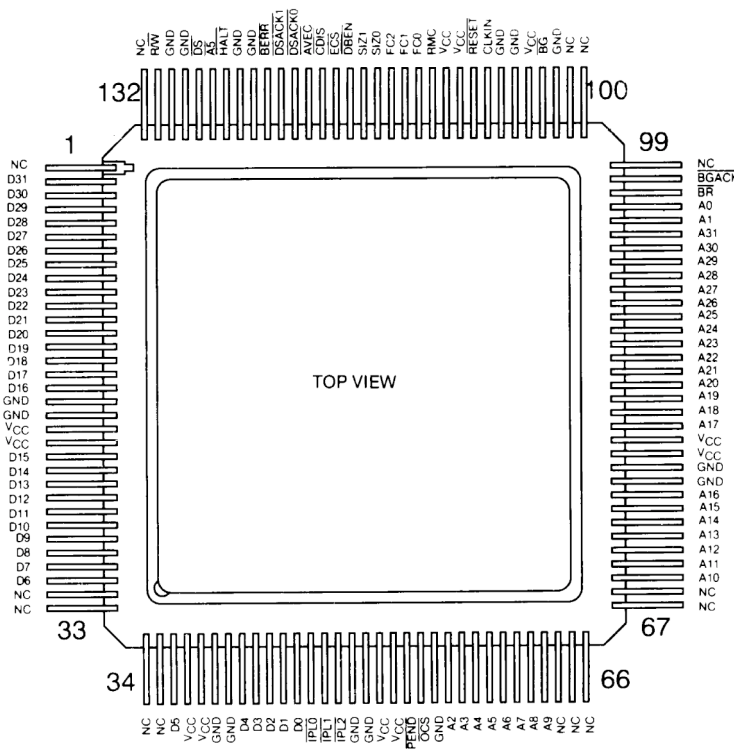
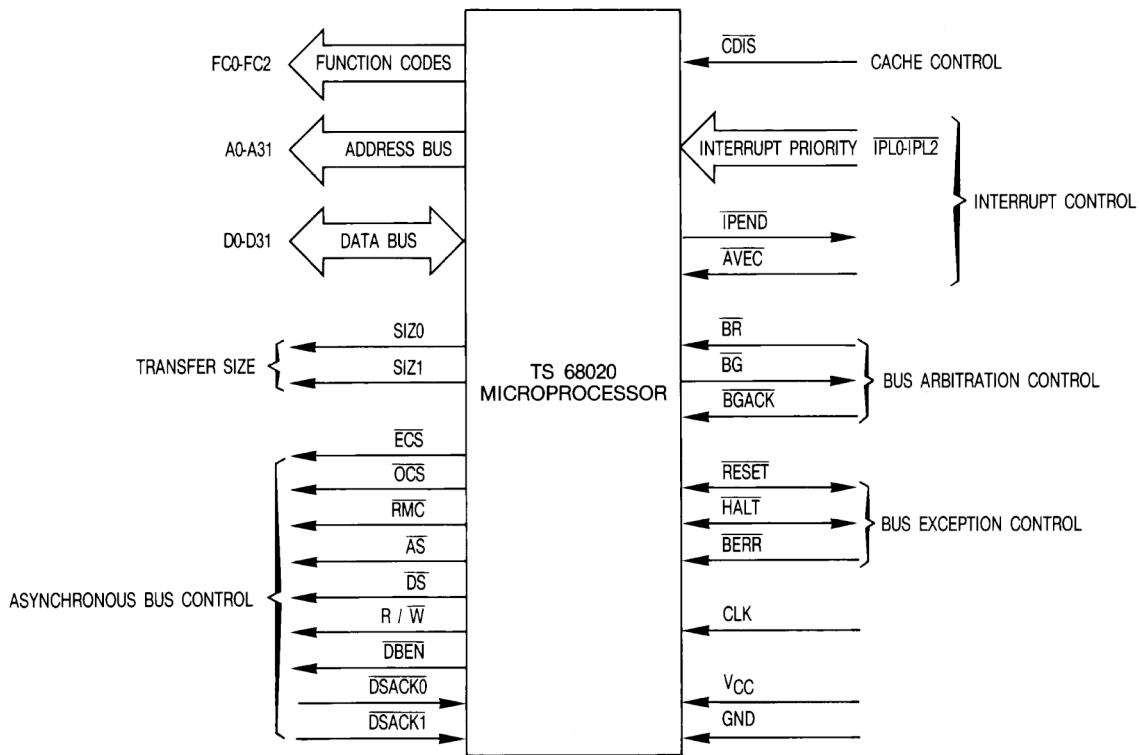


Figure 4. Functional Signal Groups



Signal Description

Figure 4 illustrates the functional signal groups and Table 1 lists the signals and their function.

The V_{CC} and GND pins are separated into four groups to provide individual power supply connections for the address bus buffers, data bus buffers, and all other output buffers and internal logic.

Group	V_{CC}	GND
Address Bus	A9, D3	A10, B9,C3, F12
Data Bus	M8, N8, N13	L7, L11, N7, K3
Logic	D1, D2, E3, G11, G13	G12, H13, J3, K1
Clock	—	B1

Table 1. Signal Index

Signal Name	Mnemonic	Function
Address Bus	A0-A31	32-bit Address Bus Used to address any of 4, 294, 967, 296 bytes.
Data Bus	D0-D31	32-bit Data Bus Used to Transfer 8, 16, 24 or 32 bits of Data Per Bus Cycle.
Function Codes	FC0-FC2	3-bit Function Case Used to Identify the Address Space of Each Bus Cycle.
Size	SIZ0/SIZ1	Indicates the Number of Bytes Remaining to be Transferred for this Cycle. These Signals, Together with A0 And A1, Define the Active Sections of the Data Bus.
Read-Modify-Write Cycle	\overline{RMC}	Provides an Indicator that the Current Bus Cycle is Part of an Indivisible read-modify-write Operation.
External Cycle Start	\overline{ECS}	Provides an Indication that a Bus Cycle is Beginning.
Operand Cycle Start	\overline{OCS}	Identical Operation to that of ECS Except that OCS Is Asserted Only During the First Bus Cycle of an Operand Transfer.
Address Strobe	\overline{AS}	Indicates that a Valid Address is on The Bus.
Data Strobe	\overline{DS}	Indicates that Valid Data is to be Placed on the Data Bus by an External Device or has been Laced on the Data Bus by the TS68020.
Read/Write	R/\overline{W}	Defines the Bus Transfer as an MPU Read or Write.
Data Buffer Enable	\overline{DBEN}	Provides an Enable Signal for External Data Buffers.
Data Transfer and Size Acknowledge	$\overline{DSACK0}/\overline{DSACK1}$	Bus Response Signals that Indicate the Requested Data Transfer Operation is Completed. In Addition, these Two Lines Indicate the Size of the External Bus Port on a Cycle-by-cycle Basis.
Cache Disable	\overline{CDIS}	Dynamically Disables the On-chip Cache to Assist Emulator Support.
Interrupt Priority Level	$\overline{IPL0-IPL2}$	Provides an Encoded Interrupt Level to the Processor.
Autovector	\overline{AVEC}	Requests an Autovector During an Interrupt Acknowledge Cycle.
Interrupt Pending	\overline{IPEND}	Indicates that an Interrupt is Pending.
Bus Request	\overline{BR}	Indicates that an External Device Requires Bus Mastership.
Bus Grant	\overline{BG}	Indicates that an External Device may Assume Bus Mastership.
Bus Grant Acknowledge	\overline{BGACK}	Indicates that an External Device has Assumed Bus Mastership.
Reset	\overline{RESET}	System Reset.
Halt	\overline{HALT}	Indicates that the Processor Should Suspend Bus Activity.
Bus Error	\overline{BERR}	Indicates an Invalid or Illegal Bus Operation is Being Attempted.
Clock	CLK	Clock Input to the Processor.
Power Supply	V _{CC}	+5-volt ± 10% Power Supply.
Ground	GND	Ground Connection.

Detailed Specifications

Scope

This drawing describes the specific requirements for the microprocessor 68020, 16.67 MHz, 20 MHz and 25 MHz, in compliance with the MIL-STD-883 class B.

Applicable Documents

MIL-STD-883

- MIL-STD-883: Test Methods and Procedures for Electronics
- MIL-PRF-38535 appendix A: General Specifications for Microcircuits
- Desc Drawing 5962 - 860320xxx

Requirements

General

The microcircuits are in accordance with the applicable document and as specified herein.

Design and Construction

Terminal Connections

Depending on the package, the terminal connections shall be as shown in Figure 2 and Figure 3.

Lead Material and Finish

Lead material and finish shall be any option of MIL-STD-1835.

Package

The macrocircuits are packages in hermetically sealed ceramic packages which are conform to case outlines of MIL-STD-1835 (when defined):

- 114-pin SQ.PGA UP PAE Outline
- 132-pin Ceramic Quad Flat Pack CQFP

The precise case outlines are described on Figure 23 and Figure 24.

Electrical Characteristics

Table 2. Absolute Maximum Ratings

Symbol	Parameter	Test Conditions	Min	Max	Unit
V _{CC}	Supply Voltage		-0.3	+7.0	V
V _I	Input Voltage		-0.5	+7.0	V
P _{dmax}	Max Power Dissipation	T _{case} = -55°C		2.0	W
		T _{case} = +125°C		1.9	W
T _{case}	Operating Temperature	M Suffix	-55	+125	°C
		V Suffix	-40	+85	°C
T _{stg}	Storage Temperature		-55	+150	°C
T _{leads}	Lead Temperature	Max 5 Sec. Soldering		+270	°C

Table 3. Recommended Condition of Use

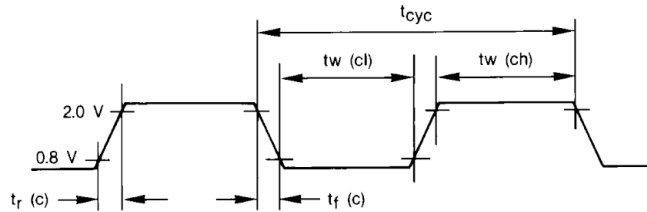
Unless otherwise stated, all voltages are referenced to the reference terminal (see Table 1).

Symbol	Parameter		Min	Max	Unit
V _{CC}	Supply Voltage		4.5	5.5	V
V _{IL}	Low Level Input Voltage		-0.3	0.5	V
V _{IH}	High Level Input Voltage		2.4	5.25	V
T _{case}	Operating Temperature		-55	+125	°C
R _L	Value of Output Load Resistance		(1)		Ω
C _L	Output Loading Capacitance			(1)	pF
t _{r(c)} –t _{f(c)}	Clock Rise Time (See Figure 5)	68020-16		5	ns
		68020-20		5	
		68020-25		4	
f _c	Clock Frequency (See Figure 5)	68020-16	8	16.67	MHz
		68020-20	12.5	20	
		68020-25	12.5	25	
t _{cyc}	Cycle Time (see Figure 5)	68020-16	60	125	ns
		68020-20	50	80	
		68020-25	40	80	
t _{w(CL)}	Clock Pulse Width Low (See Figure 5)	68020-16	24	95	ns
		68020-20	20	54	
		68020-25	19	61	
t _{w(CH)}	Clock Pulse Width High (See Figure 5)	68020-16	24	95	ns
		68020-20	20	50	
		68020-25	19	61	

Note: 1. Load network number 1 to 4 as specified (Table 7) gives the maximum loading of the relevant output.

This device contains protective circuitry against damage due to high static voltages or electrical fields; however, it is advised that normal precautions be taken to avoid application of any voltages higher than maximum-rated voltages to this high-impedance circuit. Reliability of operation is enhanced if unused inputs are tied to an appropriate logic voltage level (e.g., either GND or V_{CC}).

Figure 5. Clock Input Timing Diagram



Note: Timing measurements are referenced to and from a low voltage of 0.8V and a high voltage of 2.0V, unless otherwise noted. The voltage swing through this range should start outside and pass through the range such that the rise or fall will be linear between 0.8V and 2.0V.

Table 4. Thermal Characteristics at 25°C

Package	Symbol	Parameter	Value	Unit
PGA 114	θ_{JA}	Thermal Resistance - Ceramic Junction to Ambient	26	°C/W
	θ_{JC}	Thermal Resistance - Ceramic Junction to Case	5	°C/W
CQFP 132	θ_{JA}	Thermal Resistance - Ceramic Junction to Ambient	34	°C/W
	θ_{JC}	Thermal Resistance - Ceramic Junction to Case	2	°C/W

Power Considerations

The average chip-junction temperature, T_J , in °C can be obtained from:

$$T_J = T_A + (P_D \cdot \theta_{JA}) \quad (1)$$

T_A = Ambient Temperature, °C

θ_{JA} = Package Thermal Resistance, Junction-to-Ambient, °C/W

$$P_D = P_{INT} + P_{I/O}$$

$P_{INT} = I_{CC} \cdot V_{CC}$, Watts — Chip Internal Power

$P_{I/O}$ = Power Dissipation on Input and Output Pins — User Determined

For most applications $P_{I/O} < P_{INT}$ and can be neglected.

An approximate relationship between P_D and T_J (if $P_{I/O}$ is neglected) is:

$$P_D = K + (T_J + 273) \quad (2)$$

Solving equations (1) and (2) for K gives:

$$K = P_D \cdot (T_A + 273) + \theta_{JA} \cdot P_D^2 \quad (3)$$

where K is a constant pertaining to the particular part K can be determined from equation (3) by measuring P_D (at equilibrium) for a known T_A . Using this value of K, the values of P_D and T_J can be obtained by solving equations (1) and (2) iteratively for any value of T_A .

The total thermal resistance of a package (θ_{JA}) can be separated into two components, θ_{JC} and θ_{CA} , representing the barrier to heat flow from the semiconductor junction to the package (case), surface (θ_{JC}) and from the case to the outside ambient (θ_{CA}). These terms are related by the equation:

$$\theta_{JA} = \theta_{JC} + \theta_{CA} \tag{4}$$

θ_{JC} is device related and cannot be influenced by the user. However, θ_{CA} is user dependent and can be minimized by such thermal management techniques as heat sinks, ambient air cooling and thermal convection. Thus, good thermal management on the part of the user can significantly reduce θ_{CA} so that θ_{JA} approximately equals θ_{JC} . Substitution of θ_{JC} for θ_{JA} in equation (1) will result in a lower semiconductor junction temperature.

Mechanical and Environment

The microcircuits shall meet all mechanical environmental requirements of MIL-STD-883 for class B devices.

Marking

The document where are defined the marking are identified in the related reference documents. Each microcircuit are legible and permanently marked with the following information as minimum:

- ATMEL Logo
- Manufacturer’s Part Number
- Class B Identification
- Date-code of Inspection Lot
- ESD Identifier if Available
- Country of Manufacturing

Quality Conformance Inspection

DESC/MIL-STD-883

Is in accordance with MIL-M-38510 and method 5005 of MIL-STD-883. Group A and B inspections are performed on each production lot. Group C and D inspections are performed on a periodical basis.

Electrical Characteristics

General Requirements

All static and dynamic electrical characteristics specified and the relevant measurement conditions are given below.

(last issue on request to our marketing services).

Table 5: Static electrical characteristics for all electrical variants.

Table 6: Dynamic electrical characteristics for 68020-16 (16.67 MHz), 68020-20 (20 MHz) and 68020-25 (25 MHz).

For static characteristics, test methods refer to “Test Conditions Specific to the Device” on page 14 hereafter of this specification (Table 7).



For dynamic characteristics (Table 6), test methods refer to IEC 748-2 method, where existing.

Indication of “min.” or “max.” in the column “test temperature” means minimum or maximum operating temperature.

Table 5. Static Characteristics. $V_{CC} = 5.0V_{DC} \pm 10\%$; $GND = 0V_{DC}$; $T_c = -55/+125^\circ C$ or $-40/+85^\circ C$ (Figure 4 to Figure 8)

Symbol	Parameter	Condition	Min	Max	Units
I_{CC}	Maximum Supply Current	$V_{CC} = 5.5V$ $T_{case} = -55^\circ C$ to $+25^\circ C$		333	mA
I_{CC}	Maximum Supply Current	$V_{CC} = 5.5V$ $T_{case} = 125^\circ C$		207	mA
V_{IH}	High Level Input Voltage	$V_O = 0.5V$ or 2.5 $V_{CC} = 4.5V$ to $5.5V$	2.0	V_{CC}	V
V_{IL}	Low Level Input Voltage	$V_O = 0.5V$ or $2.4V$ $V_{CC} = 4.5V$ to $5.5V$	-0.5	0.8	V
V_{OH}	High Level Output Voltage All Outputs	$I_{OH} = 400 \mu A$	2.4		V
V_{OL}	Low Level Output Voltage Outputs A0-A31, FC0-FC2, D0-D31, SIZ0-SIZ1, \overline{BG}	$I_{OL} = 3.2$ mA Load Circuit as Figure 8 $R = 1.22$ k Ω		0.5	V
V_{OL}	Low Level Output Voltage Outputs \overline{AS} , \overline{DS} , \overline{RMC} , $\overline{R/W}$, \overline{DBEN} , \overline{IPEND}	$I_{OL} = 5.3$ mA Load Circuit as Figure 8 $R = 740\Omega$		0.5	V
V_{OL}	Low Level Output Voltage Outputs \overline{ECS} , \overline{OCS}	$I_{OL} = 2.0$ mA Load Circuit as Figure 8 $R = 2$ k Ω		0.5	V
V_{OL}	Low Level Output Voltage Outputs \overline{HALT} , \overline{RESET}	$I_{OL} = 10.7$ mA Load Circuit as Figure 6 and Figure 7		0.5	V
$ I_{IN} $	Input Leakage Current (High and Low State)	$-0.5V \leq V_{IN} \leq V_{CC}$ (Max)		2.5	μA
$ I_{OHZ} $	High level leakage current at three-state outputs Outputs A0-A31, \overline{AS} , \overline{DBEN} , \overline{DS} , D0-D31, $\overline{R/W}$, FC0-FC2, \overline{RMC} , SIZ0-SIZ1	$V_{OH} = 2.4V$		2.5	μA
$ I_{OLZ} $	Low Level Leakage Current at Three-state Outputs Outputs A0-A31, \overline{AS} , \overline{DBEN} , \overline{DS} , D0-D31 $\overline{R/W}$, FC0-FC2, \overline{RMC} , SIZ0-SIZ1	$V_{OL} = 0.5V$		2.5	μA
I_{OS}	Output Short-circuit Current (Any Output)	$V_{CC} = 5.5V$ $V_O = 0V$ (Pulsed. Duration 1 ms Duty Cycle 10:1)		200	mA

Dynamic (Switching) Characteristics

The limits and values given in this section apply over the full case temperature range - 55°C to +125°C and V_{CC} in the range 4.5V to 5.5V $V_{IL} = 0.5V$ and $V_{IH} = 2.4V$ (See also note 12 and 13). The INTERVAL numbers refer to the timing diagrams. See Figure 5, Figure 9 and Figure 12.

Table 6. Dynamic Electrical Characteristics

Symbol	Parameter	Interval Number	68020-16		68020-20		68020-25		Unit	Notes
			Min	Max	Min	Max	Min	Max		
t_{CPW}	Clock Pulse Width	2, 3	24	95	20	54	19	61	ns	
t_{CHAV}	Clock High to Address/FC/Size/ \overline{RMC} Valid	6	0	30	0	25	0	25	ns	
t_{CHEV}	Clock High to \overline{ECS} , \overline{OCS} Asserted	6A	0	20	0	15	0	12	ns	
t_{CHAZX}	Clock High to Address/Data/FC/ \overline{RMC} /Size High Impedance	7	0	60	0	50	0	40	ns	(11)
t_{CHAZn}	Clock High to Address/FC/Size/ \overline{RMC} Invalid	8	0		0		0		ns	
t_{CLSA}	Clock Low to \overline{AS} , \overline{DS} Asserted	9	3	30	3	25	3	18	ns	
t_{STSA}	\overline{AS} to \overline{DS} Assertion (Read)(Skew)	9A	-15	15	-10	10	-10	10	ns	(1)
t_{ECSA}	\overline{ECS} Width Asserted	10	20		15		15		ns	
t_{OCSA}	\overline{OCS} Width Asserted	10A	20		15		15		ns	
t_{EOCSN}	\overline{ECS} , \overline{OCS} Width Negated	10B	15		10		5		ns	(11)
t_{AVSA}	Address/FC/Size/ \overline{RMC} Valid to \overline{AS} Asserted (and \overline{DS} Asserted, Read)	11	15		10		6		ns	(6)
t_{CLSN}	Clock Low to \overline{AS} , \overline{DS} Negated	12	0	30	0	25	0	15	ns	
t_{CLEN}	Clock Low to $\overline{ECS}/\overline{OCS}$ Negated	12A	0	30	0	25	0	15	ns	
t_{SNAI}	\overline{AS} , \overline{DS} Negated to Address/FC/Size/ \overline{RMC} Invalid	13	15		10		10		ns	
t_{SWA}	\overline{AS} (and \overline{DS} , Read) Width Asserted	14	100		85		70		ns	
t_{SWAW}	\overline{DS} Width Asserted, Write	14A	40		38		30		ns	
t_{SN}	\overline{AS} , \overline{DS} Width Negated	15	40		38		30		ns	(11)
t_{SNSA}	\overline{DS} Negated to \overline{AS} Asserted	15A	35		30		25		ns	(8)
t_{CSZ}	Clock High to $\overline{AS}/\overline{DS}/R/\overline{W}/\overline{DBEN}$ High Impedance	16		60		50		40	ns	(11)
t_{SNRN}	\overline{AS} , \overline{DS} Negated to R/\overline{W} High	17	15		10		10		ns	(6)
t_{CHRH}	Clock High to R/\overline{W} High	18	0	30	0	25	0	20	ns	
t_{CHRL}	Clock High to R/\overline{W} Low	20	0	30	0	25	0	20	ns	
t_{RAAA}	R/\overline{W} High to \overline{AS} Asserted	21	15		10		5		ns	(6)
t_{RASA}	R/\overline{W} Low to \overline{DS} Asserted (Write)	22	75		60		50		ns	(6)
t_{CHDO}	Clock High to Data Out Valid	23		30		25		25	ns	
t_{SNDI}	AS , DS Negated to Data Out Valid	25	15		10		5		ns	(6)
t_{DNDBN}	\overline{DS} Negated to \overline{DBEN} Negated (Write)	25A	15		10		5		ns	(9)

Table 6. Dynamic Electrical Characteristics (Continued)

Symbol	Parameter	Interval Number	68020-16		68020-20		68020-25		Unit	Notes
			Min	Max	Min	Max	Min	Max		
t_{DVSA}	Data Out Valid to \overline{DS} Asserted (Write) 26	26	15		10		5		ns	(6)
t_{DICL}	Data in Valid to Clock Low (Data Setup)	27	5		5		5		ns	
t_{BELCL}	Late $\overline{BERR}/\overline{HALT}$ Asserted to Clock Low Setup Time	27A	20		15		10		ns	
t_{SNDN}	\overline{AS} , \overline{DS} Negated to $\overline{DSACKx}/\overline{BERR}/\overline{HALT}/\overline{AVEC}$ Negated	28	0	80	0	65	0	50	ns	
t_{SNDI}	\overline{DS} Negated to Data On Invalid (Data in Hold Time)	29	0		0		0		ns	(6)
t_{SNDIZ}	\overline{DS} Negated to Data in High Impedance	29A		60		50		40	ns	
t_{DADI}	\overline{DSACKx} Asserted to Data In Valid	31		50		43		32		(2)(11)
t_{DADV}	\overline{DSACK} Asserted to \overline{DSACKx} Valid (\overline{DSACK} Asserted Skew)	31A		15		10		10	ns	(3)(11)
t_{HRrf}	\overline{RESET} Input Transition Time	32		1.5		1.5		1.5	Clks	
t_{CLBA}	Clock Low to \overline{BG} Asserted	33	0	30	0	25	0	20	ns	
t_{CLBN}	Clock Low to \overline{BG} Negated	34	0	30	0	25	0	20	ns	
t_{BRAGA}	\overline{BR} Asserted to \overline{BG} Asserted (RMC Not Asserted)	35	1.5	3.5	1.5	3.5	1.5	3.5	Clks	(11)
t_{GAGN}	\overline{BGACK} Asserted to \overline{BG} Negated	37	1.5	3.5	1.5	3.5	1.5	3.5	Clks	(11)
t_{GABRN}	\overline{BGACK} Asserted to \overline{BR} Negated	37A	0	1.5	0	1.5	0	1.5	Clks	(11)
t_{GN}	\overline{BG} Width Negated	39	90		75		60		ns	(11)
t_{GA}	\overline{BG} Width Asserted	39A	90		75		60		ns	
t_{CHDAR}	Clock High to \overline{DBEN} Asserted (Read)	40	0	30	0	25	0	20	ns	
t_{CLDNR}	Clock Low to \overline{DBEN} Negated (Read)	41	0	30	0	25	0	20	ns	
t_{CLDAW}	Clock Low to \overline{DBEN} Negated (Read)	42	0	30	0	25	0	20	ns	
t_{CHDNW}	Clock High to \overline{DBEN} Asserted (Read)	43	0	30	0	25	0	20	ns	
t_{RADA}	R/W Low to \overline{DBEN} Asserted (Write)	44	15		10		10		ns	(6)
t_{DA}	\overline{DBEN} Width Asserted READ WRITE	45	60 120		50 100		40 80		ns ns	(5) (5)
t_{RWA}	R/ \overline{W} Width Asserted (Write or Read)	46	150		125		100		ns	
t_{AIST}	Asynchronous Input Setup Time	47A	5		5		5		ns	(11)
t_{AIHT}	Asynchronous Input Hold Time	47B	15		15		10		ns	(11)
t_{DABA}	\overline{DSACKx} Asserted to $\overline{BERR}/\overline{HALT}$ Asserted	48		30		20		18	ns	(4)(11)
t_{DOCH}	Data Out Hold from Clock High	53	0		0		0		ns	
t_{BNHN}	\overline{BERR} Negated to \overline{HALT} Negated (Rerun)		0		0		0		ns	

Table 6. Dynamic Electrical Characteristics (Continued)

Symbol	Parameter	Interval Number	68020-16		68020-20		68020-25		Unit	Notes
			Min	Max	Min	Max	Min	Max		
f	Frequency of Operation		8.0	16.67	12.5	20.0	12.5	25	MHz	
t _{RADC}	R/W Asserted to Data Bus Impedance Change	55	30		25		20			(11)
t _{HRPW}	$\overline{\text{RESET}}$ Pulse Width (Reset Instruction)	56	512		512		512		Clks	(11)
t _{BNHN}	$\overline{\text{BERR}}$ Negated to $\overline{\text{HALT}}$ Negated (Rerun)	57	0		0		0		ns	(11)
t _{GANBD}	$\overline{\text{BGACK}}$ Negated to Bus Driven	58	1		1		1		Clks	(10)(11)
t _{GNBD}	$\overline{\text{BG}}$ Negated to Bus Driven	59	1		1		1		Clks	(10)(11)

- Notes:
1. This number can be reduced to 5 nanoseconds if the strobes have equal loads.
 2. If the asynchronous setup time (= 47) requirements are satisfied, the $\overline{\text{DSACKx}}$ low to data setup time (= 31) and $\overline{\text{DSACKx}}$ low to $\overline{\text{BERR}}$ low setup time (= 48) can be ignored. The data must only satisfy the data in to clock low setup time (= 27) for the following clock cycle, $\overline{\text{BERR}}$ must only satisfy the late $\overline{\text{BERR}}$ low to clock setup time (= 27) for the following clock cycle.
 3. This parameter specifies the maximum allowable skew between $\overline{\text{DSACK0}}$ to $\overline{\text{DSACK1}}$ asserted or $\overline{\text{DSACK1}}$ to $\overline{\text{DSACK0}}$ asserted pattern = 47 must be met by $\overline{\text{DSACK0}}$ and $\overline{\text{DSACK1}}$.
 4. In the absence of $\overline{\text{DSACKx}}$, $\overline{\text{BERR}}$ is an asynchronous input using the asynchronous input setup time (= 47).
 5. $\overline{\text{DBEN}}$ may stay asserted on consecutive write cycles.
 6. Actual value depends on the clock input waveform.
 7. This pattern indicates the minimum high time for $\overline{\text{ECS}}$ and $\overline{\text{OCS}}$ in the event of an internal cache hit followed immediately by a cache miss or operand cycle.
 8. This specification guarantees operations with the 68881 co-processor, and defines a minimum time for DS negated to AS asserted (= 13A). Without this parameter, incorrect interpretation of = 9A and = 15 would indicate that the 68020 does not meet 68881 requirements.
 9. This pattern allows the systems designer to guarantee data hold times on the output side of data buffers that have output enable signals generated with $\overline{\text{DBEN}}$.
 10. Guarantees that an alternate bus master has stopped driving the bus when the 68020 regains control of the bus after an arbitration sequence.
 11. Cannot be tested. Provided for system design purposes only.
 12. T_{case} = -55°C and +130°C in a Power off condition under Thermal soak for 4 minutes or until thermal equilibrium. Electrical parameters are tested "instant on" 100 m sec. after power is applied.
 13. All outputs unload except for load capacitance. Clock = fmax,
 LOW: $\overline{\text{HALT}}$, $\overline{\text{RESET}}$
 HIGH: $\overline{\text{DSACK0}}$, $\overline{\text{DSACK1}}$, $\overline{\text{CDIS}}$, $\overline{\text{IPL0-IPL2}}$, $\overline{\text{DBEN}}$, $\overline{\text{AVEC}}$, $\overline{\text{BERR}}$.

Test Conditions Specific to the Device

Loading Network

The applicable loading network shall be defined in column “Test conditions” of Table 6, referring to the loading network number as shown in Figure 6, Figure 7, Figure 8 below.

Figure 6. RESET Test Loads

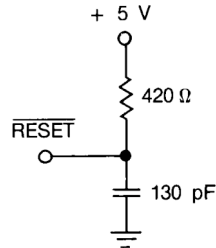


Figure 7. HALT Test Load

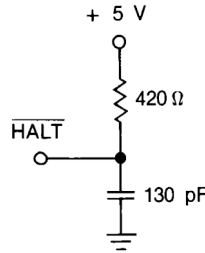


Figure 8. Test Load

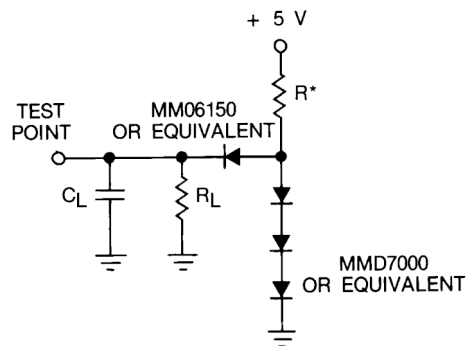


Table 7. Load Network

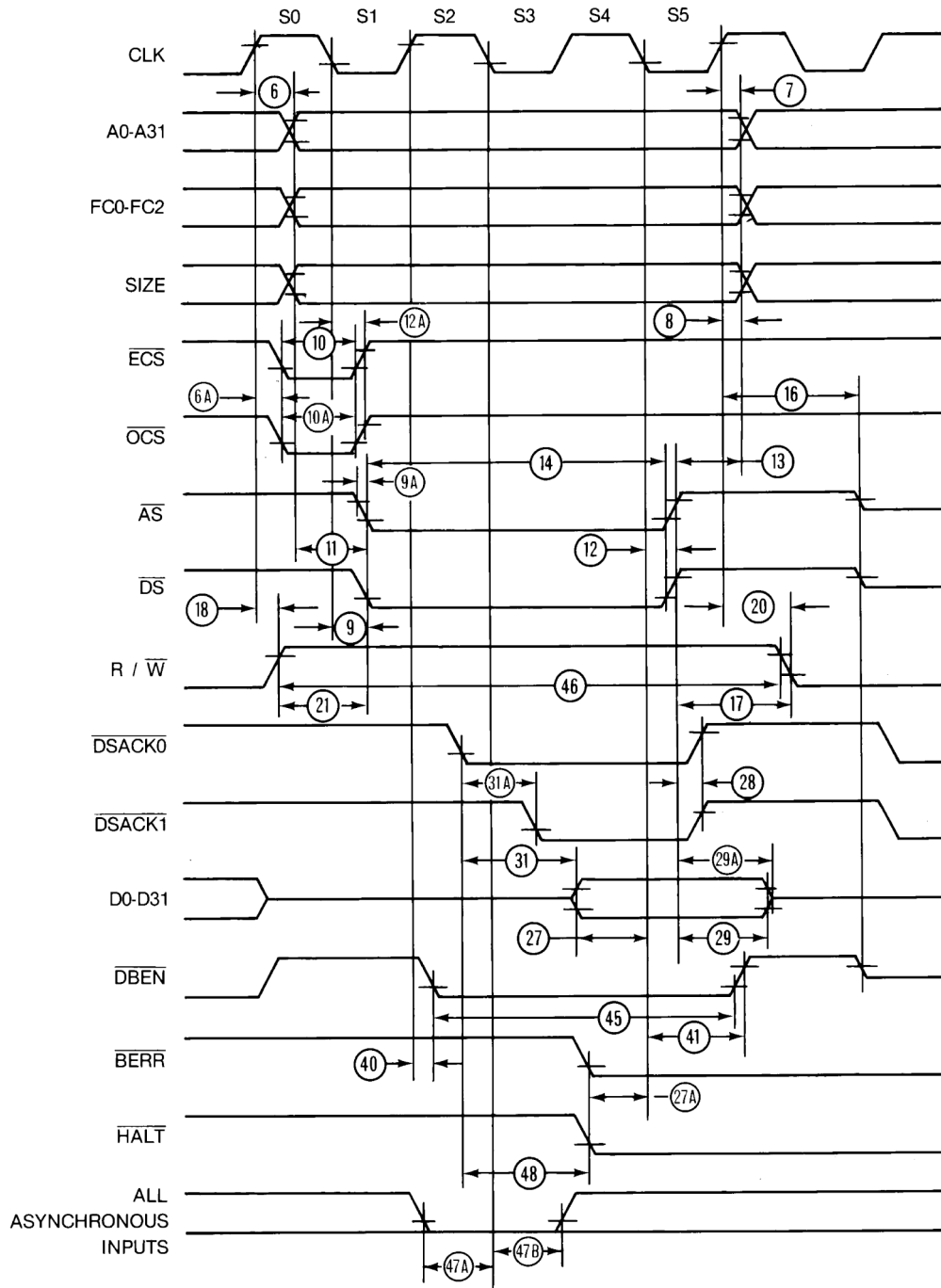
Load NBR	Figure	R	R _L	C _L	Output Application
1	7	2 k	6.0 k	50 pF	\overline{OCS} , \overline{ECS}
2	7	1.22 k	6.0 k	130 pF	A0-A31, D0-D31, \overline{BG} , FC0-FC2, SIZ0-SIZ1
3	7	0.74 k	6.0 k	130 pF	\overline{AS} , \overline{DS} , R/W, \overline{RMC} , \overline{DBEN} , \overline{IPEND}

Note: 1. Equivalent loading may be simulated by the tester.

Time Definitions

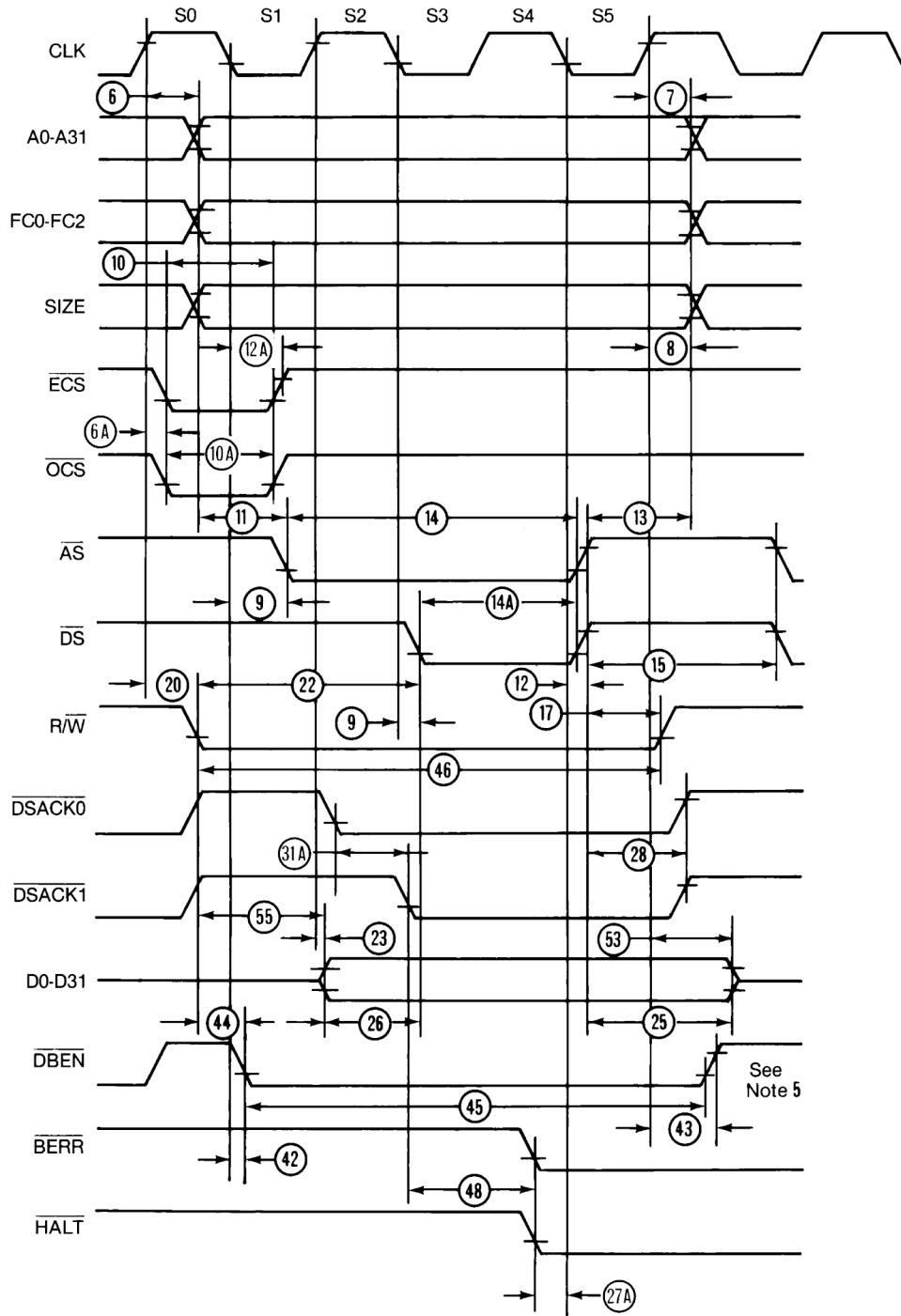
The times specified in Table 6 as dynamic characteristics are defined in Figure 9 below, by a reference number given the column "interval N°" of the tables together with the relevant figure number.

Figure 9. Read Cycle Timing Diagram



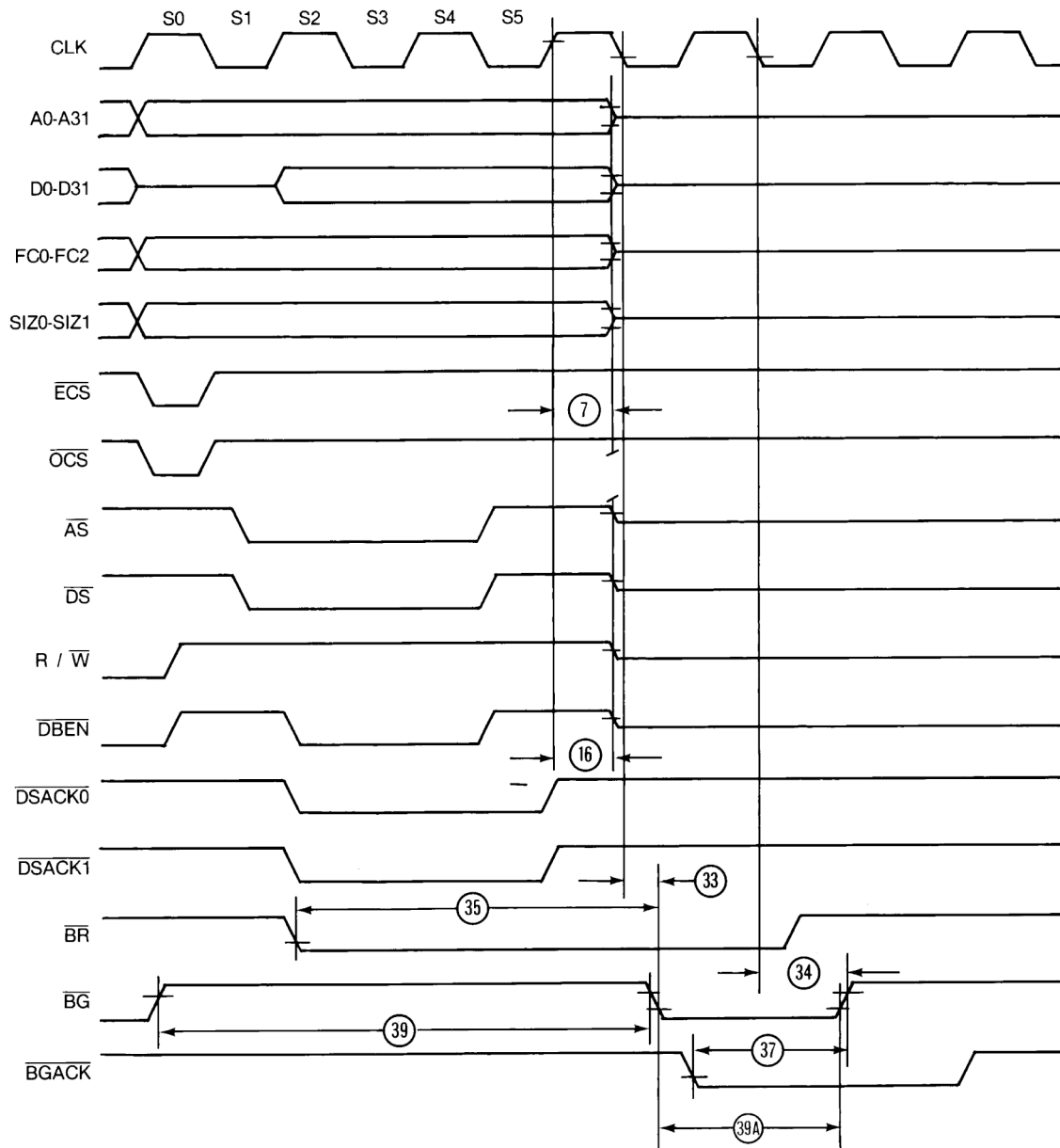
Note: Timing measurements are referenced to and from a low voltage of 0.8V and a high voltage of 2.0V, unless otherwise noted. The voltage swing through this range should start outside and pass through the range such that the rise or fall will be linear between 0.8V and 2.0V.

Figure 10. Write Cycle Timing Diagram (Continued)



Note: Timing measurements are referenced to and from a low voltage of 0.8V and a high voltage of 2.0V, unless otherwise noted. The voltage swing through this range should start outside and pass through the range such that the rise or fall will be linear between 0.8V and 2.0V.

Figure 11. Bus Arbitration Timing Diagram



Note: Timing measurements are referenced to and from a low voltage of 0.8V and a high voltage of 2.0V, unless otherwise noted. The voltage swing through this range should start outside and pass through the range such that the rise or fall will be linear between 0.8V and 2.0V.



Input and Output Signals for Dynamic Measurements

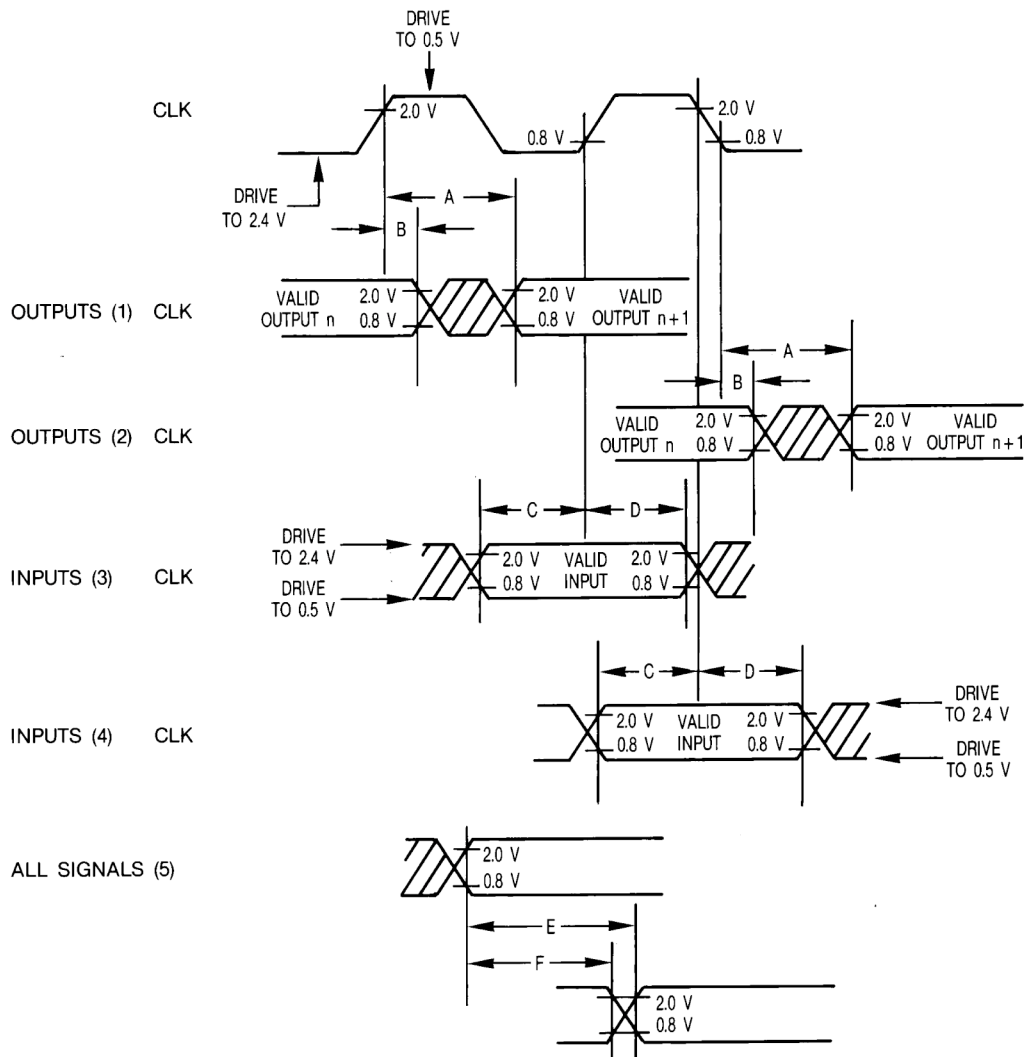
AC Electrical Specifications Definitions

The AC specifications presented consist of output delays, input setup and hold times, and signal skew times. All signals are specified relative to an appropriate edge of the TS68020 clock input and, possibly, relative to one or more other signals.

The measurement of the AC specifications is defined by the waveforms in Figure 12. In order to test the parameters guaranteed by Atmel, inputs must be driven to the voltage levels specified in Figure 12. Outputs of the TS68020 are specified with minimum and/or maximum limits, as appropriate, and are measured as shown. Inputs to the TS68020 are specified with minimum and, as appropriate, maximum setup and hold times, and are measurement as shown. Finally, the measurements for signal-to-signal specification are also shown.

Note that the testing levels used to verify conformance of the TS68020 to the AC specifications does not affect the guaranteed DC operation of the device as specified in the DC electrical characteristics.

Figure 12. Drive Levels and Test Points for AC Specification



Legend:

- A) Maximum Output Delay Specification
- B) Minimum Output Hold Time
- C) Minimum Input Setup Time Specification
- D) Minimum Input Hold Time Specification
- E) Signal Valid to Signal Valid Specification (Maximum or Minimum)
- F) Signal Valid to Signal Invalid Specification (Maximum or Minimum)

- Notes:
1. This output timing is applicable to all parameters specified relative to the rising edge of the clock.
 2. This output timing is applicable to all parameters specified relative to the falling edge of the clock.
 3. This input timing is applicable to all parameters specified relative to the falling edge of the clock.
 4. This input timing is applicable to all parameters specified relative to the falling edge of the clock.
 5. This timing is applicable to all parameters specified relative to the assertion/negation of another signal.

Additional Information

Additional information shall not be for any inspection purposes.

Power Consideration

See Table 4.

Capacitance (Not for Inspection Purposes)

Symbol	Parameter	Test Conditions	Min	Unit
C_{in}	Input Capacitance	$V_{in} = 0V$ $T_{amb} = 25^{\circ}C$ $f = 1\text{ MHz}$	20	pF

Capacitance Derating Curves

Figure 13 to Figure 18 inclusive show the typical derating conditions which apply. The capacitance includes any stray capacitance. The graphs may not be linear outside the range shown.

Figure 13. Address Capacitance Derating Curve

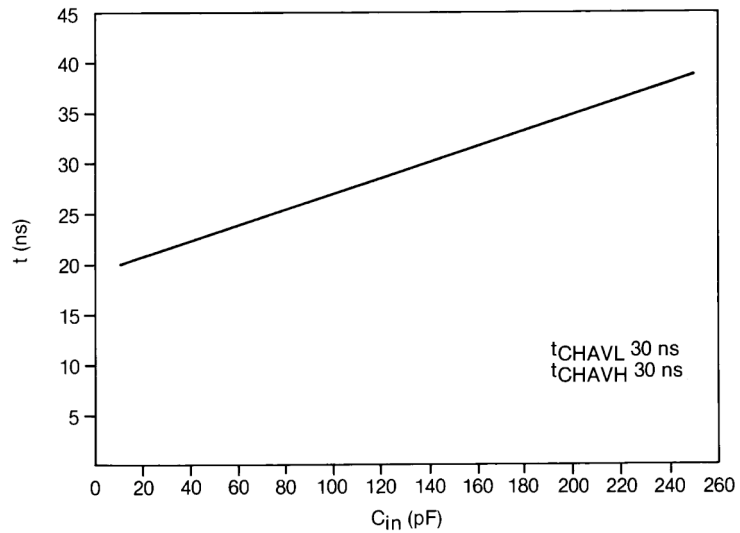


Figure 14. ECS and OCS Capacitance Derating Curve

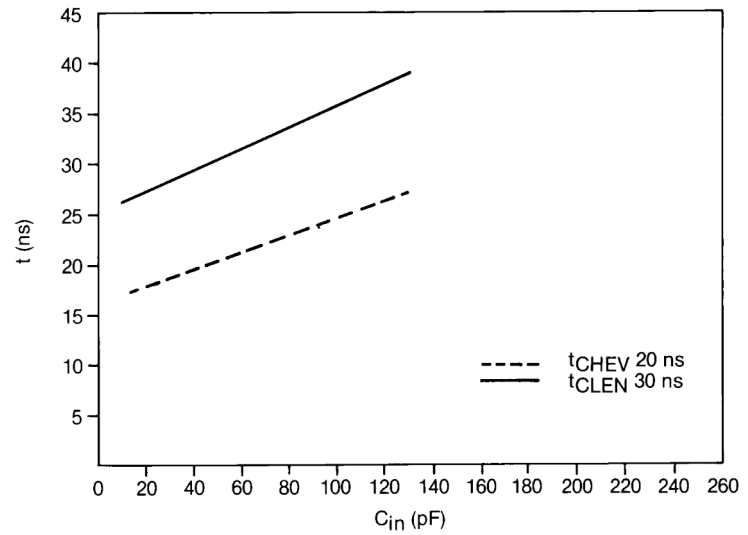


Figure 15. R/W, FC, SIZ0-SIZ1, and RMC Capacitance Derating Curve

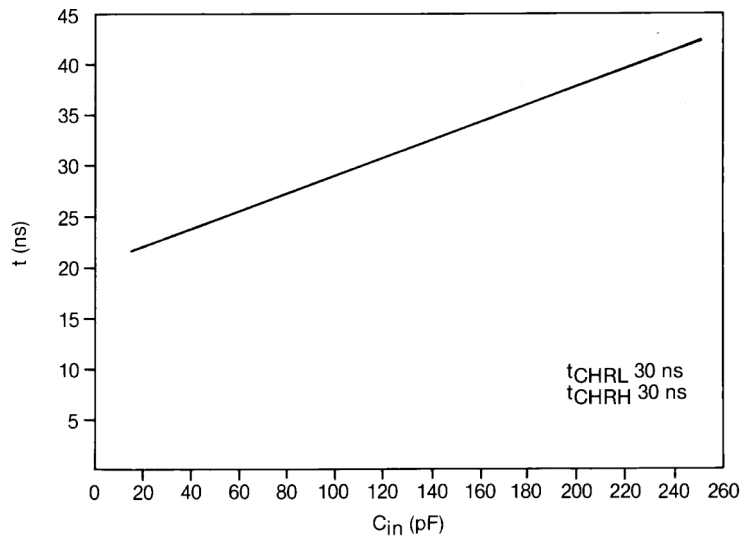


Figure 16. DS, AS, IPEND, and BG Capacitance Derating Curve

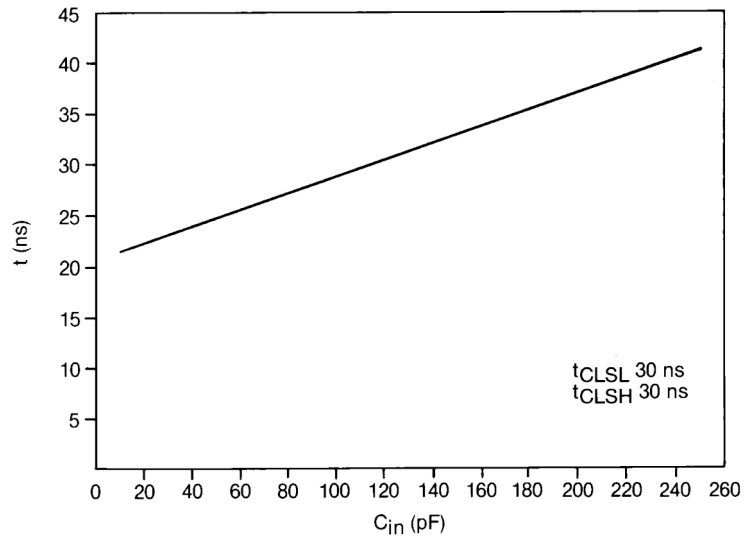


Figure 17. DBEN Capacitance Derating Curve

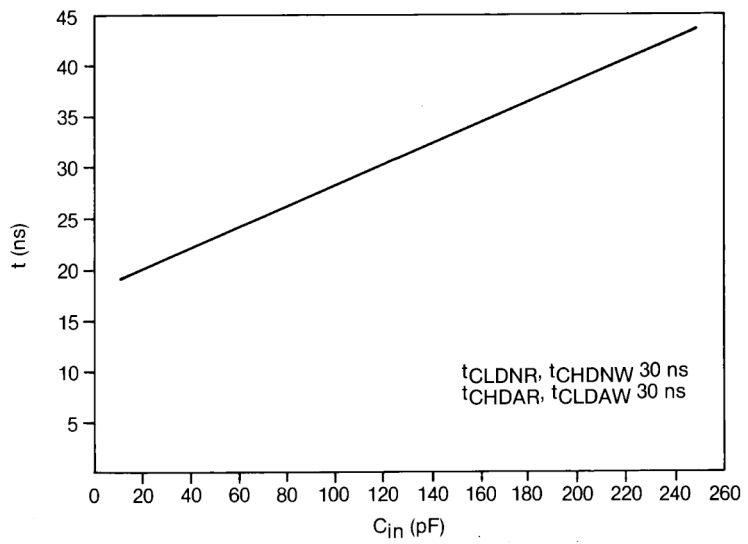
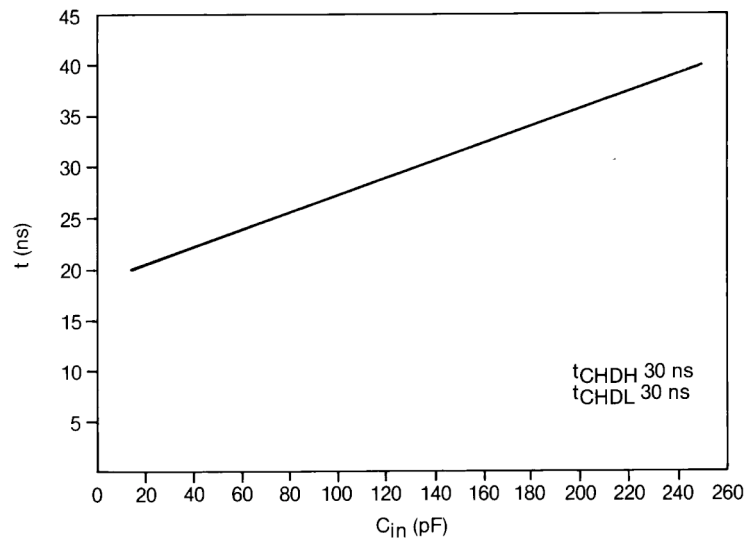


Figure 18. Data Capacitance Derating Curve

Functional Description

Description of Registers

As shown in the programming models (Figure 19 and Figure 20) the TS68020 has sixteen 32-bit general-purpose registers, a 32-bit program counter, two 32-bit supervisor stack pointers, a 16-bit status register, a 32-bit vector base register, two 3-bit alternate function code registers, and two 32-bit cache handling (address and control) registers. Registers D0-D7 are used as data registers for bit and bit field (1- to 32-bit), byte (8-bit), long word (32-bit), and quad word (64-bit) operations. Registers A0-A6 and the user, interrupt, and master stack pointers are address registers that may be used as software stack pointers or base address registers. In addition, the address registers may be used for word and long word operations. All of the 16 (D0-D7, A0-A7) registers may be used as index registers.

The status register (Figure 21) contains the interrupt priority mask (three bits) as well as the condition codes: extend (X), negated (N), zero (Z), overflow (V), and carry (C). Additional control bits indicate that the processor is in the trace mode (T1 or T0), supervisor/user state (S), and master/interrupt state (M).

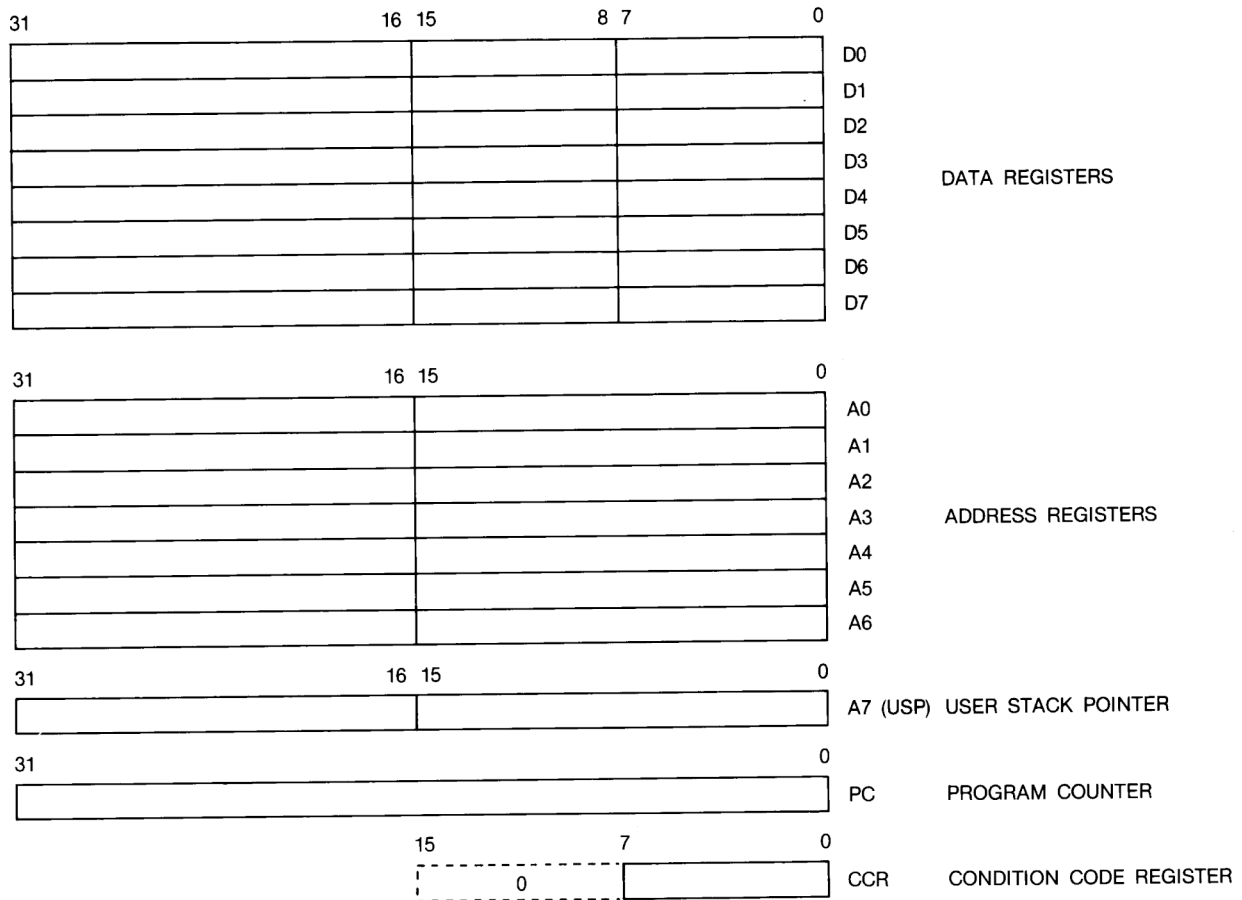
All microprocessors of the TS68000 Family support instruction tracing (via the T0 status bit in the TS68020) where each instruction executed is followed by a trap to a user-defined trace routine. The TS68020 adds the capability to trace only the change of flow instructions (branch, jump, subroutine call and return, etc.) using the T1 status bit. These features are important for software program development and debug.

The vector base register is used to determine the runtime location of the exception vector table in memory, hence it supports multiple vector tables so each process or task can properly manage exceptions independent of each other.

The TS68000 Family processors distinguish address spaces as supervisor / used and program/data. These four combinations are specified by the function code pins (FC0/FC1/FC2) during bus cycles, indicating the particular address space. Using the function codes, the memory sub-system can distinguish between authorized access (supervisor mode is privileged access) and unauthorized access (user mode may not have access to supervisor program or data areas). To support the full privileges of the supervisor, the alternate function code registers allow the supervisor to specify an access to user program or data areas by preloading the SFC/DFC registers appropriately.

The cache registers (control — CACR, address — CAAR) allow software manipulation of the on-chip instruction cache. Control and status accesses to the instruction cache are provided by the cache control register (CACR), while the cache address register (CAAR) holds the address for those cache control functions that require an address.

Figure 19. User Programming Model



The 18 addressing modes, shown in Table 8, include nine basic types:

- Register Direct
- Register Indirect
- Register Indirect with Index
- Memory Indirect
- Program Counter Indirect with Displacement
- Program Counter Indirect with Index
- Program Counter Memory Indirect
- Absolute
- Immediate

The register indirect addressing modes support postincrement, predecrement, offset, and indexing. Programmers find these capabilities particularly useful for handling advanced data structures common to sophisticated applications and high level languages. The program counter relative mode also has index and offset capabilities; programmers find that this addressing mode is required to support position-independent software. In addition to these addressing modes, the TS68020 provides data operand sizing and scaling; these features provide performance enhancements to the programmer.

Table 8. TS68020 Addressing Modes

Addressing Modes	Syntax
Register Direct Data Register Direct Address Register Direct	Dn An
Register Indirect Address Register Indirect Address Register Indirect with Post Increment Address Register Indirect with Predecrement Address Register Indirect with Displacement	(An) (An) + – (An) (d ₁₆ An)
Register Indirect with Index Address Register Indirect with Index (8-bit Displacement) Address Register Indirect with Index (Base Displacement)	(d ₈ , An, Xn) (bd, An, Xn)
Memory Indirect Memory Indirect Post-Indexed Memory Indirect Pre-Indexed	([bd, An], Xn, od) ([bd, An, Xn], od)
Program Counter Indirect with Displacement	(d ₁₆ , PC)
Program Counter Indirect with Index PC Indirect with Index (8-bit Displacement) PC Indirect with Index (Base Displacement)	(d ₈ , PC, Xn) (bd, PC, Xn)
Program Counter Memory Indirect PC Memory Indirect Post-Indexed PC Memory Indirect Pre-Indexed	([bd, PC], Xn, od) ([bd, PC, Xn]), od)

Table 8. TS68020 Addressing Modes (Continued)

Addressing Modes	Syntax
Absolute Absolute Short Absolute Long	xxx.W xxx.L
Immediate	=data

- Notes:
1. Dn = Data Register, D0-D7.
 2. An = Address Register, A0-A7.
 3. d₈, d₁₆ = A two-complement, or sign—extended displacement; added as part of the effective calculation; size is 8 (d₈) or 16 (d₁₆) bits; when omitted assemblers use a value of zero.
 4. Xn = Address or data register used as an index register; form is Xn, SIZE*SCALE, where SIZE is.W or.L (indicates index register size) and SCALE is 1, 2, 4, or 8 (index register is multiplied by SCALE); use of SIZE and/or SCALE is optional.
 5. bd = A two-complement base displacement; when present, size can be 16- or 32-bit.
 6. od = Outer displacement, added as part of effective address calculation after any memory indirection; use is optional with a size of 16- or 32-bit.
 7. PC = Program Counter.
 8. (data) = Immediate value of 8, 16 or 32 bits.
 9. () = Effective Address.
 10. [] = Use as indirect address to long word address.

Instruction Set Overview

The TS68020 instruction set is shown in Table 9. Special emphasis has been given to the instruction set's support of structured high-level languages and sophisticated operating systems. Each instruction, with few exceptions, operates on bytes, words, and long words and most instructions can use any of the 18 addressing modes. Many instruction extensions have been made on the TS68020 to take advantage of the full 32-bit operation where, on the earlier 68000 Family members, only 8 and 16 bits values were used. The TS68020 is upward source- and object-level code compatible with the family because it supports all of the instructions that previous family members offer. Additional instructions are now provided by the TS68020 in support of its advanced features.

Table 9. Instruction Set

Mnemonic	Description
ABCD	Add Decimal with Extend
ADD	Add
ADDA	Add Address
ADDI	Add Immediate
ADDQ	Add Quick
ADDX	Add with Extend
AND	Logical AND
ANDI	Logical AND Immediate
ASL, ASR	Arithmetic Shift Left and Right
Bcc	Branch Conditionally
BCHG	Test Bit and Change
BCLR	Test Bit and Clear
BFCHG	Test Bit Field and Change
BFCLR	Test Bit Field and Clear
BFEXTS	Signed Bit Field Extract
BFEXTU	Unsigned Bit Field Extract
BFFFO	Bit Field Find First One
BFINS	Bit Field Insert
BFSET	Test Bit Field and Set
BFTST	Test Bit Field
BKPT	Breakpoint
BRA	Branch
BSET	Test Bit and Set
BSR	Branch to Subroutine
BTST	Test Bit

Table 9. Instruction Set (Continued)

Mnemonic	Description
CALLM CAS CAS2 CHK CHK2 CLR CMP CMPA CMPI CMPM CMP2	Call Module Compare and Swap Operands Compare and Swap Dual Operands Check Register Against Bound Check Register Against Upper and Lower Bounds Clear Compare Compare Address Compare Immediate Compare Memory to Memory Compare Register Against Upper and Lower Bounds
DBcc DIVS, DIVSL DIVU, DIVUL	Test Condition, Decrement and Branch Signed Divide Unsigned Divide
EOR EORI EXG EXT, EXTB	Logical Exclusive OR Logical Exclusive OR Immediate Exchange Registers Sign Extend
ILLEGAL	Take Illegal Instruction Tape
JMP JSR	Jump Jump to Subroutine
LEA LINK LSL, LSR	Load Effective Address Link and Allocate Logical Shift Left and Right
MOVE MOVEA MOVE CCR MOVE SR MOVE USP MOVEC MOVEM MOVEP MOVEQ MOVES MULS MULU	Move Move Address Move Condition Code Register Move Status Register Move User Stack Pointer Move Control Register Move Multiple Registers Move Peripheral Move Quick Move Alternate Address Space Signed Multiply Unsigned Multiply
NBCD NEG NEGX NOP NOT	Negate Decimal with Extend Negate Negate with Extend No Operation Logical Complement

Table 9. Instruction Set (Continued)

Mnemonic	Description
OR ORI	Logical Inclusive OR Logical Inclusive OR Immediate
PACK PEA	Pack BCD Push Effective Address
RESET ROL, ROR ROXL, ROXR RTD RTE RTM RTR RTS	Reset External Devices Rotate Left and Right Rotate with Extend Left and Right Return and Deallocate Return and Exception Return from Module Return and Restore Codes Return from Subroutine
SBCD Scc STOP SUB SUBA SUBI SUBQ SUBX SWAP	Subtract Decimal with Extend Set Conditionally Stop Subtract Subtract Address Subtract Immediate Subtract Quick Subtract with Extend Swap Register Words
TAS TRAP TRAPcc TRAPV TST	Test Operand and Set Trap Trap Conditionally Trap on Overflow Test Operand
UNLK UNPK	Unlink Unpack BCD
Co-processor Instructions	
cpBCC cpDBcc cpGEN cpRESTORE cpSAVE cpScc cpTRAPcc	Branch Conditionally Test Co-processor Condition, Decrement and Branch Co-processor General Instruction Restore Internal State of Co-processor Save Internal State of Co-processor Set Conditionally Trap Conditionally

Bit Field Operation

The TS68020 supports variable length bit field operations up to 32-bit. A bit field may start in any bit position and span any address boundary for the full length of the bit field, up to the 32-bit maximum. The bit field insert (BFINS) inserts a value into a field. Bit field extract unsigned (BFEXTU) and bit field extract signed (BFEXTS) extract an unsigned or signed value from the field. BFFFO finds the first bit in a bit field that is set. To complement the TS68000 bit manipulation instruction, there are bit field change, clear, set and test instructions (BFCHG, BFCLR, BFSET, BFTST). Using the on-chip barrel shifter, the bit and bit field instructions are very fast and particularly useful in applications using packed bits and bit fields, such as graphics and communications.

Binary Coded Decimal (BCD) Support

The TS68000 Family supports BCD operations including add, subtract, and negation. The TS68020 adds the PACK and UNPACK operations for BCD conversions to and from binary form as well as other conversions, e.g., ASCII and EBCDIC. The PACK instruction reduces two bytes of data into a single byte while UNPACK reverses the operation.

Bounds Checking

Previous 68000 Family members offer variable bounds checking only on the upper limit of the bound. The underlying assumption is that the lower bound is zero. This is expanded on the TS68020 by providing two new instructions, CHK2 and CMP2. These instructions allow checking and comparing of both the upper and lower bounds. These instructions may be either signed or unsigned. The CMP2 instructions sets the condition codes upon completion while the CHK2 instruction, in addition to setting the condition codes, will take a system trap if either boundary condition is exceeded.

System Traps

Three additions have been made to the system trap capabilities of the TS68020. The current TRAPV (trap on overflow) instruction has been expanded to a TRAPcc format where any condition code is allowed to be the trapping condition. And, the TRAPcc instruction is expanded to optionally provide one or two additional words following the trap instruction so user-specified information may be presented to the trap handler. These additional words can be used when needed to provide simple error codes or debug information for interactive runtime debugging or post-mortem program dumps. Compilers may provide direction to run-time execution routines towards handling of specific conditions.

The breakpoint instruction, BKPT, is used to support the program breakpoint function for debug monitors and real-time in-circuit or hardware emulators, and the operation will be dependent on the actual system implementation. Execution of this instruction causes the TS68020 to run a breakpoint acknowledge bus cycle, with a 3-bit breakpoint identifier placed on address lines A2, A3, and A4. This 3-bit identifier permits up to eight breakpoints to be easily differentiated. The normal response to the TS68020 is an operation word (typically an instruction, originally replaced by the debugger with the breakpoint instruction) placed on the data lines by external debugger hardware and the breakpoint acknowledge cycle properly terminated. The TS68020 then executes this operation word in place of the breakpoint instruction. The debugger hardware can count the number of executions of each breakpoint and halt execution after a pre-determined number of cycles.

Multi-processing

To further support multi-processing with the TS68020, a compare and swap instruction, CAS, has been added. This instruction makes use of the read-modify-write cycle to compare two operands and swap a third operand pending the results of the compare. A variant of this instruction, CAS2, performs similarly comparing dual operand pairs, and updating two operands.

These multi-processing operations are useful when using common memory to share or pass data between multiple processing elements. The read-modify-write cycle is an indivisible operand that allows reading and updating a “lock” operand used to control access to the common memory elements. The CAS2 instruction is more powerful since dual operands allow the “lock” to be checked and two values (i.e., both pointers in a doubly-linked list) to be updated according to the lock’s status, all in a single operation.

Module Support

The TS68020 includes support for modules with the call module (CALLM) and return from module (RTM) instructions. The CALLM instruction references a module descriptor. This descriptor contains control information for entry into the associated module. The CALLM instruction creates a module stack frame and stores the module state in that frame. The RTM instruction recovers the previous module state from the stack frame and returns to the calling module.

The module interface also provides a mechanism for finer resolution of access control by external hardware. Although the TS68020 does not interrupt the access control information, it does communicate with external hardware when the access control is to be changed, and relies on the external hardware to verify that the changes are legal.

CALLM and RTM, when used as subroutine calls and returns with proper descriptor formats, cause the TS68020 to perform the necessary actions to verify legitimate access to modules.

Virtual Memory/Machine Concepts

The full addressing range of the TS68020 is 4-Gbyte (4, 294, 967, 296). However, most TS68020 systems implement a smaller physical memory. Nonetheless, by using virtual memory techniques, the system can be made to appear to have a full 4-Gbyte of physical memory available to each user program. These techniques have been used for many years in large mainframe computers and minicomputers. With the TS68020 (as with the TS68010 and TS68012), virtual memory can be fully supported in microprocessor-based systems.

In a virtual memory system, a user program can be written as though it has a large amount of memory available to it when actually only a smaller amount of memory is physically present in the system. In a similar fashion, a system provides user programs access to other devices that are not physically present in the system, such as tape drives, disk drives, printers, or terminals. With proper software emulation, a physical system can be made to appear to a user program as any other 68000 computer system and the program may be given full access to all of the resources of that emulated system. Such an emulator system is called a virtual machine.

Virtual Memory

The basic mechanism for supporting virtual memory is to provide a limited amount of high-speed physical memory that can be accessed directly by the processor while maintaining of a much larger “virtual” memory on secondary storage devices such as large capacity disk drives. When the processor attempts to access a location in the virtual memory map that is not resident in the physical memory (referred to as a page fault), the access to that location is temporarily suspended while the necessary data is fetched from secondary storage and placed in physical memory; the suspended access is then either restarted or continued.

The TS68020 uses instruction continuation to support virtual memory. In order for the TS68020 to use instruction continuation, it stores its internal state on the supervisor stack when a bus cycle is terminated with a bus error signal. It then loads the program counter with the address of the virtual memory bus error handler from the exception vector table (entry number two) and resumes program execution to that new address. When the bus error exception handler routine has completed execution, an RTE instruction is executed which reloads the TS68020 with the internal state stored on the stack, reruns the faulted bus cycle (when required), and continues the suspended instruction.

Instruction continuation is crucial to the support of virtual I/O devices in memory-mapped input/output systems. Since the registers of a virtual device may be simulated in the memory map, an access to such a register will cause a fault and the function of the register can be emulated by software.

Virtual Machine

A typical use for a virtual machine system is the development of software, such as an operating system, for a new machine also under development and not yet available for programming use. In such a system, a governing operating system emulates the hardware of the prototype system and allows the new operating system to be executed and debugged as though it were running on the new hardware. Since the new operating system is controlled by the governing operating system, it is executed at a lower privilege level than the governing operating system. Thus, any attempts by the new operating system to use virtual resources that are not physically present (and should be emulated) are trapped to the governing system and handled by its software. In the TS68020, a virtual machine is fully supported by running the new operating system in the user mode. The governing operating system executes in the supervisor mode and any attempt by the new operating system to access supervisor resources or execute privileged instructions will cause a trap to the governing operating system.

Operand Transfer Mechanism

Though the TS68020 has a full 32-bit data bus, it offers the ability to automatically and dynamically downsize its bus to 8- or 16-bit if peripheral devices are unable to accommodate the entire 32-bit. This feature allows the programmer the ability to write code that is not bus-width specific. For example, long word (32-bit) accesses to peripherals may be used in the code, yet the TS68020 will transfer only the amount of data that the peripheral can manage. This feature allows the peripheral to define its port size as 8-, 16-, or 32-bit wide and the TS68020 will dynamically size the data transfer accordingly, using multiple bus cycles when necessary. Hence, programmers are not required to program for each device port size or know the specific port size before coding; hardware designers have flexibility to choose implementations independent of software prejudices.

This is accomplished through the use of the \overline{DSACK} pins and occurs on a cycle-by-cycle basis. For example, if the processor is executing an instruction that requires the reading of a long word operand, it will attempt to read 32-bit during the first bus cycle to a long word address boundary. If the port responds that it is 32-bit wide, the TS68020 latches all 32-bit of data and continues. If the port responds that it is 16-bit wide, the TS68020 latches 16 valid bits of data and runs another cycle to obtain the other 16-bit of data. An 8-bit port is handled similarly by with four bus read cycles. Each port is fixed in assignment to particular sections of the data bus.

Justification of data on the bus is handled automatically by dynamic bus sizing. When reading 16-bit data from a 32-bit port, the data may appear on the top or bottom half of the bus, depending on the address of the data. The TS68020 determines which portion of the bus is needed to support the transfer and dynamically adjusts to read or write the data on those data lines.



The TS68020 will always transfer the maximum amount of data on all bus cycles; i.e., it always assumes the port is 32-bit wide when beginning the bus cycle. In addition, the TS68020 has no restrictions concerning alignment of operands in memory; long word operands need not be aligned on long word address boundaries. When misaligned data requires multiple bus cycles, the TS68020 aligned data requires multiple bus cycles, the TS68020 automatically runs the minimum number of bus cycles.

The Co-processor Concept

The co-processor interface is a mechanism for extending the instruction set of the TS68000 Family. Examples of these extensions are the addition of specialized data operands for the existing data types or, for the case of the floating point, the inclusion of new data types and operations for them as implemented by the TS68881 and TS68882 floating point co-processors.

The programmer's model for the TS68000 Family of microprocessors is based on sequential, non-concurrent instruction execution. This means each instruction is completely executed prior to the beginning of the next instruction. Hence, instructions do not operate concurrently in the programmer's model. Most microprocessors implement the sequential model which greatly simplifies the programmer responsibilities since sequencing control is automatic and discrete.

The TS68000 co-processor interface is designed to extend the programmer's model and it provides full support for the sequential, non-concurrent instruction execution model. Hence, instruction execution by the co-processor is assumed to not overlap with instruction execution with the main microprocessor. Yet, the TS68000 co-processor interface does allow concurrent operation when concurrency can be properly accommodated. For example, the TS68881 or TS68882 floating-point co-processor will allow the TS68020 to proceed executing instruction while the co-processor continues a floating-point operation, up to the point that the TS68020 sends another request to the co-processor. Adhering to the sequential execution model, the request to the co-processor continues a floating-point operation, up to the co-processor completes each TS68881 and TS68882 instruction before it starts the next, and the TS68020 is allowed to proceed as it can in a concurrent fashion.

co-processors are divided into two types by their bus utilization characteristics. A co-processor is a DMA co-processor if it can control the bus independent of the main processor. A co-processor is a non-DMA co-processor if it does not have the capability of controlling the bus. Both co-processor types utilize the same protocol and main processor resources. Implementation of a co-processor as a DMA or non-DMA type is based primarily on bus bandwidth of the co-processor, performance, and cost issues.

The communication protocol between the main processor and the co-processor necessary to execute a co-processor instruction is based on a group of co-processor interface registers (Table 10) which are defined for the TS68000 Family co-processor interface. The TS68020 hardware uses standard TS68000 asynchronous bus cycles to access the registers. Thus, the co-processor doesn't require a special bus hardware; the bus interface implemented by a co-processor for its interface register set must only satisfy the TS68020 address, data, and control signal timing to guarantee proper communication with the main processor. The TS68020 implements the communication protocol with all co-processors in hardware (and microcode) and handles all operations automatically so the programmer is only concerned with the instructions and data types provided by the co-processor as extensions to the TS68020 instruction set and data types.

Other microprocessors in the TS68000 Family can operate any TS68000 co-processor even though they may not have the hardware implementation of the co-processor interface as does the TS68020. Since the co-processor is operated through the co-processor interface registers which are accessed via normal asynchronous bus cycles, the co-processor may be used as a peripheral device. Software easily emulates the communication protocol by addressing the co-processor interface registers appropriately and passing the necessary commands and operands required by the co-processor.

The co-processor interface registers are implemented by the co-processor in addition to those registers implemented as extensions to the TS68020 programmer's model. For example, the TS68881 implements the co-processor interface registers shown in Table 10 and the registers in the programming model, including eight 80-bit floating-point data registers and three 32-bit control/status registers used by the TS68881 programmer.

Table 10. Co-processor Interface Registers

Register	Function	R/W
Response	Requests Action from CPU	R
Control	CPU	W
Save	Initiate Save of Internal State	R
Restore	Initiate Restore of Internal State	R/W
Operation Word	Current Co-processor Instruction	W
Command Word	Co-processor Specific Command	W
Condition Word	Condition to be Evaluated	W
Operand	32-bit Operand	R/W
Register Select	Specifies CPU Register or Mask	R
Instruction Address	Pointer to Co-processor Instruction	R/W
Operand Address	Pointer to Co-processor Operand	R/W

Table 11. Co-processor Primitives

Processor Synchronization Busy with Current Instruction Proceed with Next Instruction, If No Trace Service Interrupts and Re-query, If Trace Enable Proceed with Execution, Condition True/False
Instruction Manipulation Transfer Operation Word Transfer Words from Instruction Stream
Exception Handling Take Privilege Violation if S Bit Not Set Take Pre-Instruction Exception Take Mid-Instruction Exception Take Post-Instruction Exception

Table 11. Co-processor Primitives (Continued)

<p>General Operand Transfer</p> <ul style="list-style-type: none"> Evaluate and Pass (Ea.) Evaluate (Ea.) and Transfer Data Write to Previously Evaluated (Ea.) Take Address and Transfer Data Transfer to/from Top of Stack
<p>Register Transfer</p> <ul style="list-style-type: none"> Transfer CPU Register Transfer CPU Control Register Transfer Multiple CPU Registers Transfer Multiple Co-processor Registers Transfer CPU SR and/or ScanPC

Up to eight processors are supported in a single system with a system-unique co-processor identifier encoded in the co-processor instruction. When accessing a co-processor, the TS68020 executes standard read and write bus cycle in CPU address space, as encoded by the function codes, and places the co-processor identifier on the address bus to be used by chip-select logic to select the particular co-processor. Since standard bus cycle are used to access the co-processor, the co-processor may be located according to system design requirements, whether it be located on the micro-processor local bus, on another board on the system bus, or any other place where the chip-select and co-processor protocol using standard TS68000 bus cycles can be supported.

Co-processor Protocol

Interprocessor transfers are all initiated by the main processor during co-processor instruction execution. During the processing of a co-processor instruction, the main processor transfers instruction information and data to the associated co-processor, and receives data, requests, and status information from the co-processor. These transfers are all based on the TS68000 bus cycles.

The typical co-processor protocol which the main processor follows is:

- a) The main processor initiates the communications by writing command information to a location in the co-processor interface.
- b) The main processor reads the co-processor response to that information.
 - 1) The response may indicate that the co-processor is busy, and the main processor should again query the co-processor. This allows the main processor and co-processor to synchronize their concurrent operations.
 - 2) The response may indicate some exception condition; the main processor acknowledges the exception and begins exception processing.
 - 3) The response may indicate that the co-processor needs the main processor to perform some service such as transferring data to or from the co-processor. The co-processor may also request that the main processor query the co-processor again after the service is complete.
 - 4) The response may indicate that the main processor is not needed for further processing of the instruction. The communication is terminated, and the main processor is free to begin execution of the next instruction. At this point in the co-processor protocol, as the main processor continues to execute the instruction stream, the main processor may operate concurrently with the co-processor.

When the main processor encounters the next co-processor instruction, the main processor queries the co-processor until the co-processor is ready; meanwhile, the main processor can go on to service interrupts and do a context switch to execute other tasks, for example.

Each co-processor instruction type has specific requirements based on this simplified protocol. The co-processor interface may use as many extension words as requires to implement a co-processor instruction.

Primitives/Response

The response register is the means by which the co-processor communicates service requests to the main processor. The content of the co-processor response register is a primitive instruction to the main processor which is read during co-processor communication by the main processor. The main processor “executes” this primitive, thereby providing the services requires by the co-processor. Table 11 summarizes the co-processor primitives that the TS68020 accepts.

Exceptions

Kinds of Exceptions

Exception can be generated by either internal or external causes. The externally generated exceptions are the interrupts, the bus error, and reset requests. The interrupts are requests from peripheral devices for processor action while the bus error and reset pins are used for access control and processor restart. The internally generated exceptions come from instructions, address errors, tracing, or breakpoints. The TRAP, TRAPcc, TRAPV, cpTRAPcc, CHK, CHK2, and DIV instructions can all generate exceptions as part of their execution. Tracing behaves like a very high priority, internally generated interrupt whenever it is processed. The other internally generated exceptions are caused by illegal instructions, instruction fetches from odd addresses, and privilege violations.

Exception Processing Sequence

Exception processing occurs in four steps. During the first step, an internal copy is made of the status register. After the copy is made, the special processor state bits in the status register are changed. The S bit is set, putting the processor into supervisor privilege state. Also, the T1 and T0 bits are negated, allowing the exception handler to execute unhindered by tracing. For the reset and interrupt exceptions, the interrupt priority mask is also updated.

In the second step, the vector number of the exception is determined. For interrupts, the vector number is obtained by a processor read that is classified as an interrupt acknowledge cycle. For co-processor detected exceptions, the vector number is included in the co-processor exception primitive response. For all other exceptions, internal logic provides the vector number. This vector number is then used to generate the address of the exception vector.

The third step is to save the current processor status. The exception stack frame is created and filled on the supervisor stack. In order to minimize the amount of machine state that is saved, various stack frame sizes are used to contain the processor state depending on the type of exception and where it occurred during instruction execution. If the exception is an interrupt and the M bit is on, the M bit is forced off, and a short four word exception stack frame is saved on the master stack which indicates that the exception is saved on the interrupt stack. If the exception is a reset, the M bit is simply forced off, and the reset vector is accessed.

The TS68020 provides an extension to the exception stacking process. If the M bit in the status register is set, the master stack pointer (MSP) is used for all task related exceptions. When a non-task exception occurs (i.e., an interrupt), the M bit is cleared and the interrupt stack pointer (ISP) is used. This feature allows all the task's stack area to be carried within a single processor control block and new tasks may be initiated by simply reloading the master stack pointer and setting the M bit.

The fourth and last step of the exception processing is the same for all exceptions. The exception vector offset is determined by multiplying the vector number by four. This offset is then added to the contents of the vector base register (VBR) to determine the memory address of the exception vector. The new program counter value is fetched from the exception vector. The instruction at the address given in the exception vector is fetched, and the normal instruction decoding and execution is started.

On-chip Instruction Cache

Studies have shown that typical programs spend most of their execution time in a few main routines or tight loops. This phenomenon is known as locality of reference, and has an impact on performance of the program. The TS68020 takes limited advantage of this phenomenon in the form of its loop mode operation which allows certain instructions, when coupled with the DBcc instruction, to execute without the overhead of instruction fetches. In effect, this is a three word cache. Although the cache hardware has been supplied in a full range of computer systems for many years, technology now allows this feature to be integrated into the microprocessor.

TS68020 Cache Goals

There were two primary goals for the TS68020 microprocessor cache. The first design goal was to reduce the processor external bus activity. In a given TS68000 system, the TS68000 processor will use approximately 80 to 90 percent (for greater) of the available bus bandwidth. This is due to its extremely efficient perfecting algorithm and the overall speed of its internal architecture design. Thus, in an TS68000 system with more than one bus master (such as a processor and DMA device) or in a multiprocessor system, performance degradation can occur due to lack of available bus bandwidth. Therefore, an important goal for an TS68020 on-chip cache was to provide a substantial increase in the total available bus bandwidth.

The second primary design goal was to increase effective CPU throughput as larger memory sizes or slower memories increased average access time. By placing a high speed cache between the processor and the rest of the memory system, the effective access time now becomes:

$$t_{ACC} = h \cdot t_{CACHE} + (1 - h) \cdot t_{ext}$$

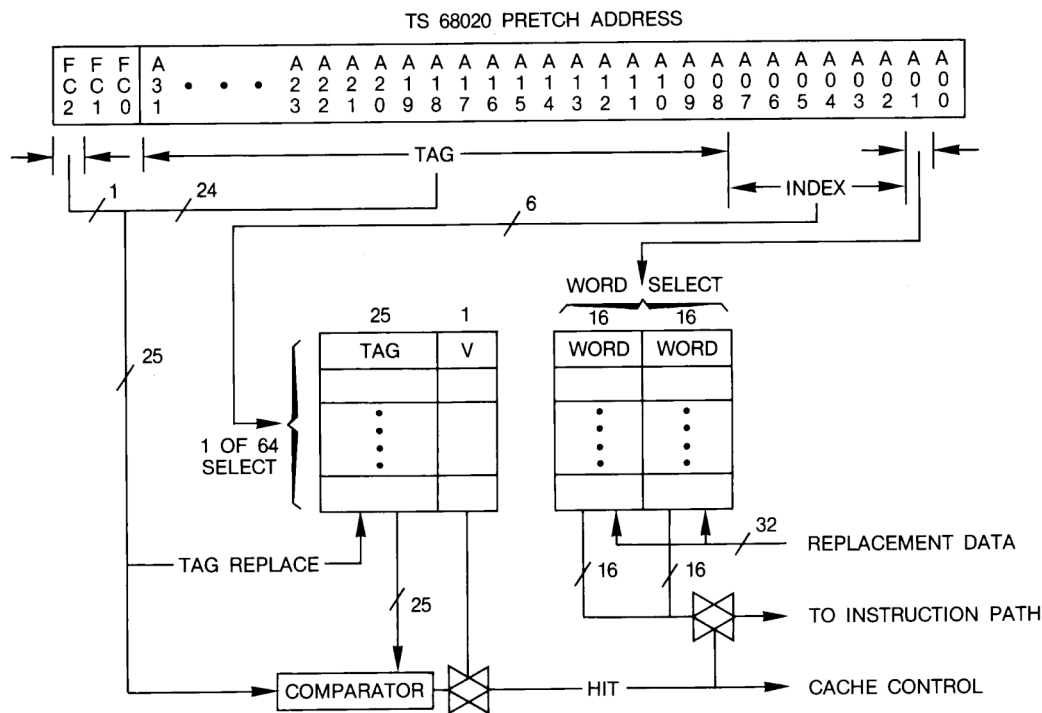
where t_{ACC} is the effective system access time, t_{CACHE} is the cache access time, t_{ext} is the access time of the rest of the system, and h is the hit ratio or the percentage of time that the data is found in the cache. Thus, for a given system design, an TS68020 on-chip cache provides a substantial CPU performance increase, or allows much slower and less expensive memories to be used for the same processor performance.

The throughput increase in the TS68020 is gained in two ways. First, the TS68020 cache is accessed in two clock cycles versus the three cycles (minimum) required for an external access. Any instruction fetch that is currently resident in the cache will provide a 33% improvement over the corresponding external access.

Second, and probably the most important benefit of the cache, is that it allows instruction stream fetches and operand accesses to proceed in parallel. For example, if the TS68020 requires both an instruction stream access and an operand access, and the instruction is resident in the cache, the operand access will proceed unimpeded rather than being queued behind the instruction fetch. Similarly, the TS68020 is fully capable of executing several internal instructions (instructions that do not require the bus) while completing an operand access for another instruction.

The TS68020 instruction cache is a 256-byte direct mapped cache organized as 64 long word entries. Each cache entry consists of a tag field made up of the upper 24 address bits, the FC2 (user/supervisor) value, one valid bit, and 32-bit of instruction data (Figure 22).

Figure 22. TS68020 On-chip Cache Organization



The TS68020 employs a 32-bit data bus and fetches instructions on long word address boundaries. Hence, each 32-bit instruction fetch brings in two 16-bit instruction words which are then written into the on-chip cache. When the cache is enabled, the subsequent prefetch will find the next 16-bit instruction word is already present in the cache and the related bus cycle is saved. If the cache were not enabled, the subsequent prefetch will find the bus controller still holds the full 32-bit and can satisfy the prefetch and again save the related bus cycle. So, even when the on-chip instruction cache is not enabled, the bus controller provides an instruction "cache hit" rate up to 50%.

Preparation for Delivery

Certificate of Compliance Atmel offers a certificate of compliance with each shipment of parts, affirming the products are in compliance with MIL-STD-883 and guaranteeing the parameters are tested at extreme temperatures for the entire temperature range.

Handling

MOS devices must be handled with certain precautions to avoid damage due to accumulation of static charge. Input protection devices have been designed in the chip to minimize the effect of this static buildup. However, the following handling practices are recommended:

- a) Device should be handled on benches with conductive and grounded surface.
- b) Ground test equipment, tools and operator
- c) Do not handle devices by the leads.
- d) Store devices in conductive foam or carriers.
- e) Avoid use of plastic, rubber, or silk in MOS areas.
- f) Maintain relative humidity above 50%, if practical.

Package Mechanical Data

Figure 23. 114-lead - Ceramic Pin Grid Array

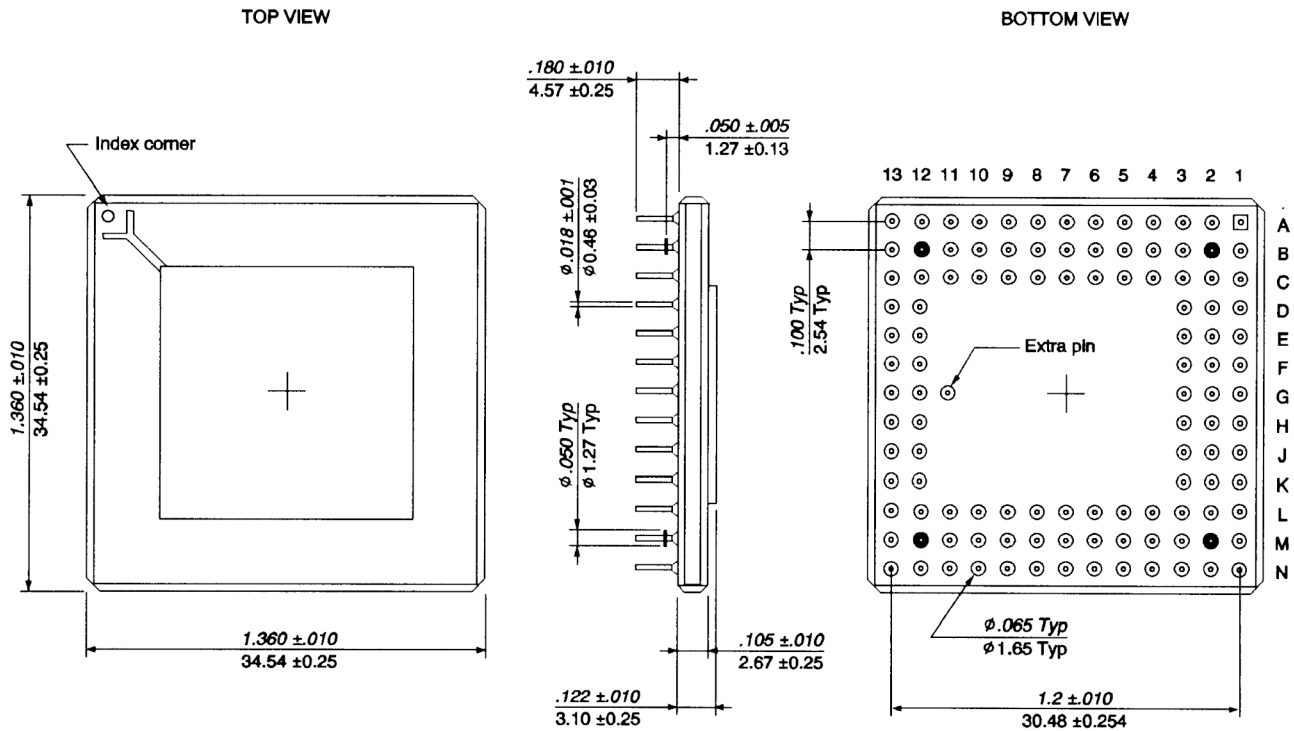
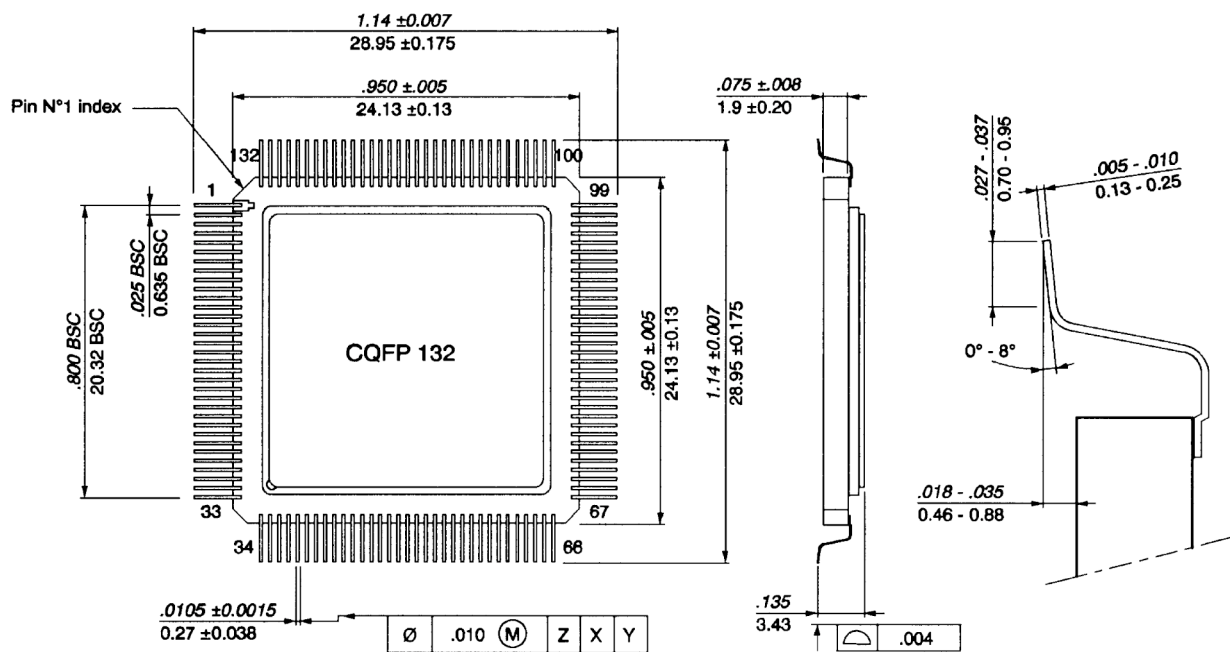


Figure 24. 132 Pins - Ceramic Quad Flat Pack





Mass

PGA 114 - 6 grams typically
CQFP 132 - 14 grams typically

**Terminal
Connections**

**114-lead - Ceramic Pin
Grid Array** See Figure 2.

**132-lead - Ceramic Quad
Flat Pack** See Figure 3.

Ordering Information

Hi-REL Product

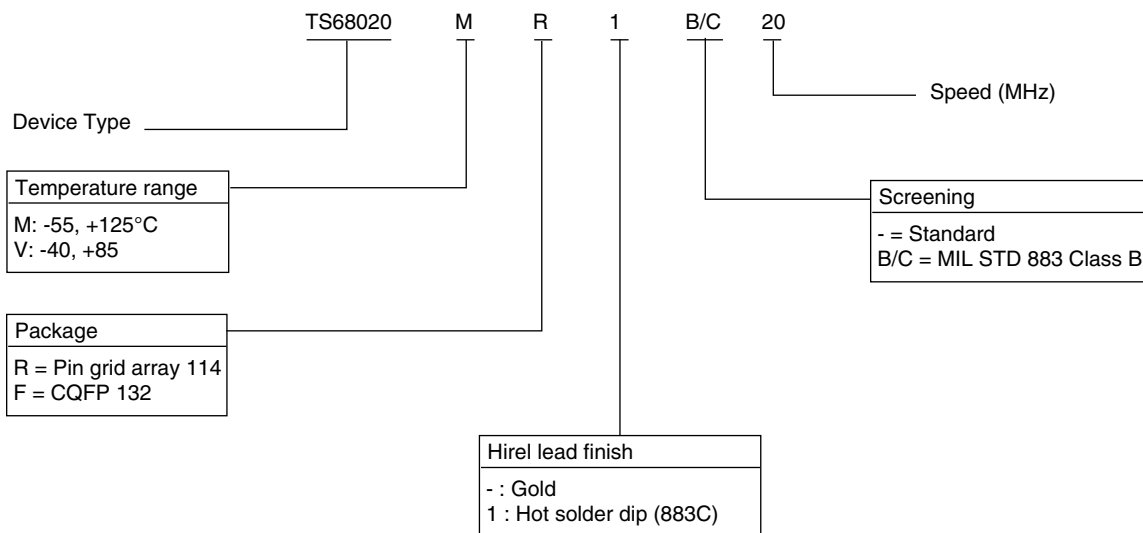
Commercial Atmel Part-Number	Norms	Package	Temperature Range T _c (°C)	Frequency (MHz)	Drawing Number
TS68020MRB/C16	MIL-STD-883	PGA 114	-55/+125	16.67	-
TS68020MR1B/C16	MIL-STD-883	PGA 114/tin	-55/+125	16.67	-
TS68020MRB/C20	MIL-STD-883	PGA 114	-55/+125	20	-
TS68020MR1B/C20	MIL-STD-883	PGA 114/tin	-55/+125	20	-
TS68020MRB/C25	MIL-STD-883	PGA 114	-55/+125	25	-
TS68020MR1B/C25	MIL-STD-883	PGA 114/tin	-55/+125	25	-
TS68020MFB/C16	MIL-STD-883	CQFP 132	-55/+125	16.67	-
TS68020MF1B/C16	MIL-STD-883	CQFP 132/tin	-55/+125	16.67	-
TS68020MFB/C20	MIL-STD-883	CQFP 132	-55/+125	20	-
TS68020MF1B/C20	MIL-STD-883	CQFP 132/tin	-55/+125	20	-
TS68020MFB/C25	MIL-STD-883	CQFP 132	-55/+125	25	-
TS68020MF1B/C25	MIL-STD-883	CQFP 132/tin	-55/+125	25	-
TS68020DESC02XA	DESC	PGA 114/tin	-55/+125	16.67	5962-8603202XA
TS68020DESC03XA	DESC	PGA 114/tin	-55/+125	20	5962-8603203XA
TS68020DESC04XA	DESC	PGA 114/tin	-55/+125	25	5962-8603204XA
TS68020DESC02XC	DESC	PGA 114	-55/+125	16.67	5962-8603202XC
TS68020DESC03XC	DESC	PGA 114	-55/+125	20	5962-8603203XC
TS68020DESC04XC	DESC	PGA 114	-55/+125	25	5962-8603204XC
TS68020DESC02YA	DESC	CQFP 132/tin	-55/+125	16.67	5962-8603202YA
TS68020DESC03YA	DESC	CQFP 132/tin	-55/+125	20	5962-8603203YA
TS68020DESC04YA	DESC	CQFP 132/tin	-55/+125	25	5962-8603204YA
TS68020DESC02YC	DESC	CQFP 132	-55/+125	16.67	5962-8603202YC
TS68020DESC03YC	DESC	CQFP 132	-55/+125	20	5962-8603203YC
TS68020DESC04YC	DESC	CQFP 132	-55/+125	25	5962-8603204YC

Standard Product

Commercial Atmel Part-Number	Norms	Package	Temperature Range T _c (°C)	Frequency (MHz)	Drawing Number
TS68020VR16	Internal Standard	PGA 114	-40/+85	16.67	Internal
TS68020VR20	Internal Standard	PGA 114	-40/+85	20	Internal
TS68020VR25	Internal Standard	PGA 114	-40/+85	25	Internal
TS68020MR16	Internal Standard	PGA 114	-55/+125	16.67	Internal
TS68020MR20	Internal Standard	PGA 114	-55/+125	20	Internal
TS68020MR25	Internal Standard	PGA 114	-55/+125	25	Internal

Standard Product

Commercial Atmel Part-Number	Norms	Package	Temperature Range T _c (°C)	Frequency (MHz)	Drawing Number
TS68020VF16	Internal Standard	CQFP 132	-40/+85	16.67	Internal
TS68020VF120	Internal Standard	CQFP 132	-40/+85	20	Internal
TS68020VF25	Internal Standard	CQFP 132	-40/+85	25	Internal
TS68020MF16	Internal Standard	CQFP 132	-55/+125	16.67	Internal
TS68020MF20	Internal Standard	CQFP 132	-55/+125	20	Internal
TS68020MF25	Internal Standard	CQFP 132	-55/+125	25	Internal



Note: For availability of the different versions, contact your Atmel sales office.



Atmel Headquarters

Corporate Headquarters

2325 Orchard Parkway
San Jose, CA 95131
TEL 1(408) 441-0311
FAX 1(408) 487-2600

Europe

Atmel Sarl
Route des Arsenaux 41
Case Postale 80
CH-1705 Fribourg
Switzerland
TEL (41) 26-426-5555
FAX (41) 26-426-5500

Asia

Room 1219
Chinachem Golden Plaza
77 Mody Road Tsimhatsui
East Kowloon
Hong Kong
TEL (852) 2721-9778
FAX (852) 2722-1369

Japan

9F, Tonetsu Shinkawa Bldg.
1-24-8 Shinkawa
Chuo-ku, Tokyo 104-0033
Japan
TEL (81) 3-3523-3551
FAX (81) 3-3523-7581

Atmel Operations

Memory

2325 Orchard Parkway
San Jose, CA 95131
TEL 1(408) 441-0311
FAX 1(408) 436-4314

Microcontrollers

2325 Orchard Parkway
San Jose, CA 95131
TEL 1(408) 441-0311
FAX 1(408) 436-4314

La Chantrerie
BP 70602
44306 Nantes Cedex 3, France
TEL (33) 2-40-18-18-18
FAX (33) 2-40-18-19-60

ASIC/ASSP/Smart Cards

Zone Industrielle
13106 Rousset Cedex, France
TEL (33) 4-42-53-60-00
FAX (33) 4-42-53-60-01

1150 East Cheyenne Mtn. Blvd.
Colorado Springs, CO 80906
TEL 1(719) 576-3300
FAX 1(719) 540-1759

Scottish Enterprise Technology Park
Maxwell Building
East Kilbride G75 0QR, Scotland
TEL (44) 1355-803-000
FAX (44) 1355-242-743

RF/Automotive

Theresienstrasse 2
Postfach 3535
74025 Heilbronn, Germany
TEL (49) 71-31-67-0
FAX (49) 71-31-67-2340

1150 East Cheyenne Mtn. Blvd.
Colorado Springs, CO 80906
TEL 1(719) 576-3300
FAX 1(719) 540-1759

Biometrics/Imaging/Hi-Rel MPU/ High Speed Converters/RF Datacom

Avenue de Rochepleine
BP 123
38521 Saint-Egreve Cedex, France
TEL (33) 4-76-58-30-00
FAX (33) 4-76-58-34-80

e-mail

literature@atmel.com

Web Site

<http://www.atmel.com>

© Atmel Corporation 2002.

Atmel Corporation makes no warranty for the use of its products, other than those expressly contained in the Company's standard warranty which is detailed in Atmel's Terms and Conditions located on the Company's web site. The Company assumes no responsibility for any errors which may appear in this document, reserves the right to change devices or specifications detailed herein at any time without notice, and does not make any commitment to update the information contained herein. No licenses to patents or other intellectual property of Atmel are granted by the Company in connection with the sale of Atmel products, expressly or by implication. Atmel's products are not authorized for use as critical components in life support devices or systems.

ATMEL® is the registered trademark of Atmel.

Other terms and product names may be the trademarks of others.



Printed on recycled paper.

Copyright © Each Manufacturing Company.

All Datasheets cannot be modified without permission.

This datasheet has been download from :

www.AllDataSheet.com

100% Free DataSheet Search Site.

Free Download.

No Register.

Fast Search System.

www.AllDataSheet.com