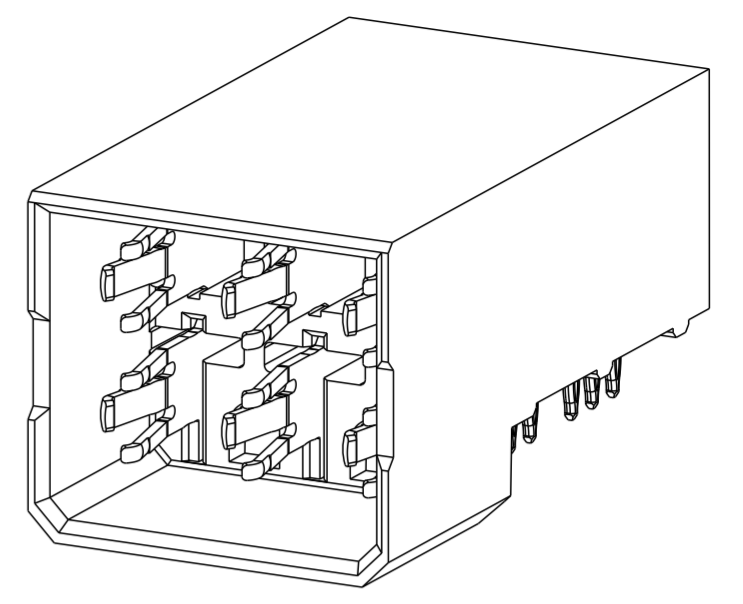
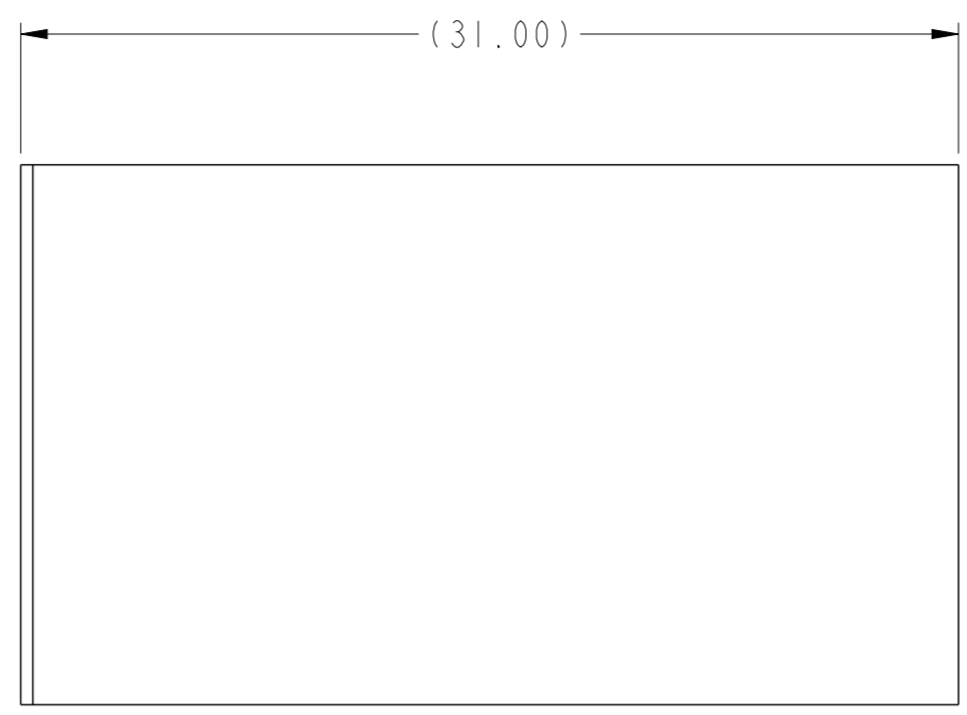
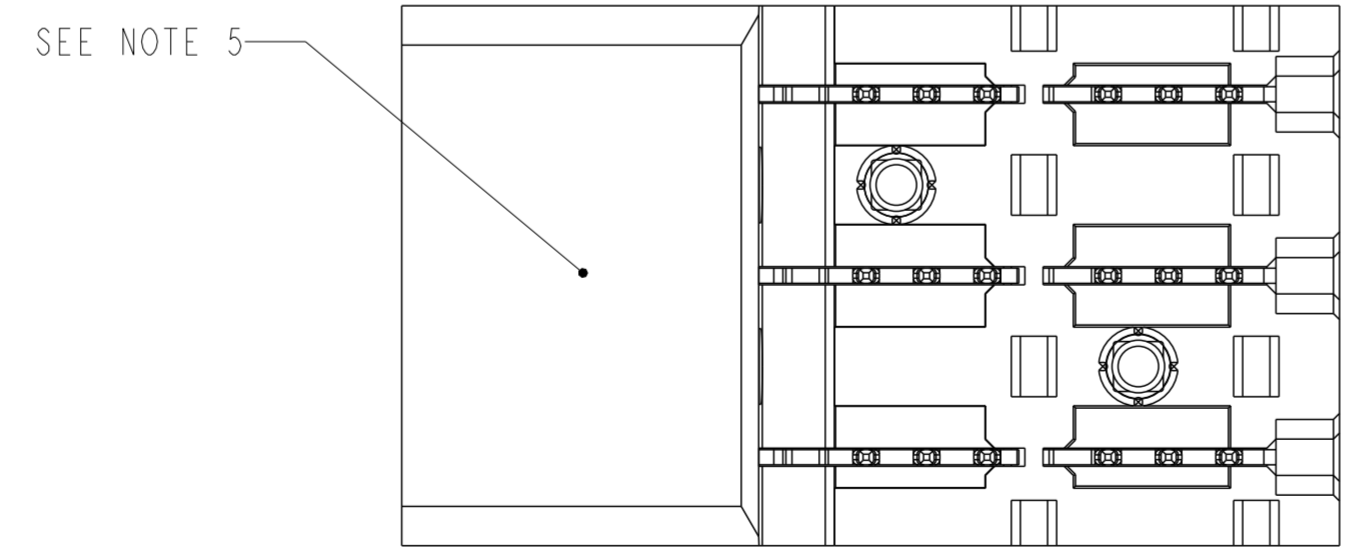
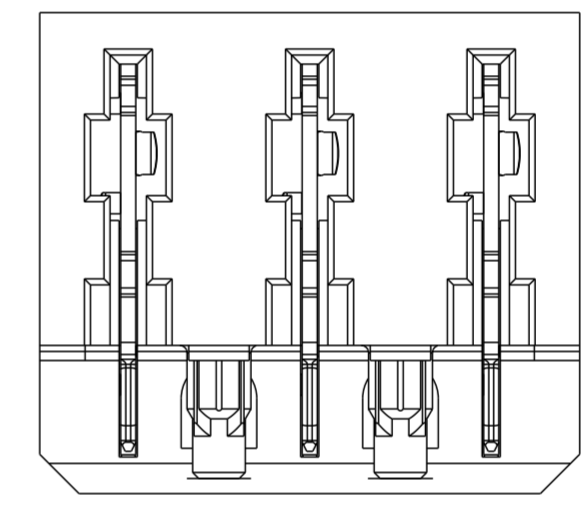
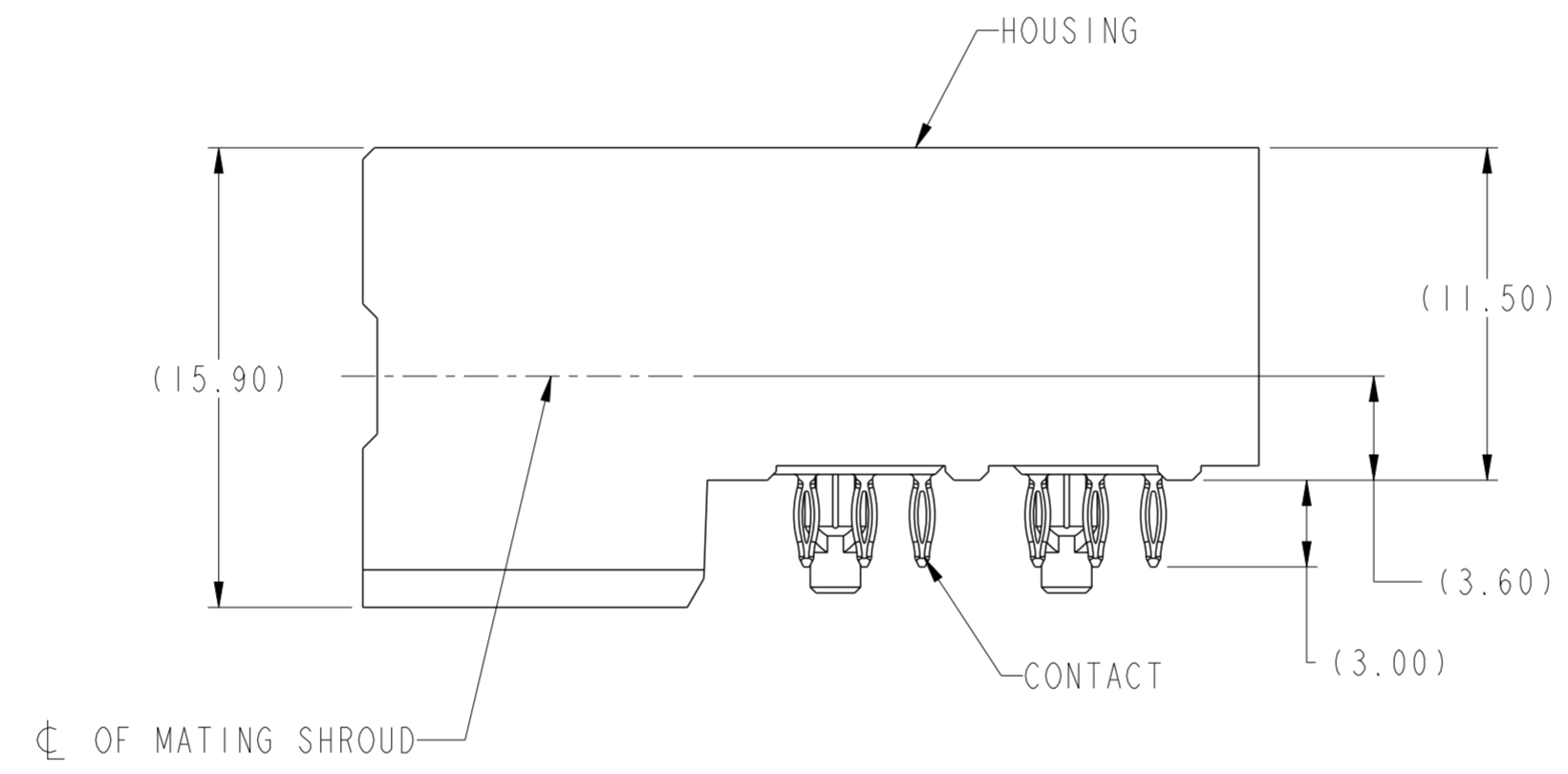
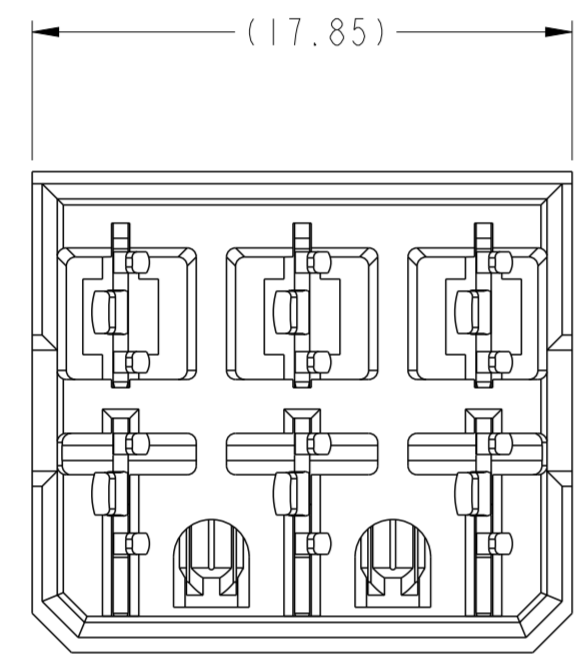


| | |
|----------------|----------------------|
| PRODUCT NUMBER | CONTACT PLATING NOTE |
| 10061289-001LF | NOTE 2 |



SCALE 3:1



Copyright FCI.

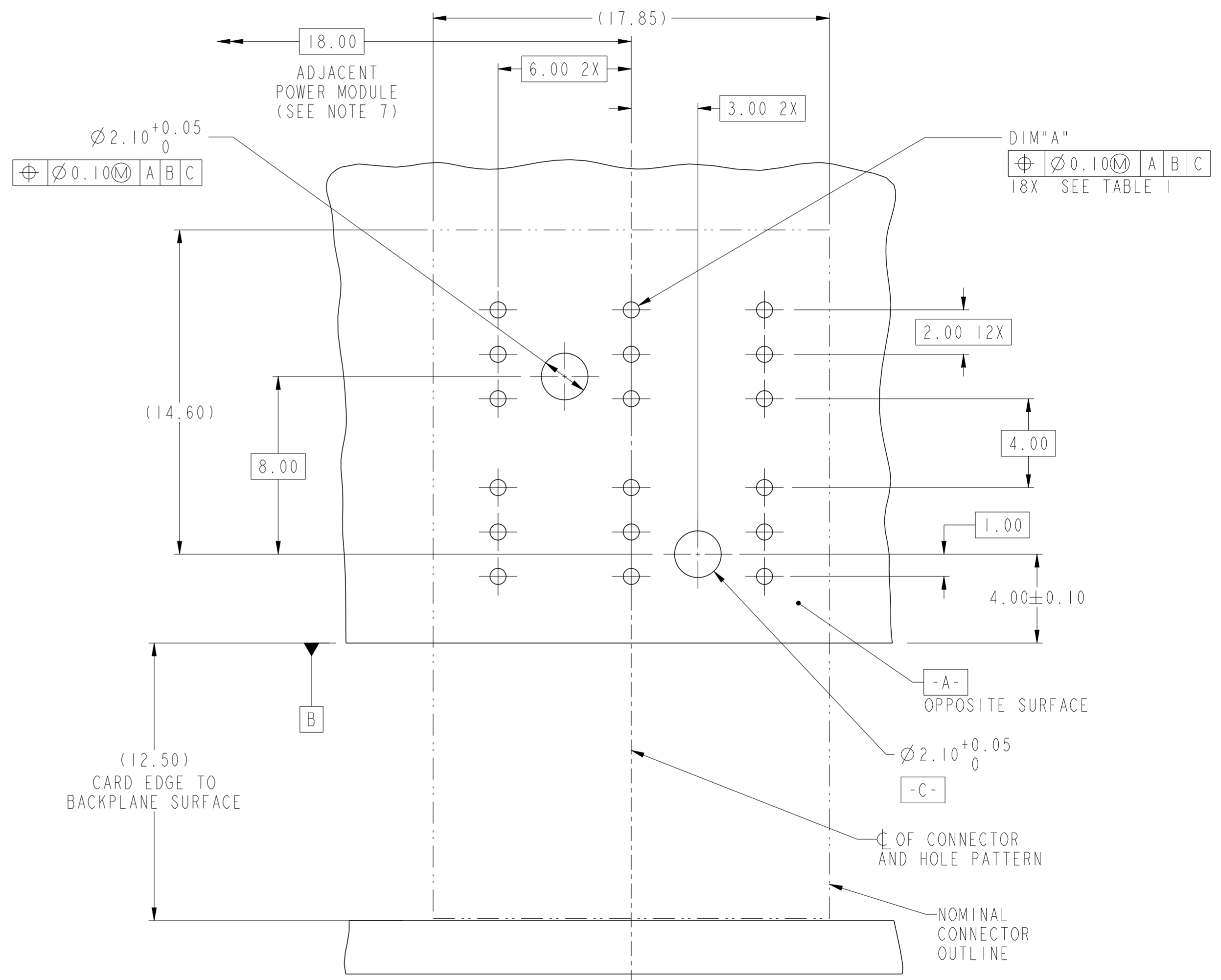
| | | | | | | | | | | |
|---------------|------------|------|---------------|------------|----------------|----------------|----------|---------------|-----------|--------------|
| spec ref | GS-12-220 | dr | Chen-Hong Tan | 2006/06/20 | projection | MM | size | A2 | scale | 4:1 |
| tolerance std | ASME Y14.5 | eng | Suzie Nah | 2014/03/24 | chr | - | ecn no | ELX-S-17215-1 | rel level | Released |
| surface | ASME Y14.5 | appr | Chen-Hong Tan | 2014/03/24 | product family | 2mm High Power | cat. no. | 10061289 | rev | C |
| | | | | | | | | | | sheet 1 of 2 |

PDS: Rev :C

STATUS:Released

Printed: Apr 01, 2014

| TOP LAYER DESCRIPTION | TABLE I PLATED THROUGH-HOLE REQUIREMENTS | | | | | | | |
|-----------------------|---|------------------|--------------------|------------------|--------------------|---------------|------------------|---------------------------------|
| | DRILLED HOLE DIAMETER | COPPER THICKNESS | TIN-LEAD THICKNESS | NICKEL THICKNESS | GOLD THICKNESS | TIN THICKNESS | SILVER THICKNESS | FINISHED HOLE DIAMETER (DIM"A") |
| TIN-LEAD | 0.81-0.86 (0.85 DRILL) | 0.025 - 0.050 | 0.005 - 0.015 | -- | -- | -- | -- | 0.65 - 0.80 |
| IMMERSION TIN | 0.81-0.86 (0.85 DRILL) | 0.025 - 0.050 | -- | -- | -- | 0.9 - 1.5um | -- | 0.70 - 0.80 |
| IMMERSION SILVER | 0.81-0.86 (0.85 DRILL) | 0.025 - 0.050 | -- | -- | -- | -- | 0.15 - 0.65um | 0.70 - 0.80 |
| COPPER (SEE NOTE 11) | 0.81-0.86 (0.85 DRILL) | 0.025 - 0.050 | -- | -- | -- | -- | -- | 0.70 - 0.80 |
| GOLD | 0.81-0.86 (0.85 DRILL) | 0.025 - 0.050 | -- | 0.003 - 0.007 | FLASH UP TO 0.0002 | -- | -- | 0.69 - 0.80 |



- NOTES:
- CONNECTOR MATERIALS:
HOUSING: HIGH TEMPERATURE THERMOPLASTIC, BLACK
UL 94V-0 COMPLIANT
CONTACT: HIGH PERFORMANCE COPPER ALLOY
 - CONTACT PLATING:
PRESS-FIT TAIL: 0.5um MIN MATT TIN OVER NICKEL.
SEPARABLE INTERFACE: 0.76um MIN GXT OVER NICKEL.
 - PRODUCT SPECIFICATION: GS-12-220
 - APPLICATION SPECIFICATION: GS-20-023
 - PRODUCT MARKING (PRODUCT NUMBER & LOT CODE) ON HOUSING.
 - MINIMUM NOMINAL PCB THICKNESS: 1.6mm
 - REFER TO CUSTOMER DRAWING 10035911 FOR INFORMATION REGARDING PCB LAYOUT OF POWER AND GUIDE MODULES RELATIVE TO SIGNAL MODULES.
 - PRODUCT MEETS EUROPEAN UNION DIRECTIVES AND OTHER COUNTRY REGULATIONS AS DESCRIBED IN FCI SPECIFICATION GS-22-008.
 - PACKAGING MEETS FCI SPECIFICATION GS-14-920.
 - HOUSING COMPONENT WILL WITHSTAND EXPOSURE TO 260°C PEAK TEMPERATURE FOR 60 SECONDS IN A CONVECTION, INFRA-RED, OR VAPOR PHASE REFLOW OVEN.
 - COPPER PLATING THICKNESS IN CENTER OF VIA-HOLE CAN BE NO MORE THAN 0.003 LESS THAN OTHER AREAS.

| | | | | | | | | | | |
|---------------|------------|-------------|---------------|------------|----------------|-------|-----------|---------------|-----------|---------------------------|
| spec ref | GS-12-220 | dr | Chen-Hong Tan | 2006/06/20 | projection | MM | size | A2 | scale | 1:1 |
| tolerance std | ASME Y14.5 | eng | Suzie Nah | 2014/03/24 | chr | - | ecn no | ELX-S-17215-1 | rel level | Released |
| surface | ✓ | appr | Chen-Hong Tan | 2014/03/24 | product family | - | rel level | Released | title | R/A HEADER ASSY 2X3 POWER |
| ASME Y14.5 | linear | 0.X | ±0.3 | 0.XX | ±0.10 | 0.XXX | ±0.050 | angular | 0° | ±2° |
| | | www.fci.com | | cat. no. | | - | | - | | sheet 2 of 2 |

Copyright FCI. FCI

Mouser Electronics

Authorized Distributor

Click to View Pricing, Inventory, Delivery & Lifecycle Information:

[FCI / Amphenol:](#)

[10061289-001LF](#)