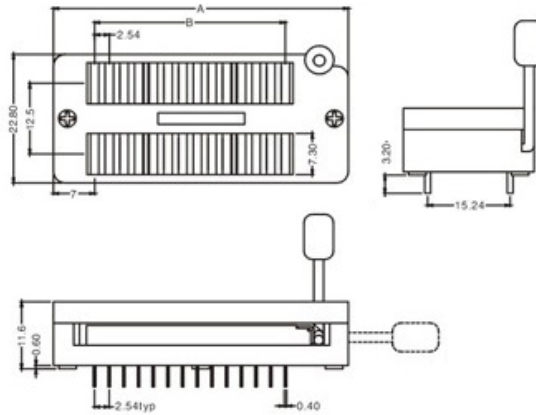


Connector >> IC Socket >> DK802 (Double DIP Socket)



Contact Resistance	20 mΩ ,max. at DC 100mA
Insulator Resistance	1000 mΩ ,min. at DC 500V
Current Rating	2 AMP
Withstanding voltage	AC1000V/1Min
Operating temperature	-40°C~+105°C
Contact	Brass
Housing	PBT & 30% Glass Fiber(UL94V-0)



Position	A	B	Position	A	B
24	45.10	27.94	40	65.50	48.26
28	50.20	33.02	48	75.60	58.42
32	55.30	38.10			

How to Order:

DK802	-	28		G	-	G
Series No.		Poles		G: Gold Plated		Color
				T: Tin Plated		K: Black
						G: Green