



ON Semiconductor®

FSUSB42 — Low-Power, Two-Port, High-Speed, USB2.0 (480Mbps) UART Switch

Features

- Low On Capacitance: 3.7 pF Typical
- Low On Resistance: 3.9 Ω Typical
- Low Power Consumption: 1 μA Maximum
 - 15 μA Maximum I_{CC} over an Expanded Voltage Range (V_{IN}=1.8 V, V_{CC}=4.4 V)
- Wide -3 db Bandwidth: > 720 MHz
- Packaged in:
 - 10-Lead UMLP (1.4 x 1.8 mm)
 - 10-Lead MSOP
- 8 kV ESD Rating, >16 kV Power / GND ESD Rating
- Over-Voltage Tolerance (OVT) on all USB Ports Up to 5.25 V without External Components

Applications

- Cell phone, PDA, Digital Camera, and Notebook
- LCD Monitor, TV, and Set-Top Box

Description

The FSUSB42 is a bi-directional, low-power, two-port, high-speed, USB2.0 switch. Configured as a double-pole, double-throw switch (DPDT) switch, it is optimized for switching between any combination of high-speed (480 Mbps) or Full-Speed (12 Mbps) sources.

The FSUSB42 is compatible with the requirements of USB2.0 and features an extremely low on capacitance (C_{ON}) of 3.7 pF. The wide bandwidth of this device (720 MHz) exceeds the bandwidth needed to pass the third harmonic, resulting in signals with minimum edge and phase distortion. Superior channel-to-channel crosstalk also minimizes interference.

The FSUSB42 contains special circuitry on the switch I/O pins for applications where the V_{CC} supply is powered-off (V_{CC}=0 V), which allows the device to withstand an over-voltage condition. This device is designed to minimize current consumption even when the control voltage applied to the SEL pin is lower than the supply voltage (V_{CC}). This feature is especially valuable to ultra-portable applications, such as cell phones, allowing for direct interface with the general-purpose I/Os of the baseband processor. Other applications include switching and connector sharing in portable cell phones, PDAs, digital cameras, printers, and notebook computers.

Ordering Information

Part Number	Top Mark	Operating Temperature Range	Package
FSUSB42UMX	HE	-40 to +85°C	10-Lead, Quad, Ultrathin Molded Leadless Package (UMLP), 1.4 x 1.8 mm
FSUSB42MUX	FSUSB42	-40 to +85°C	10-Lead, Molded Small-Outline Package (MSOP) JEDEC MO-187, 3.0 mm Wide

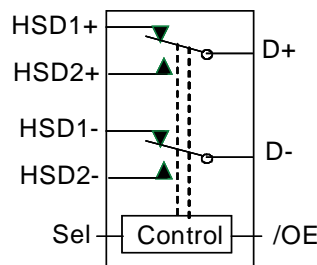


Figure 1. Analog Symbol

Pin Assignments

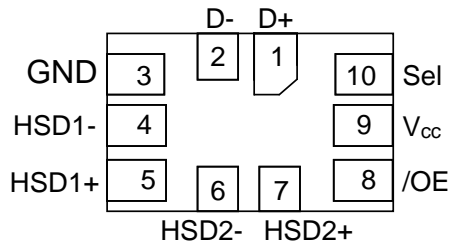


Figure 2. 10-Lead UMLP (Top-Through View)

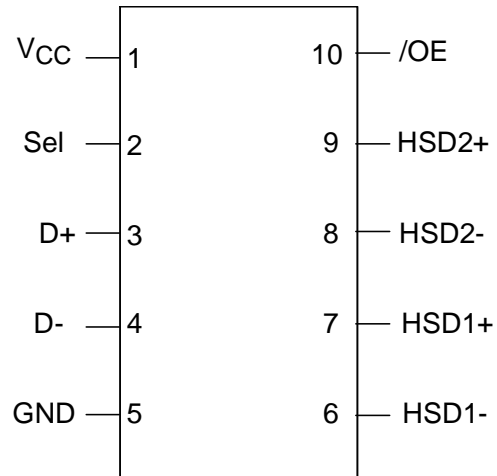


Figure 3. 10-Lead MSOP (Top-Through View)

Pin Definitions

UMLP Pin#	MSOP Pin#	Name	Description
1	3	D+	Common USB Data Bus
2	4	D-	Common USB Data Bus
3	5	GND	Ground
4	6	HSD1-	Multiplexed Source Input 1
5	7	HSD1+	Multiplexed Source Input 1
6	8	HSD2-	Multiplexed Source Input 2
7	9	HSD2+	Multiplexed Source Input 2
8	10	/OE	Sw itch Enable
9	1	Vcc	Supply Voltage
10	2	Sel	Sw itch Select

Truth Table

SEL	/OE	Function
X	HIGH	Disconnect
LOW	LOW	D+= HSD1+, D-= HSD1-
HIGH	LOW	D+= HSD2+, D-= HSD2-

Notes:

1. LOW $\leq V_{IL}$.
2. HIGH $\geq V_{IH}$.
3. X=Don't Care.

Absolute Maximum Ratings

Stresses exceeding the absolute maximum ratings may damage the device. The device may not function or be operable above the recommended operating conditions and stressing the parts to these levels is not recommended. In addition, extended exposure to stresses above the recommended operating conditions may affect device reliability. The absolute maximum ratings are stress ratings only.

Symbol	Parameter	Min.	Max.	Unit
V _{CC}	Supply Voltage	-0.5	5.6	V
V _{CNTRL}	DC Input Voltage (S, /OE) ⁽⁴⁾	-0.5	V _{CC}	V
V _{SW}	DC Switch I/O Voltage ⁽⁴⁾ (V _{CC} =0V)	-0.50	5.25	V
I _{IK}	DC Input Diode Current	-50		mA
I _{OUT}	DC Output Current		100	mA
T _{STG}	Storage Temperature	-65	+150	°C
MSL	Moisture Sensitivity Level (JEDEC J-STD-020A)		1	Level
ESD	Human Body Model, JEDEC: JESD22-A114	All Pins	7	kV
		I/O to GND	8	
		Power to GND	16	
		D+/D-	9	
	IEC 61000-4-2 System on USB Connector Pins D+ & D-	Air Discharge	15	
		Contact	8	
	Charged Device Model, JEDEC: JESD22-C101	2		

Note:

4. The input and output negative ratings may be exceeded if the input and output diode current ratings are observed.

Recommended Operating Conditions

The Recommended Operating Conditions table defines the conditions for actual device operation. Recommended operating conditions are specified to ensure optimal performance to the datasheet specifications. ON Semiconductor does not recommend exceeding them or designing to Absolute Maximum Ratings.

Symbol	Parameter	Min.	Max.	Unit
V _{CC}	Supply Voltage	2.4	4.4	V
V _{CNTRL}	Control Input Voltage (S, /OE) ⁽⁵⁾	0	V _{CC}	V
V _{SW}	Switch I/O Voltage	-0.5	4.5	V
T _A	Operating Temperature	-40	+85	°C

Note:

5. The control input must be held HIGH or LOW and it must not float.

DC Electrical Characteristics

All typical value are at $T_A=25^{\circ}\text{C}$ unless otherw ise specified.

Symbol	Parameter	Condition	V_{CC} (V)	$T_A=-40^{\circ}\text{C}$ to $+85^{\circ}\text{C}$			Unit
				Min.	Typ.	Max.	
V_{IK}	Clamp Diode Voltage	$I_N=-18\text{mA}$	3.0			-1.2	V
V_{IH}	Input Voltage High		2.4 to 3.6	1.3			V
			4.3	1.7			
V_{IL}	Input Voltage Low		2.4 to 3.6			0.5	V
			4.3			0.7	
I_{IN}	Control Input Leakage	$V_{SW}=0$ to V_{CC}	0 to 4.3	-1		1	μA
I_{OZ}	Off State Leakage	$0 \leq D_n, \text{HSD}1_n, \text{HSD}2_n \leq 3.6\text{ V}$	4.3	-2		2	μA
I_{OFF}	Power-Off Leakage Current (All I/O Ports)	$V_{SW}=0\text{ V}$ to 4.3 V , $V_{CC}=0\text{ V}$ Figure 5	0	-2		2	μA
R_{ON}	HS Switch On Resistance ⁽⁶⁾	$V_{SW}=0.4\text{ V}$, $I_{ON}=-8\text{ mA}$ Figure 4	2.4		4.5	7.5	Ω
			3.0		3.9	6.5	
ΔR_{ON}	HS Delta R_{ON} ⁽⁷⁾	$V_{SW}=0.4\text{ V}$, $I_{ON}=-8\text{ mA}$	3.0		0.65		Ω
I_{CC}	Quiescent Supply Current	$V_{CNTRL}=0$ or V_{CC} , $I_{OUT}=0$	4.3			1	μA
I_{CCT}	Increase in I_{CC} Current per Control Voltage and V_{CC}	$V_{CNTRL}=2.6\text{ V}$, $V_{CC}=4.3\text{ V}$	4.3			10	μA
		$V_{CNTRL}=1.8\text{ V}$, $V_{CC}=4.3\text{ V}$	4.3			15	μA

Notes:

6. Measured by the voltage drop between HSDn and Dn pins at the indicated current through the switch. On resistance is determined by the lower of the voltage on the two (HSDn or Dn ports).
7. Guaranteed by characterization.

AC Electrical Characteristics

All typical value are for $V_{CC}=3.3\text{ V}$ at $T_A=25^\circ\text{C}$ unless otherwise specified.

Symbol	Parameter	Condition	V_{CC} (V)	$T_A=-40^\circ\text{C to }+85^\circ\text{C}$			Unit
				Min.	Typ.	Max.	
t_{ON}	Turn-On Time S, /OE to Output	$R_L=50\ \Omega$, $C_L=5\ \text{pF}$, $V_{SW}=0.8\ \text{V}$, Figure 6, Figure 7	2.4		24	40	ns
			3.0 to 3.6		13	30	
t_{OFF}	Turn-Off Time S, /OE to Output	$R_L=50\ \Omega$, $C_L=5\ \text{pF}$, $V_{SW}=0.8\ \text{V}$, Figure 6, Figure 7	2.4		15	35	ns
			3.0 to 3.6		12	25	
t_{PD}	Propagation Delay ⁸	$C_L=5\ \text{pF}$, $R_L=50\ \Omega$, Figure 6, Figure 8	3.3		0.25		ns
t_{BBM}	Break-Before-Make	$R_L=50\ \Omega$, $C_L=5\ \text{pF}$, $V_{SW1}=V_{SW2}=0.8\ \text{V}$, Figure 10	2.4	2.0		10	ns
			3.0 to 3.6	2.0		6.5	
O_{IRR}	Off Isolation	$R_L=50\ \Omega$, $f=240\ \text{MHz}$, Figure 12	3.0 to 3.6		-30		dB
Xtalk	Non-Adjacent Channel Crosstalk	$R_L=50\ \Omega$, $f=240\ \text{MHz}$, Figure 13	3.0 to 3.6		-45		dB
BW	-3db Bandwidth	$R_L=50\ \Omega$, $C_L=0\ \text{pF}$, Figure 11	3.0 to 3.6		720		MHz
		$R_L=50\ \Omega$, $C_L=5\ \text{pF}$, Figure 11			550		MHz

Note:

8. Guaranteed by characterization.

USB High-Speed-Related AC Electrical Characteristics

All typical value are for $V_{CC}=3.3\text{ V}$ at $T_A=25^\circ\text{C}$ unless otherwise specified.

Symbol	Parameter	Condition	V_{CC} (V)	$T_A=-40^\circ\text{C to }+85^\circ\text{C}$			Unit
				Min.	Typ.	Max.	
$t_{SK(P)}$	Skew of Opposite Transitions of the Same Output ⁽⁹⁾	$C_L=5\ \text{pF}$, $R_L=50\ \Omega$, Figure 9			20		ps
t_J	Total Jitter ⁽⁹⁾	$R_L=50\ \Omega$, $C_L=5\ \text{pF}$, $t_R=t_F=500\ \text{ps}$ (10-90%) at 480 Mbps (PRBS= $2^{15}-1$)			200		ps

Note:

9. Guaranteed by characterization.

Capacitance

Symbol	Parameter	Condition	$T_A=-40^\circ\text{C to }+85^\circ\text{C}$			Unit
			Min.	Typ.	Max.	
C_{IN}	Control Pin Input Capacitance	$V_{CC}=0\ \text{V}$		1.5		pF
C_{ON}	D+/D- On Capacitance	$V_{CC}=3.3\ \text{V}$, /OE=0 V, $f=240\ \text{MHz}$, Figure 15		3.7		
C_{OFF}	D1n, D2n Off Capacitance	V_{CC} and /OE=3.3 V, Figure 14		2.0		

Test Diagrams

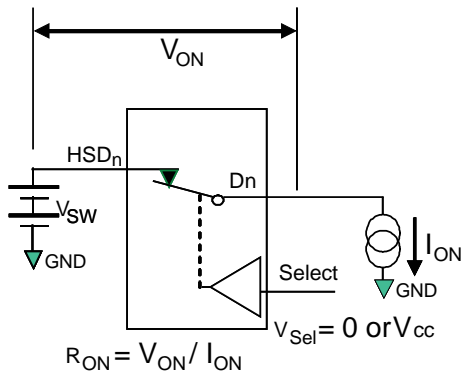
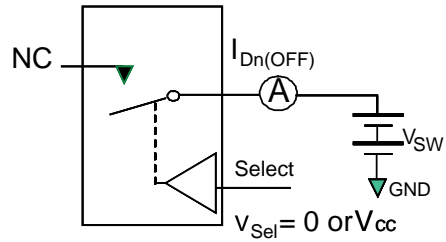
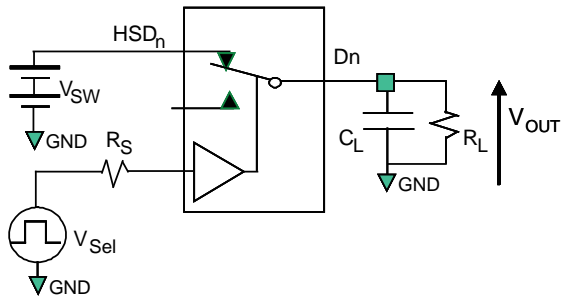


Figure 4. On Resistance



**Each switch port is tested separately

Figure 5. Off Leakage



R_L , R_S , and C_L are functions of the application environment (see AC Tables for specific values)
 C_L includes test fixture and stray capacitance.

Figure 6. AC Test Circuit Load

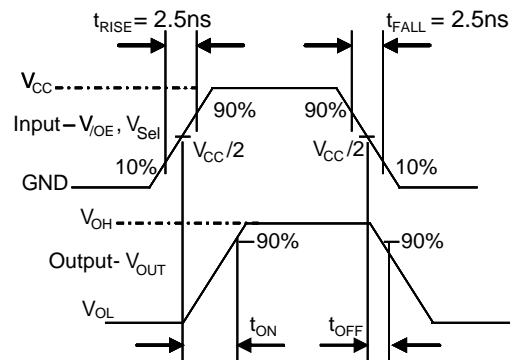


Figure 7. Turn-On / Turn-Off Waveforms

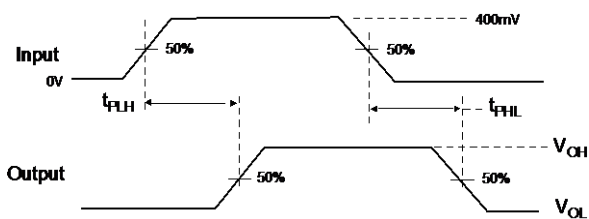


Figure 8. Propagation Delay ($t_{rTF} = 500$ ps)

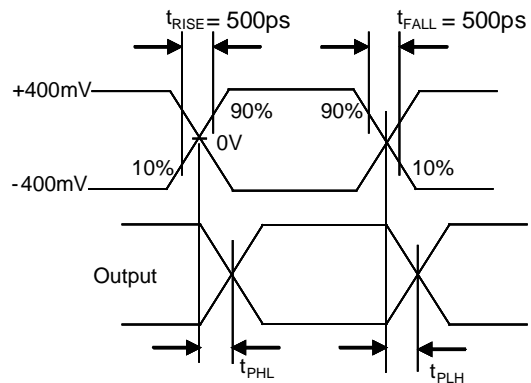


Figure 9. Intra-Pair Skew Test $t_{SK(P)}$

Test Diagrams (Continued)

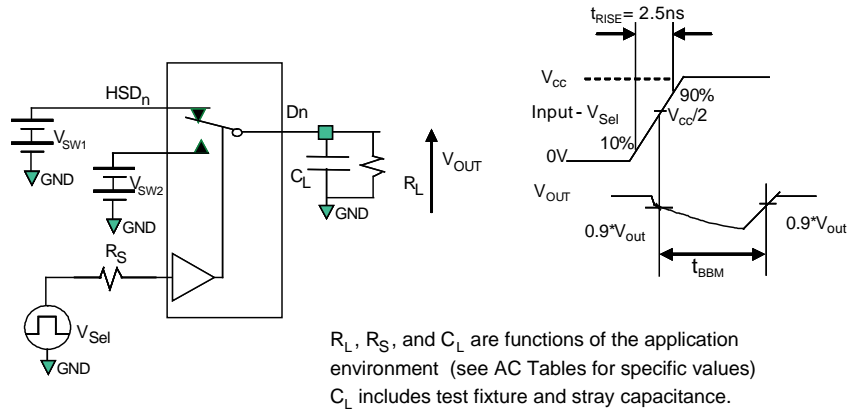


Figure 10. Break-Before-Make Interval Timing

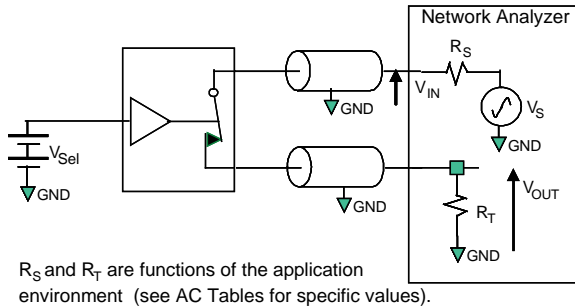


Figure 11. Bandwidth

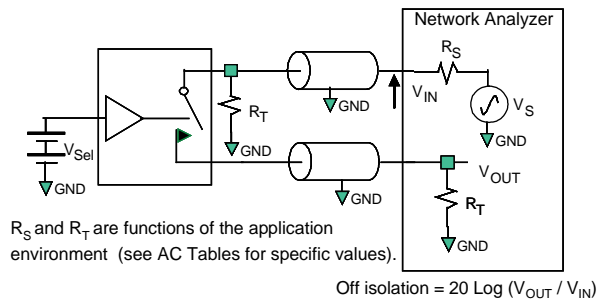


Figure 12. Channel Off Isolation

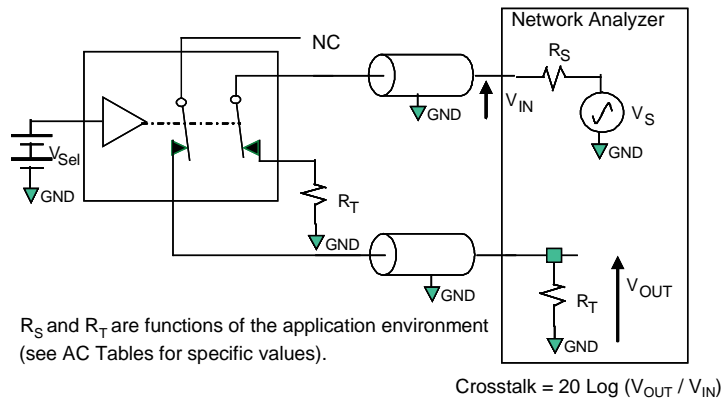


Figure 13. Non-Adjacent Channel-to-Channel Crosstalk

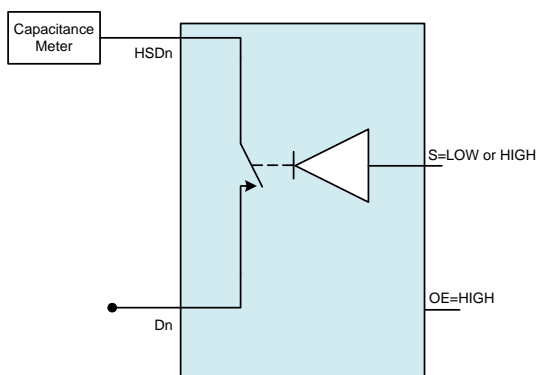


Figure 14. Channel Off Capacitance

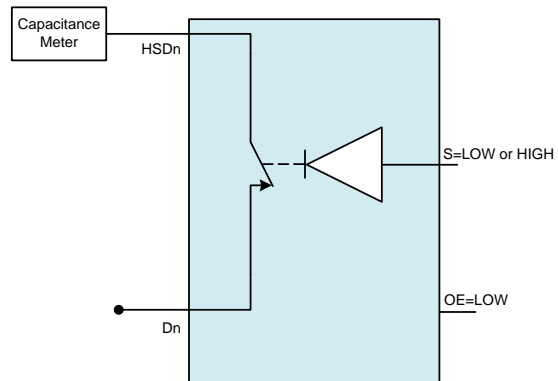


Figure 15. Channel On Capacitance

Physical Dimensions

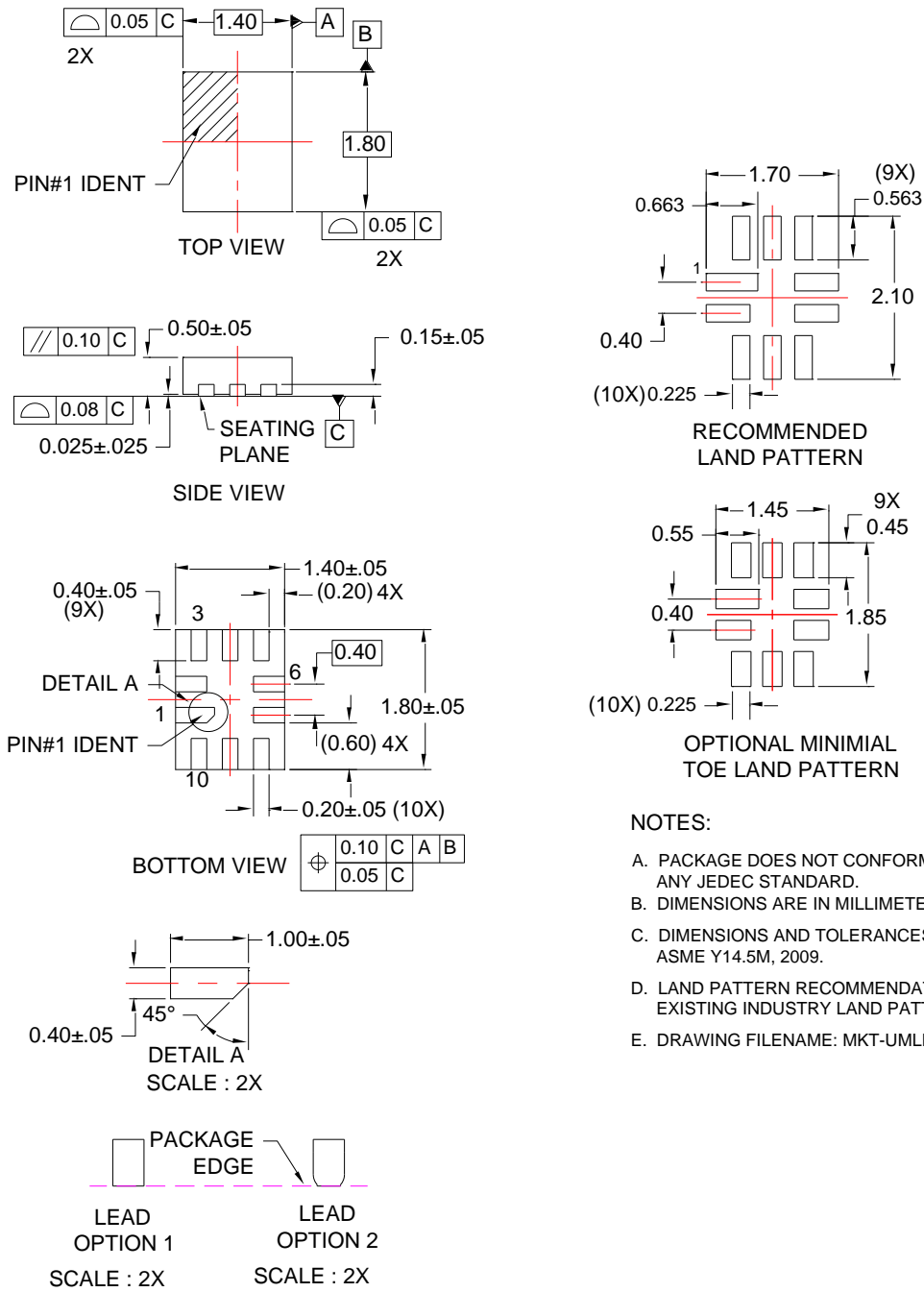


Figure 16. 10-Lead, Ultrathin Molded Leadless Package (UMLP)

Physical Dimensions (Continued)

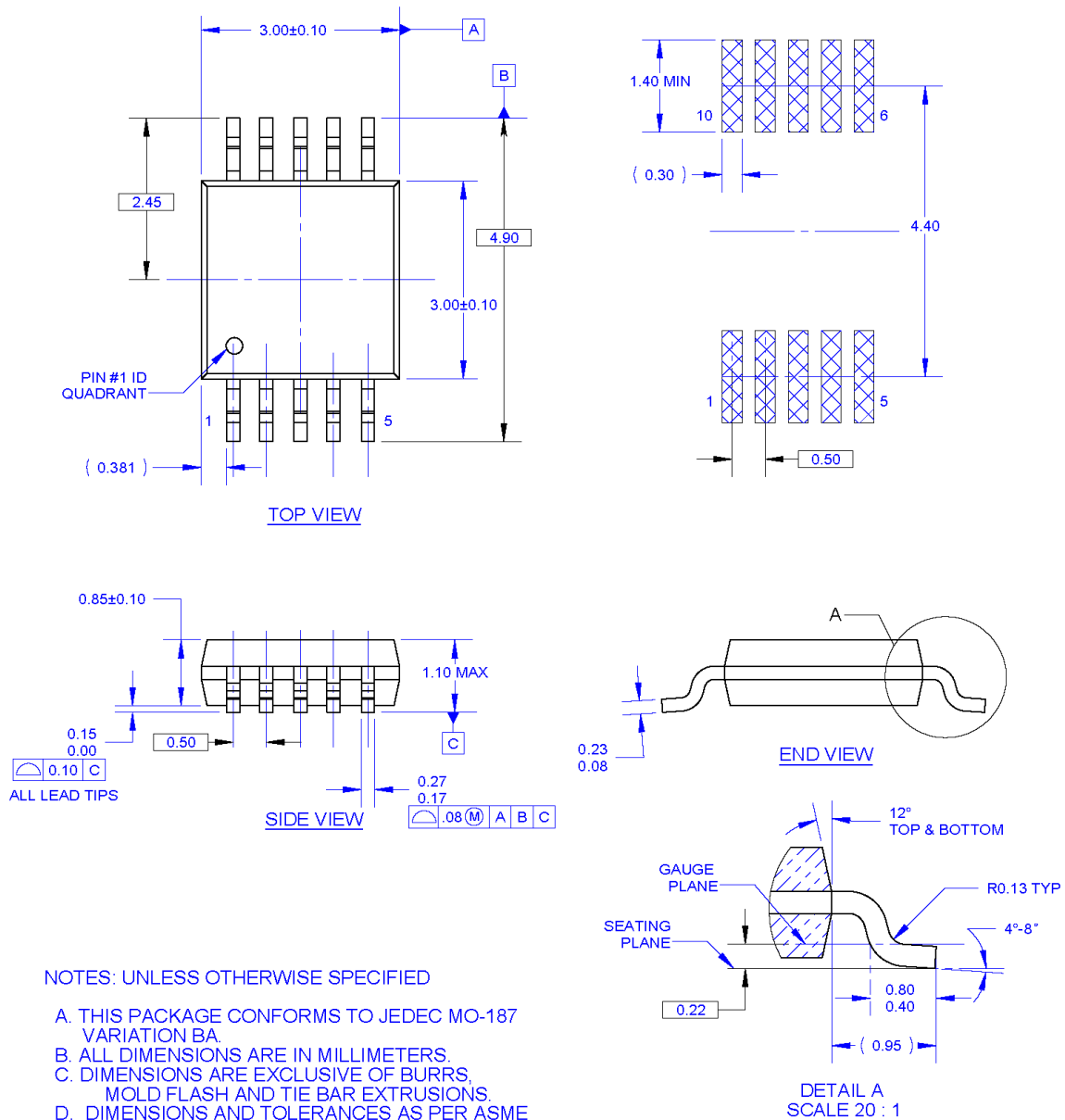


Figure 17. 10-Lead, Molded Small Outline Package (MSOP)

ON Semiconductor and the ON Semiconductor logo are trademarks of Semiconductor Components Industries, LLC dba ON Semiconductor or its subsidiaries in the United States and/or other countries. ON Semiconductor owns the rights to a number of patents, trademarks, copyrights, trade secrets, and other intellectual property. A listing of ON Semiconductor's product/patent coverage may be accessed at www.onsemi.com/site/pdf/Patent-Marking.pdf. ON Semiconductor reserves the right to make changes without further notice to any products herein. ON Semiconductor makes no warranty, representation or guarantee regarding the suitability of its products for any particular purpose, nor does ON Semiconductor assume any liability arising out of the application or use of any product or circuit, and specifically disclaims any and all liability, including without limitation special, consequential or incidental damages. Buyer is responsible for its products and applications using ON Semiconductor products, including compliance with all laws, regulations and safety requirements or standards, regardless of any support or applications information provided by ON Semiconductor. "Typical" parameters which may be provided in ON Semiconductor data sheets and/or specifications can and do vary in different applications and actual performance may vary over time. All operating parameters, including "Typicals" must be validated for each customer application by customer's technical experts. ON Semiconductor does not convey any license under its patent rights nor the rights of others. ON Semiconductor products are not designed, intended, or authorized for use as a critical component in life support systems or any FDA Class 3 medical devices or medical devices with a same or similar classification in a foreign jurisdiction or any devices intended for implantation in the human body. Should Buyer purchase or use ON Semiconductor products for any such unintended or unauthorized application, Buyer shall indemnify and hold ON Semiconductor and its officers, employees, subsidiaries, affiliates, and distributors harmless against all claims, costs, damages, and expenses, and reasonable attorney fees arising out of, directly or indirectly, any claim of personal injury or death associated with such unintended or unauthorized use, even if such claim alleges that ON Semiconductor was negligent regarding the design or manufacture of the part. ON Semiconductor is an Equal Opportunity/Affirmative Action Employer. This literature is subject to all applicable copyright laws and is not for resale in any manner.

PUBLICATION ORDERING INFORMATION

LITERATURE FULFILLMENT:

Literature Distribution Center for ON Semiconductor
 19521 E. 32nd Pkwy, Aurora, Colorado 80011 USA
Phone: 303-675-2175 or 800-344-3860 Toll Free USA/Canada
Fax: 303-675-2176 or 800-344-3867 Toll Free USA/Canada
Email: orderlit@onsemi.com

N. American Technical Support: 800-282-9855 Toll Free
 USA/Canada.

Europe, Middle East and Africa Technical Support:
 Phone: 421 33 790 2910

Japan Customer Focus Center
 Phone: 81-3-5817-1050

ON Semiconductor Website: www.onsemi.com

Order Literature: <http://www.onsemi.com/orderlit>

For additional information, please contact your local Sales Representative