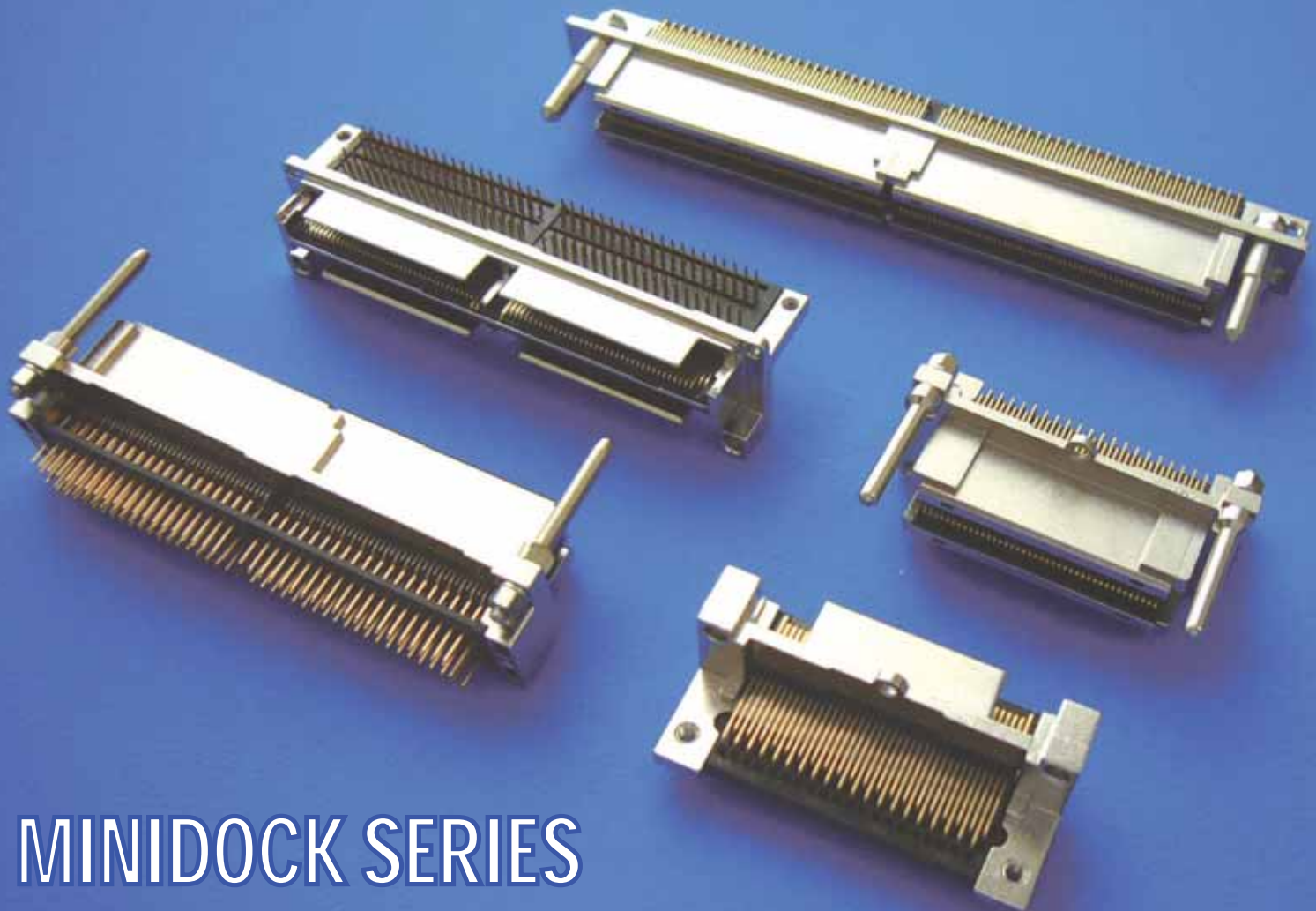


0.635mm Pitch Board to Board Docking Connector

Lead-Free Compliance



MINIDOCK SERIES

MINIDOCK SERIES



MINIDOCK Connector is designed for board to board connection and features small size with 0.635mm Pitch for applications in high density packaging. It also employs metallic Diecast Shell to minimize EMI noise.

【Application】

For Docking Station of Note-Book PC / Server / Medical Equipment / instrumentation / Small-Sized Electrical Devices

【Features】

- 0.635mm Pitch
- Connector protected by Diecasted Zinc Alloy Metal Shell
- Stable Mating / Un-mating by Long Guide Pin
- Broad Product Line Up
 - >Pin Count : 80p~240p
 - >Right Angle Type / Vertical Type / Straddle Type / Slim Type
 - >Sequential contact by Ground Pins / Signal Pins / Power Pins through Mating and Un-mating

【Specifications】

- Rated Current 0.5A AC/DC
- Rated Voltage 250V AC/DC
- D.W. Voltage AC 500V
- Insulation Resistance 1000M ohm MIN.
- Durability 5000 cycles

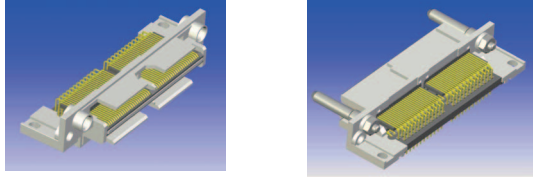
【Material and Finish】

Product	Parts	Material	Plating/Color
PLUG	INSULATOR	PPS UL94V-0	BLACK
	LOCATOR PLATE	PA UL94V-0	BLACK
	CONTACT	COPPER ALLOY	*1 Au FLASH
	METAL SHELL	Zinc ALLOY	Ni
RECEPTACLE	INSULATOR	PPS UL94V-0	BLACK
	LOCATOR PLATE	PA UL94V-0	BLACK
	CONTACT	COPPER ALLOY	*1 Au FLASH
	GUIDE PIN	STEEL	Ni
	METAL SHELL	Zinc ALLOY	Ni

*1 Solder Tail Plating of (P/N)30047, 30059, 30082 is Au Plating

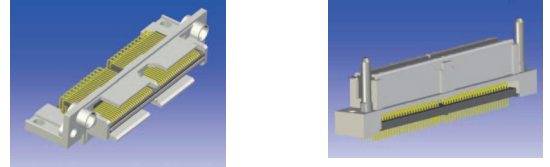
Mating Type

Pattern 1 Standard Type
Right Angle PLUG **Right Angle** RECE



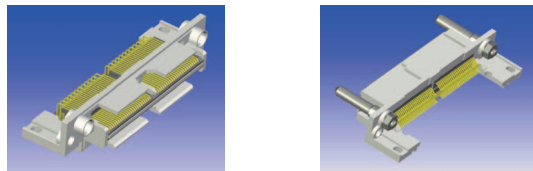
PLUG	30001, 30057, 30075,30082
RECE	30002

Pattern 2 Standard Type
Right Angle PLUG **Vertical** RECE



PLUG	30001, 30057, 30075,30082
RECE	30007, 30009

Pattern 3 Standard Type
Right Angle PLUG **Straddle** RECE



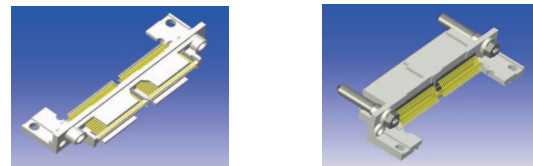
PLUG	30001
RECE	30006

Pattern 4 Standard Type
Straddle PLUG **Right Angle** RECE



PLUG	30005
RECE	30002

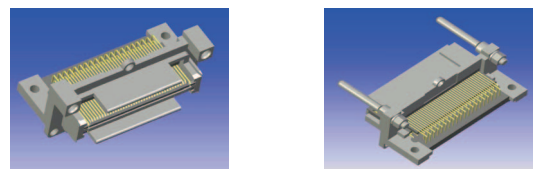
Pattern 5 Standard Type
Straddle PLUG **Straddle** RECE



PLUG	30005
RECE	30006

PLUG	30087
RECE	30088

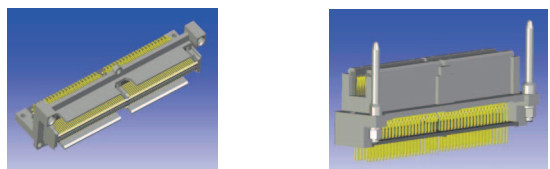
Pattern 6 Slim Type
Right Angle PLUG **Right Angle** RECE



PLUG	30029
RECE	30030

PLUG	30046, 30059, 30095
RECE	30047



Pattern 7 Slim Type
Right Angle PLUG **Vertical** RECE







PLUG	30046, 30059, 30095
RECE	30056




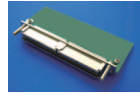
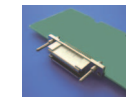
Product Overview




<PLUG>

STANDARD Type							
Type	Sequence Contact	Series No.	Pin Count	Mating No.	Note	View	Page
Right Angle	Standard (All Long Pin)	30001	100p 120p 160p 200p 240p	30002 30006 30007 30009			5
	Random sequence	30057	160p	30002 30009	Guide Wall Type		6
	All Middle Pin	30075	200p	30002 30007			7
	Random sequence	30082	100p	30002 30006			8
	All Long Pin Offset Type	30094	200p	30007-200T-03F Only			9
Straddle	Standard (All Long Pin)	30005	100p	30002 30006			10
	Standard (All Long Pin)	30087	80p	30088	Staggered Type		11

SLIM type							
Type	Sequence Contact	Series No.	Pin Count	Mating No.	Note	View	Page
Right Angle	2 Sequence	30029	80p	30030			12
	2 Sequence	30046	160p	30047 30056			13
	3 Sequence	30059	160p	30047 30056			14
	3 Sequence	30095	158p	30047 30056			15

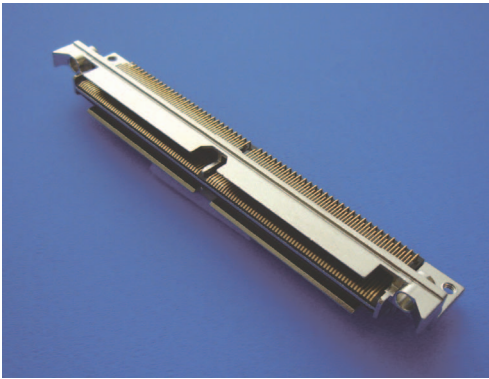
<RECEPTACLE>

STANDARD Type						
Type	Series No.	Pin Count	Mating No.	Note	View	Page
Right Angle	30002	100p	30001			16
		120p	30005			
		160p	30057			
		200p	30075			
		240p	30082			
Vertical	30007	200p	30001 30075 30094			17
	30009	160p	30001 30057			18
Straddle	30006	100p	30001 30005			19
	30088	80p	30087	Staggered type		20

SLIM type						
Type	Series No.	Pin Count	Mating No.	Note	View	Page
Right Angle	30030	80p	30029			21・22
	30047	160p	30046 30059 30095			23
Vertical	30056	160p	30046 30059 30095			24

MINIDOCK Standard Type

PLUG Right Angle
100p/120p/160p/200p/240p
All Long Pin (Standard)

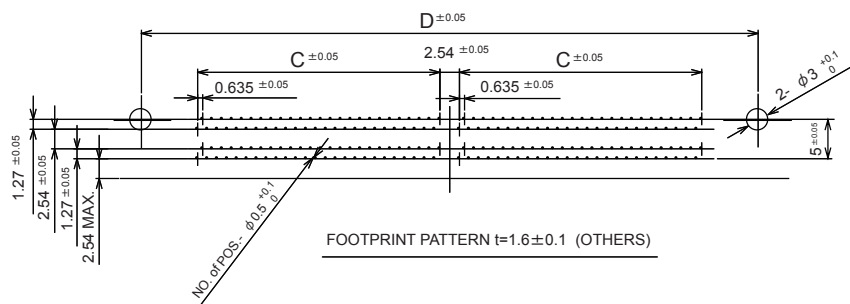
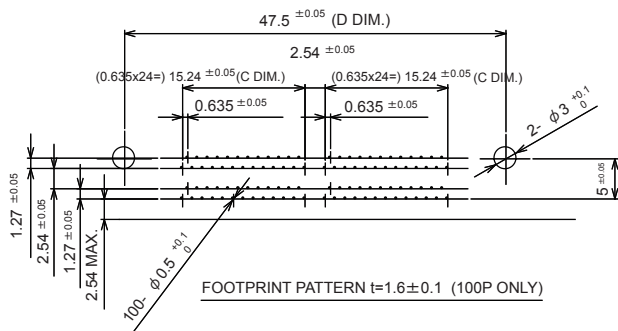
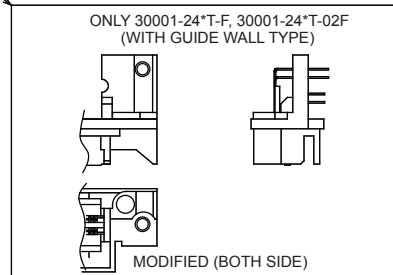
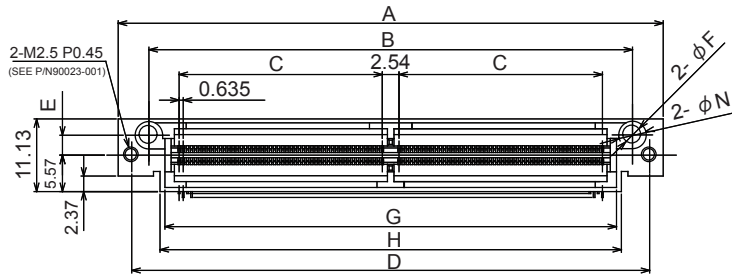
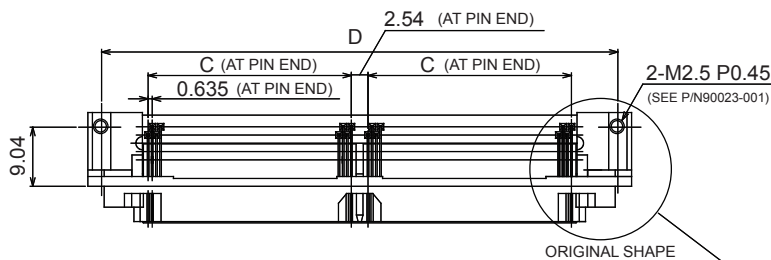


[Part Number]

30001- ** # T - ** F

① ② ③ ④

①	POS.	10 : 100pos	12: 120pos	16: 160pos	④	Screw	NON	Without Screw	
		20: 200pos	24: 240pos	01			With Screw (P/N: 90023-001) 100pos, 120pos, 160pos, 200pos		
②	Finish of Contact Area	0	Au Flash			④	Screw	02	With Screw (P/N: 90023-001) 240pos
		A	Au 0.75u m Min.						
③	Packaging	T	Tray						



PART NO.	POS.	A	B	C	D	E	F	G	H	I	J	N
30001-10#T-**F	100p	51.65	42.25	15.24	47.50	3.06	φ 3.0	37.35	38.85	2.5	2.1	φ 4.2
30001-12#T-**F	120p	58.00	48.60	18.42	53.85			43.70	45.20			
30001-16#T-**F	160p	73.70	60.81	24.77	66.68	2.77	φ 3.7	56.00	57.90	3.1	2.5	φ 4.7
30001-20#T-**F	200p	83.40	74.00	31.12	79.25	3.06	φ 3.0	69.10	70.60			
30001-24#T-**F	240p	96.10	86.70	37.47	91.95			81.80	83.30			

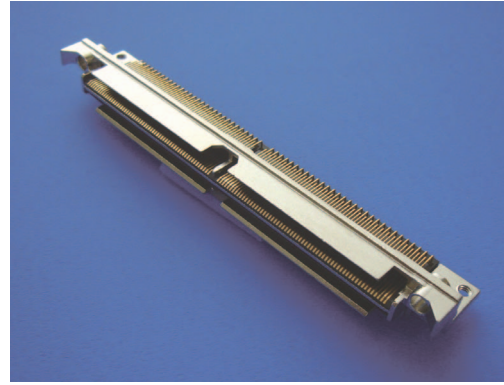
MINIDOCK Standard Type

PLUG Right Angle
160p
Random Sequence
Guide Wall Type

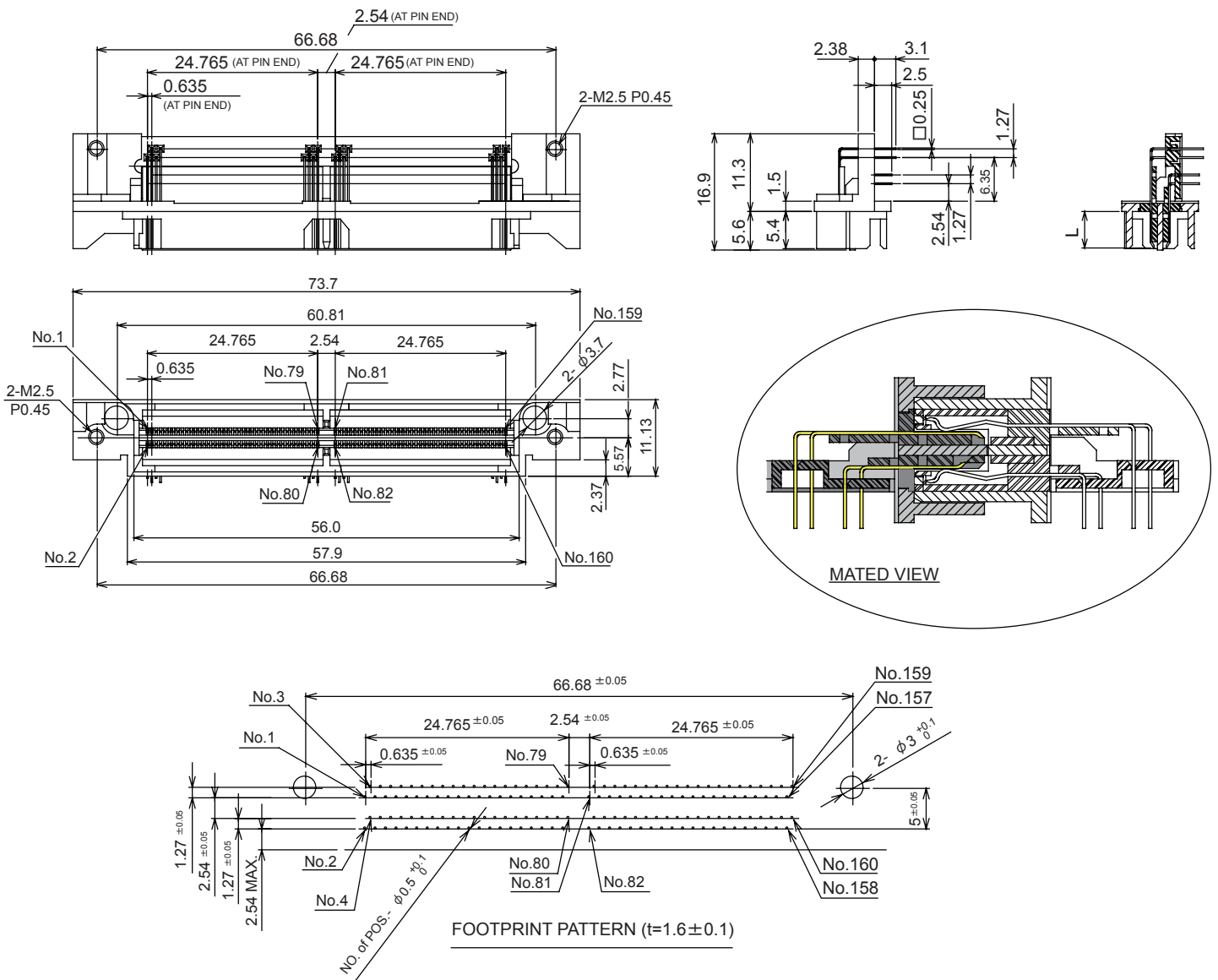
[Part Number]

30057-160T-F

Packing : Tray



L-Pin (L=5.36)	S-Pin (L=3.96)	Screw
17,18,31,32,45,46,59,60,73,74,87,92 107,110,121,125,128,129,141,152,159	OTHERS	With (P/N:90023-001)

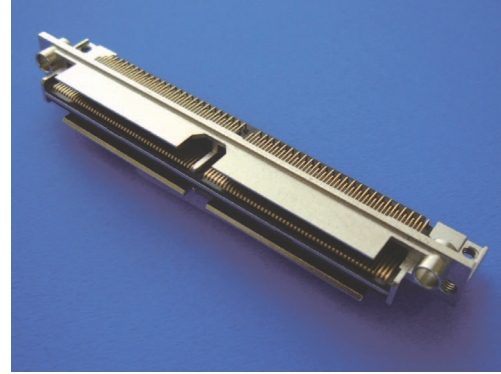


MINIDOCK Standard Type
 PLUG Right Angle
 200p
 All Middle Pin

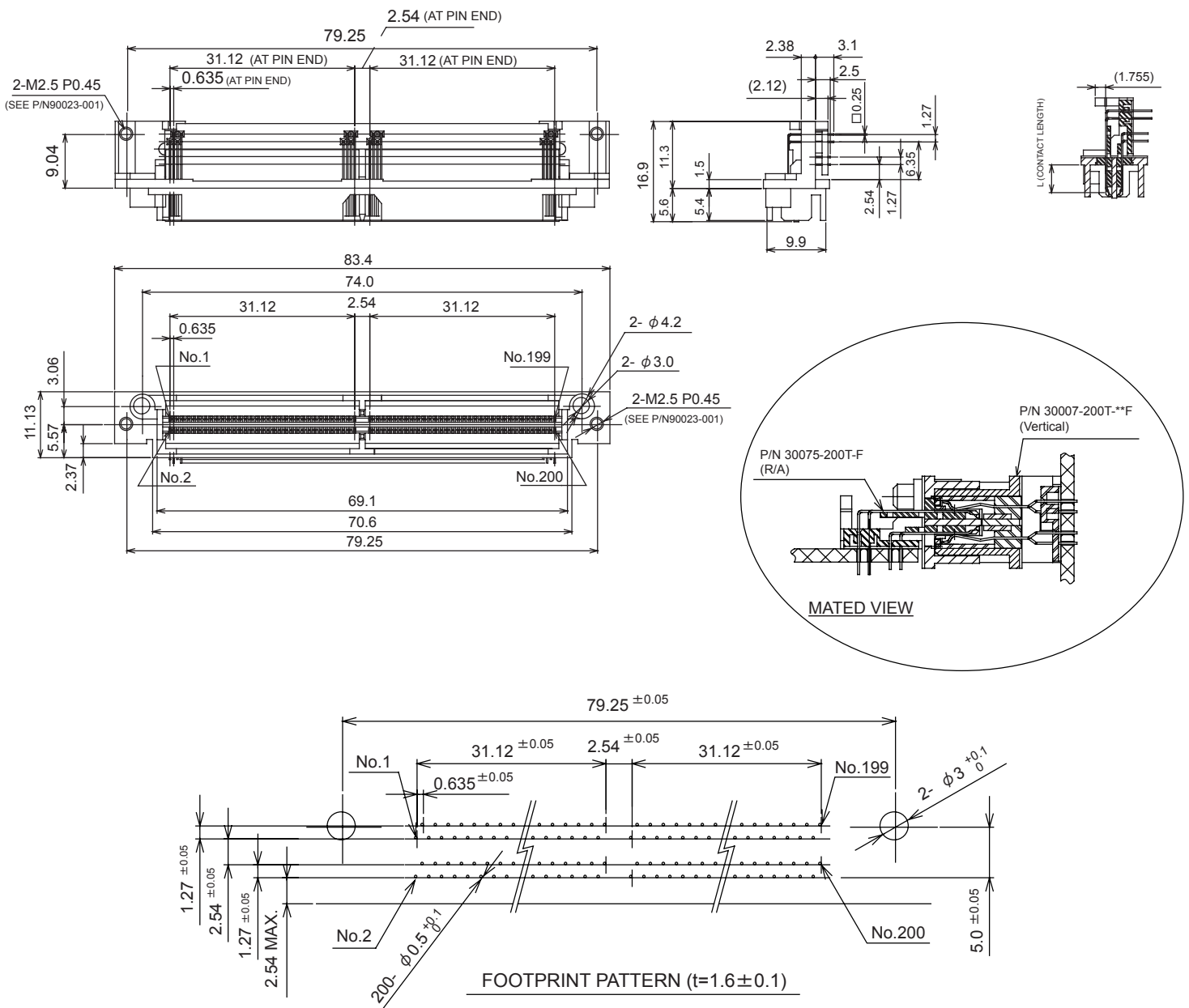
[Part Number]

30075-200T-F

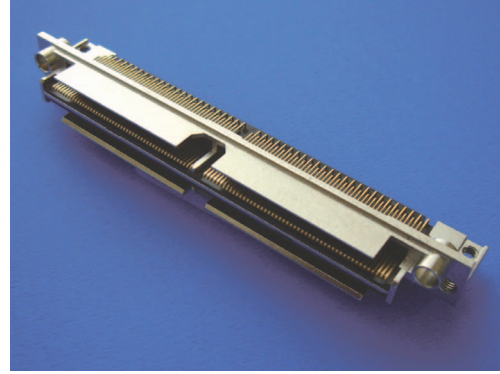
Packing : Tray



Pin Type	Mating Travel of Contact	Screw
M-Pin (L=4.66)	1.4	With (P/N:90023-001)



MINIDOCK Standard Type
 PLUG Right Angle
 100p
 Random Sequence

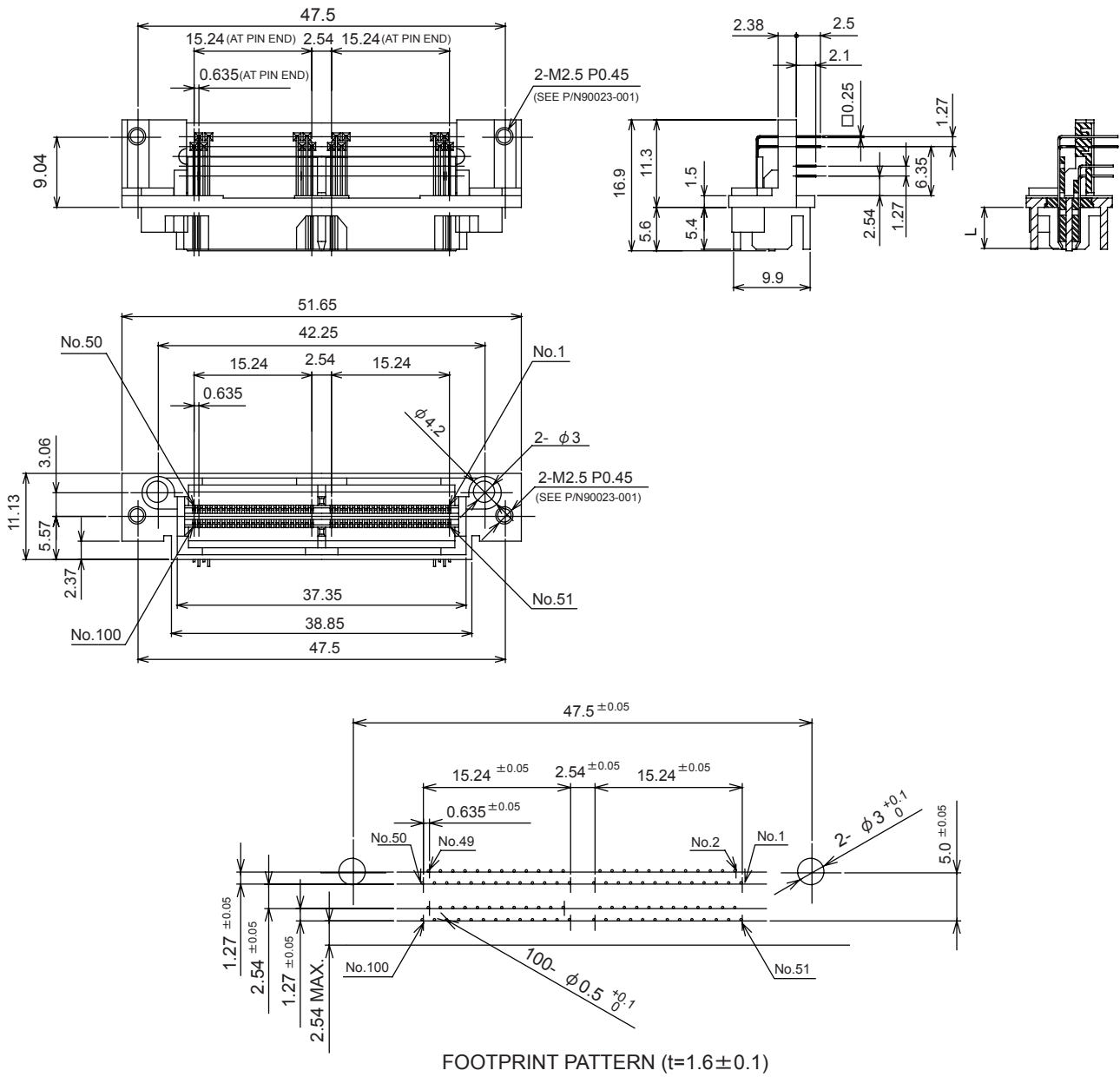


[Part Number]

30082-100T-F

Packing : Tray

L-Pin (L=5.36)	M-Pin (L=4.66)	Screw
1,2,49~52,99,100	OTHERS	With (P/N:90023-001)

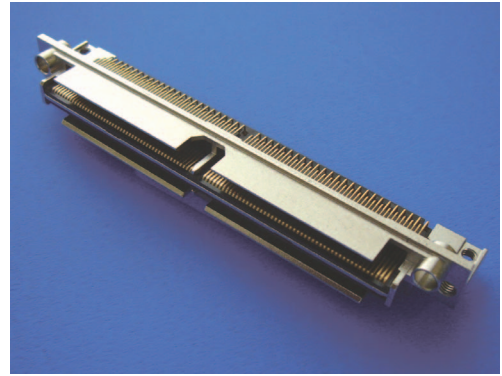


MINIDOCK Standard Type
PLUG Right Angle
200p
All Long Pin Offset Type

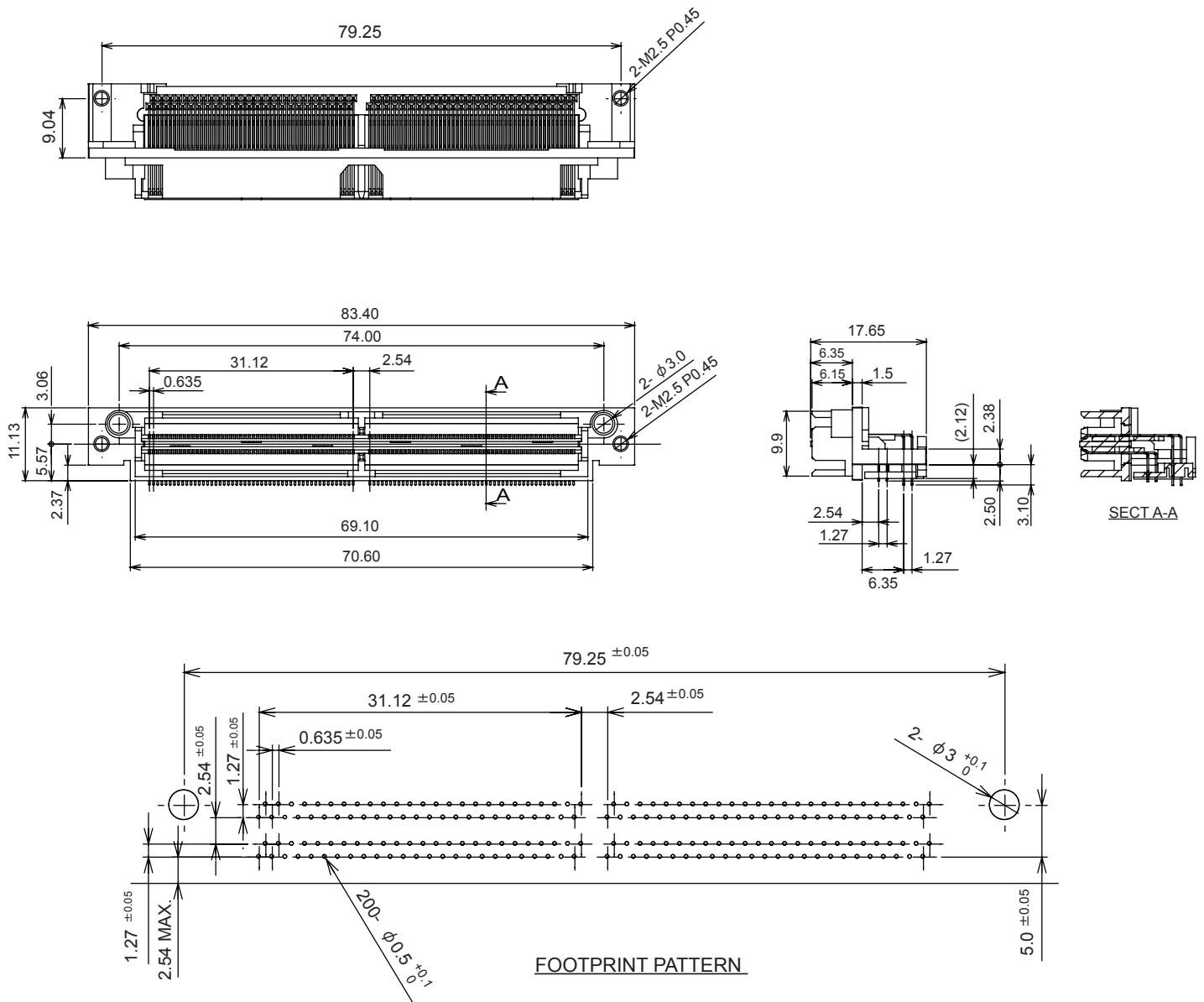
[Part Number]

30094-200T-F

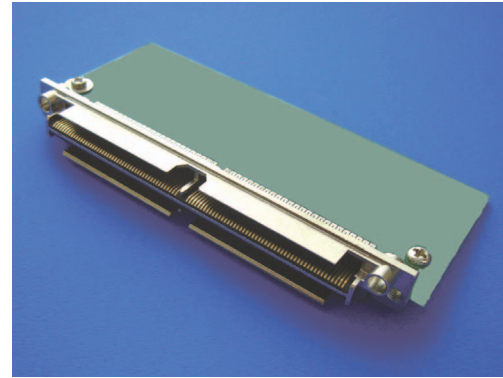
Packing : Tray



*To Be Mated : 30007-200T-03F Only



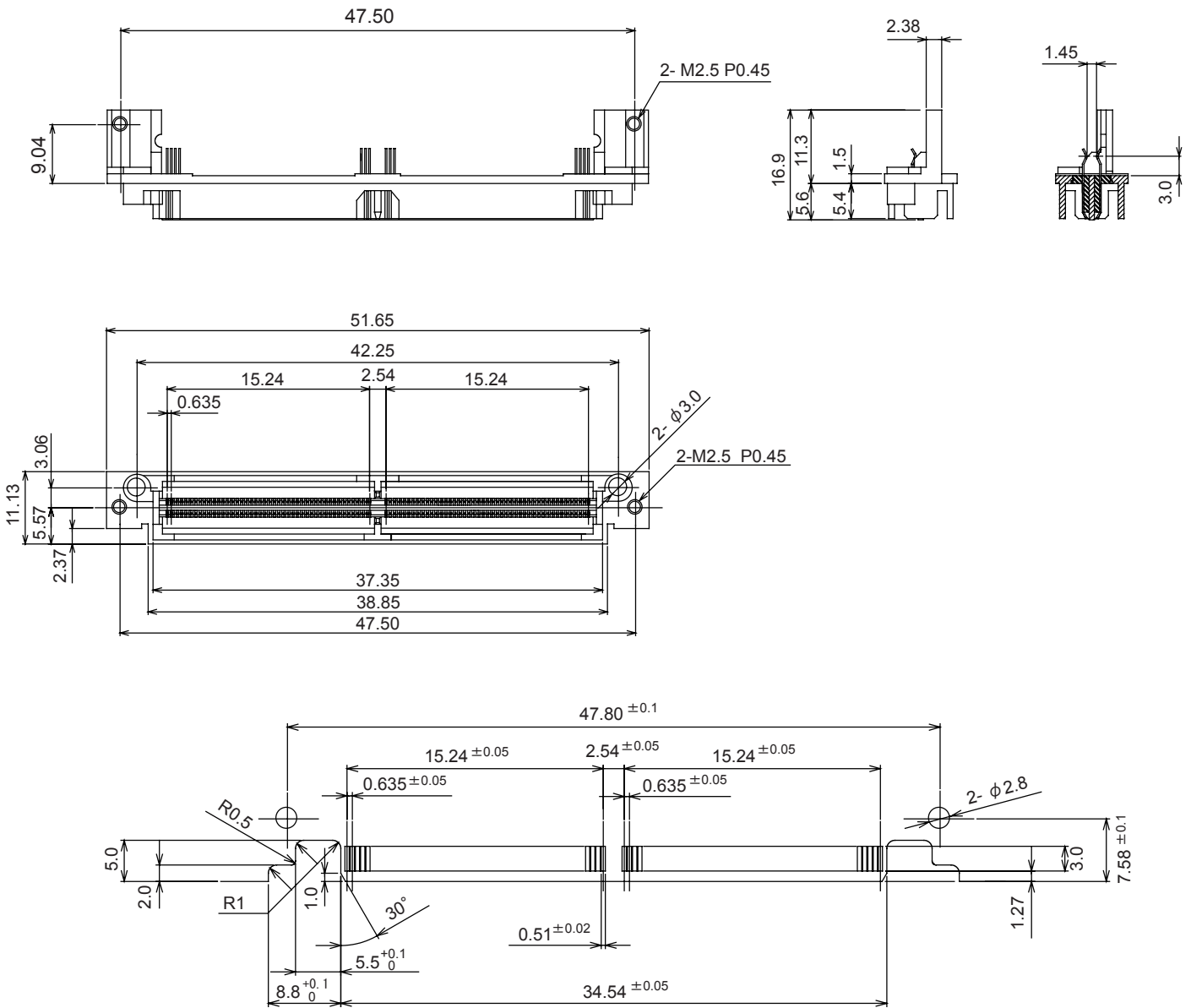
MINIDOCK Standard Type
 PLUG Straddle
 100p
 All Long Pin (Standard)



【Part Number】

30005-100T-F

Packing : Tray



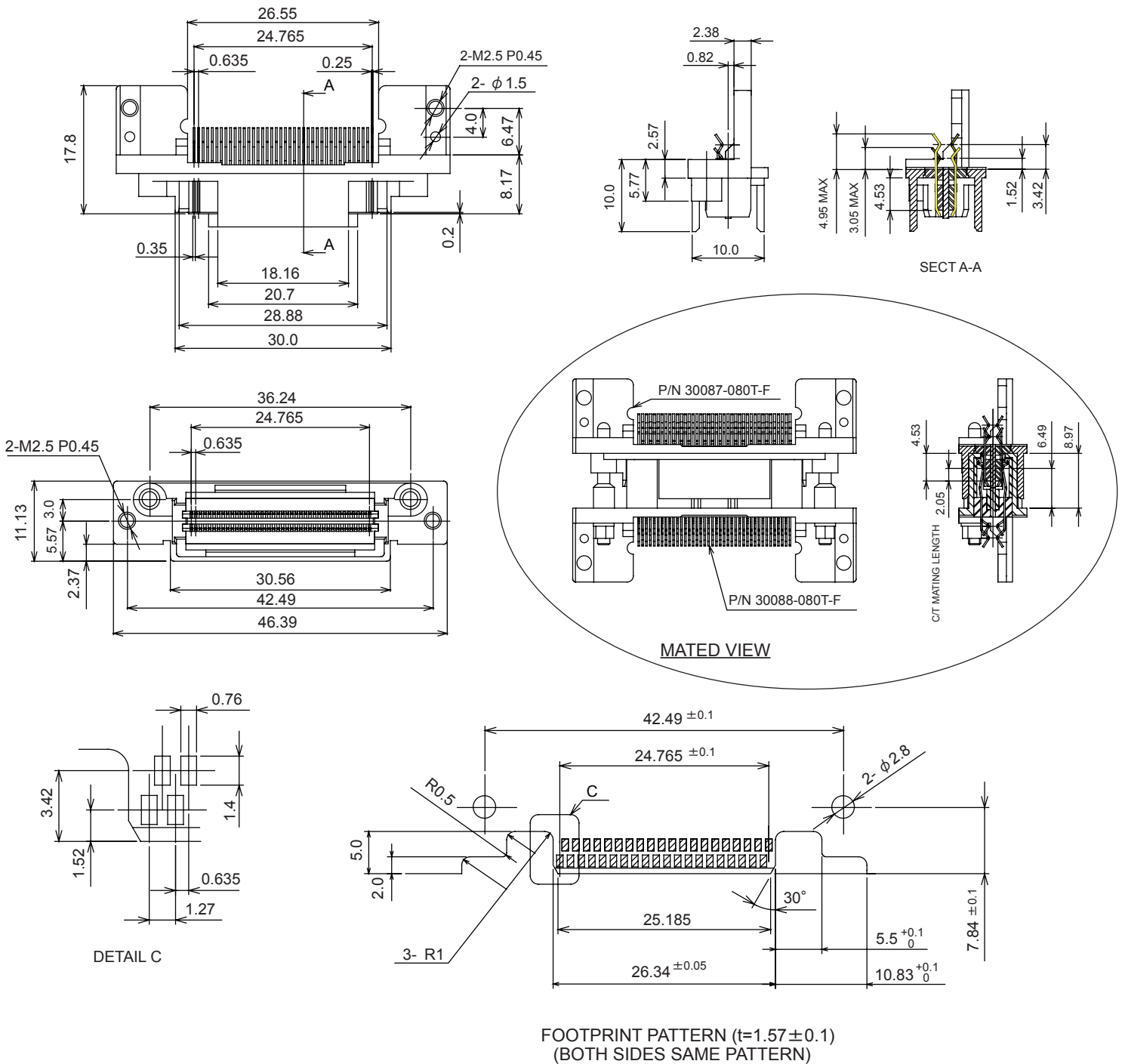
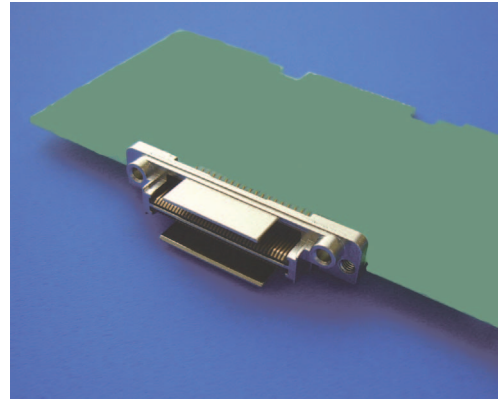
FOOTPRINT PATTERN (t=1.6±0.1)

MINIDOCK Standard Type
 PLUG Straddle Staggered Type
 80p
 All Long Pin (Standard)

[Part Number]

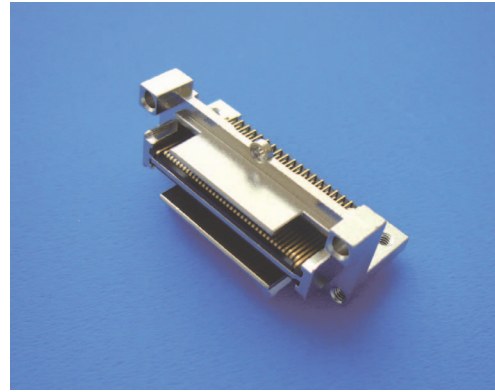
30087-080T-F

Packing : Tray



MINIDOCK Slim Type

PLUG Right Angle
80p
2 Sequence

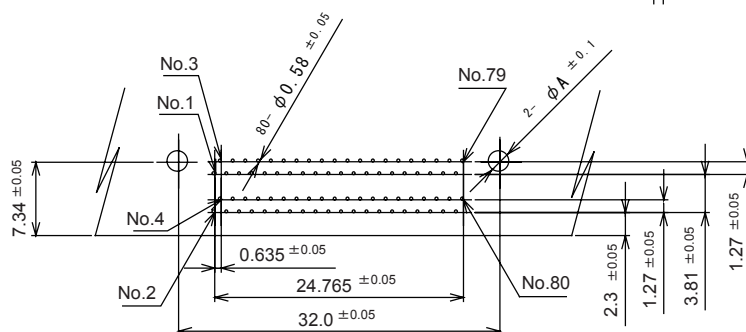
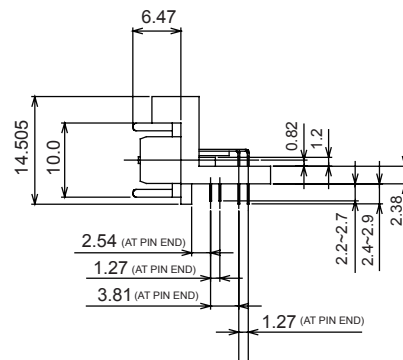
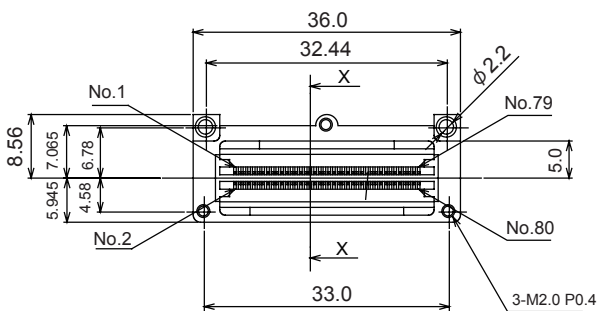
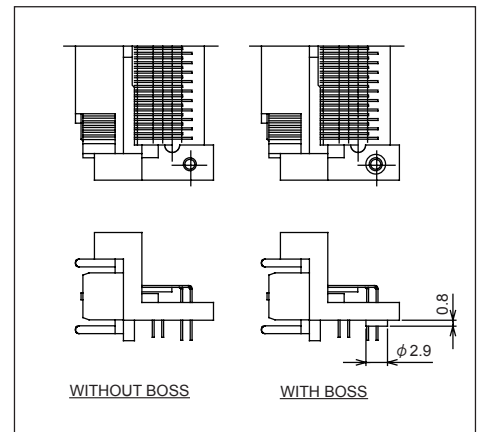
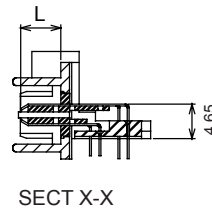
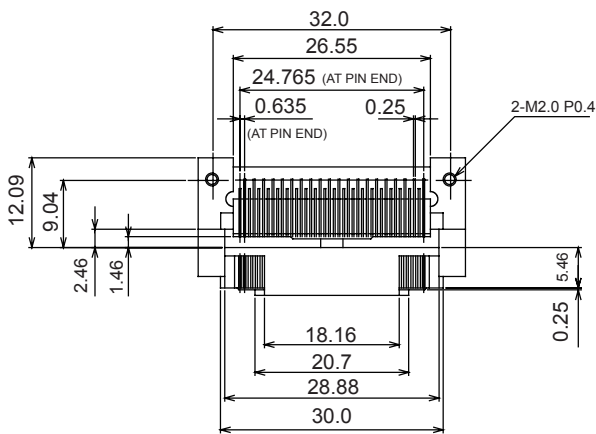


[Part Number]

30029-080T- ** F

Packing : Tray

PART NO.	A	L-Pin (L=5.36)	M-Pin (L=4.66)	BOSS	NOTE
30029-080T-F	2.3	1,2,79,80	OTHERS	Without Boss	With Screw (P/N:90042-001)
30029-080T-01F	2.3				Without Screw
30029-080T-02F	3.1			With Boss	With Screw (P/N:90042-001)
30029-080T-03F	3.1				Without Screw



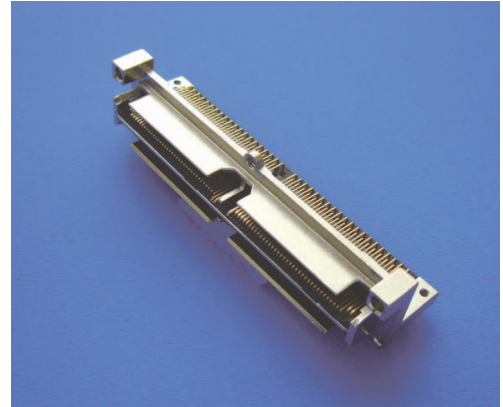
FOOTPRINT PATTERN t=1.6

MINIDOCK Slim Type
 PLUG Right Angle
 160p
 2 Sequence

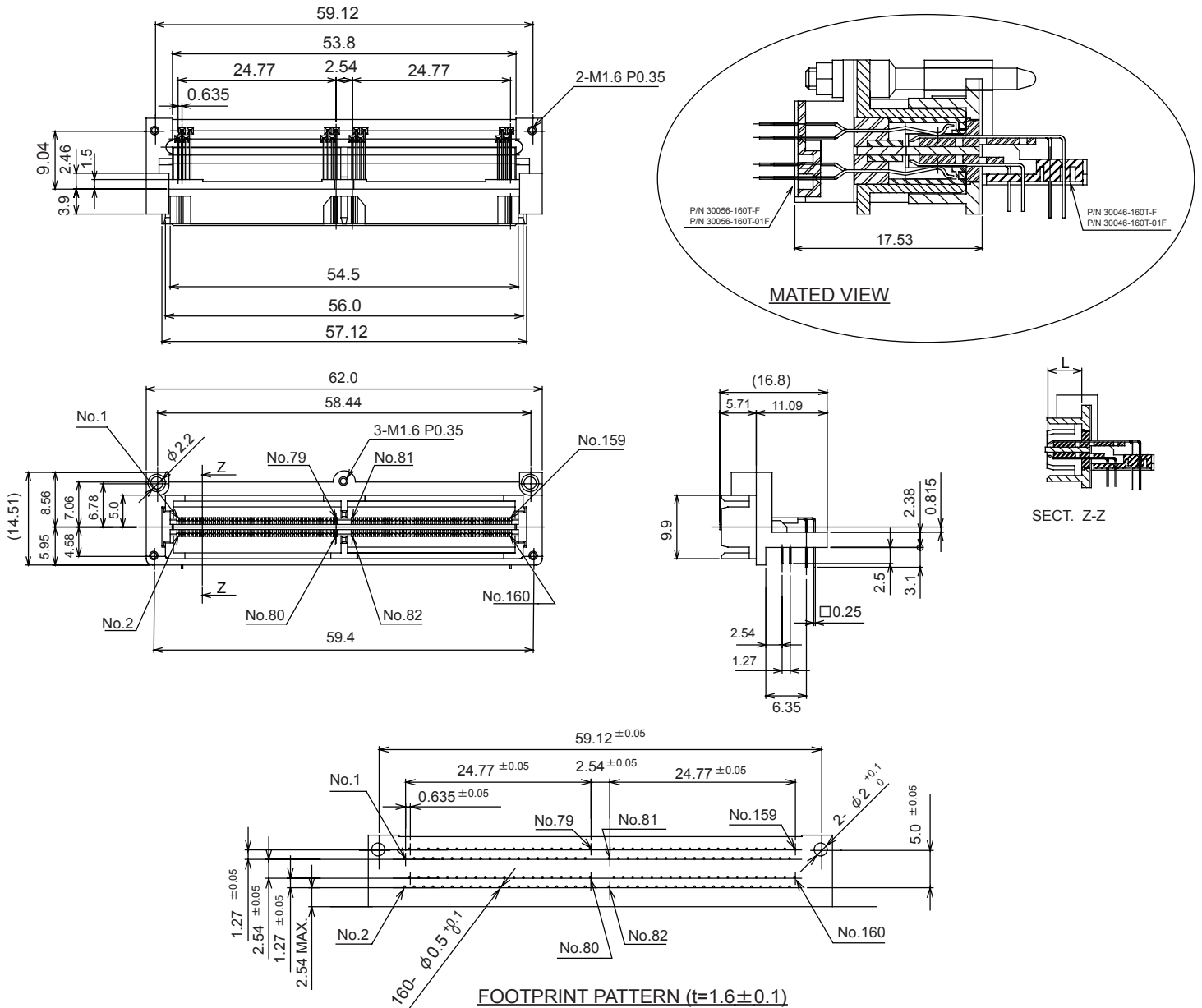
[Part Number]

30046-160T- ** F

Packing : Tray

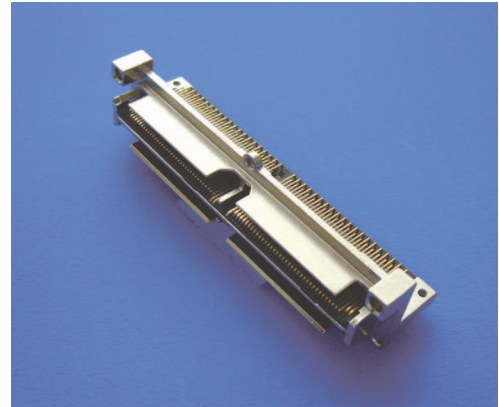


PART NO.	L-Pin (L=5.36)	M-Pin (L=4.66)	NOTE
30046-160T-F	1,2,79,80,81,82,159,160	OTHERS	With Screw (P/N:90061-001)
30046-160T-01F			Without Screw



MINIDOCK Slim Type

PLUG Right Angle
160p
3 Sequence

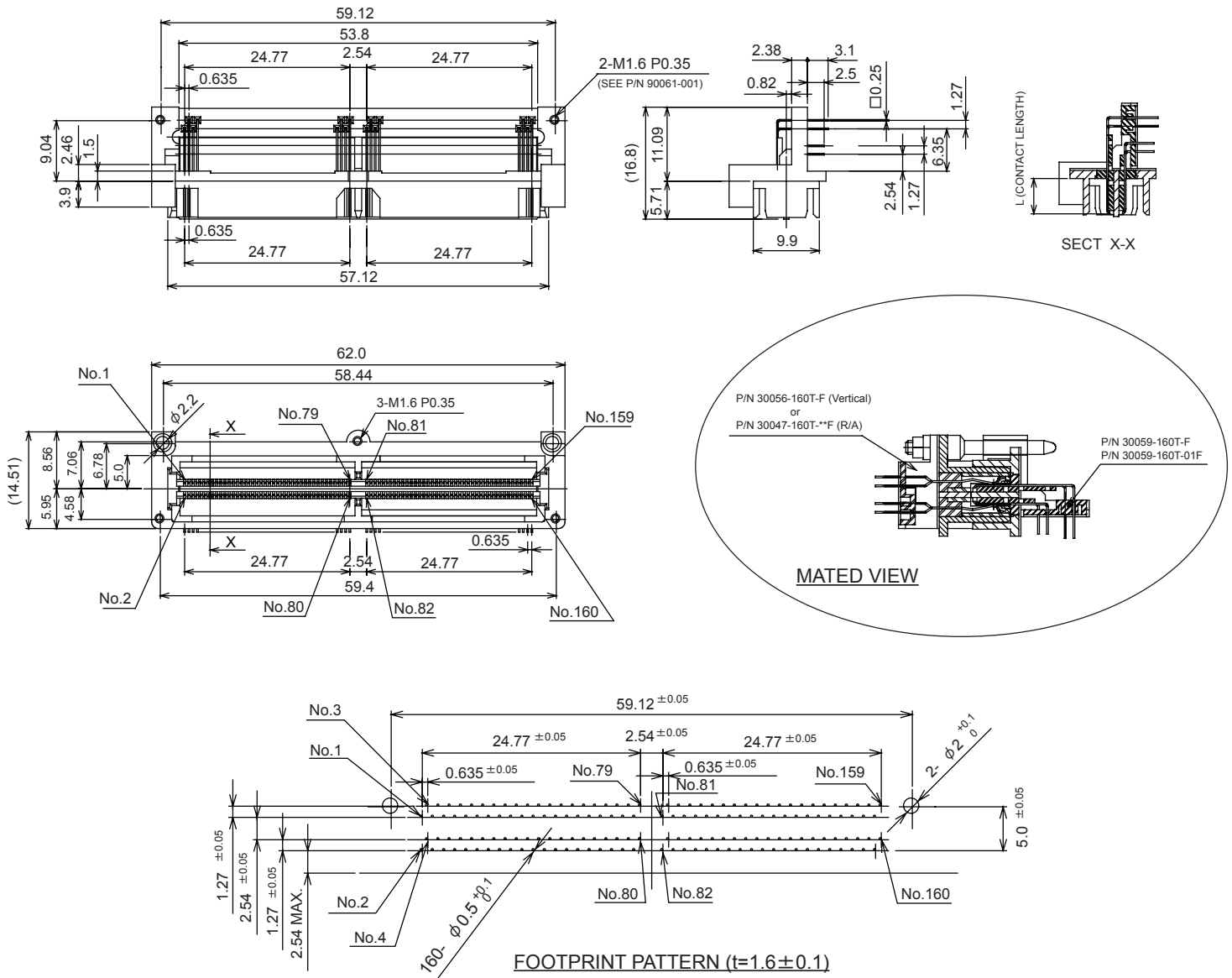


[Part Number]

30059-160T- ** F

Packing : Tray

PART NO.	L-Pin (L=5.36)	M-Pin (L=4.66)	S-Pin (L=3.96)	NOTE
30059-160T-F	77 ~ 84	OTHERS	1 ~ 4, 157 ~ 160	With Screw (P/N:90061-001)
30059-160T-01F				Without Screw

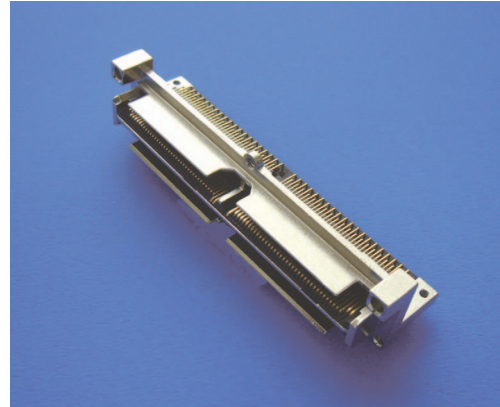


MINIDOCK Slim Type
PLUG Right Angle
 158p
 3 Sequence

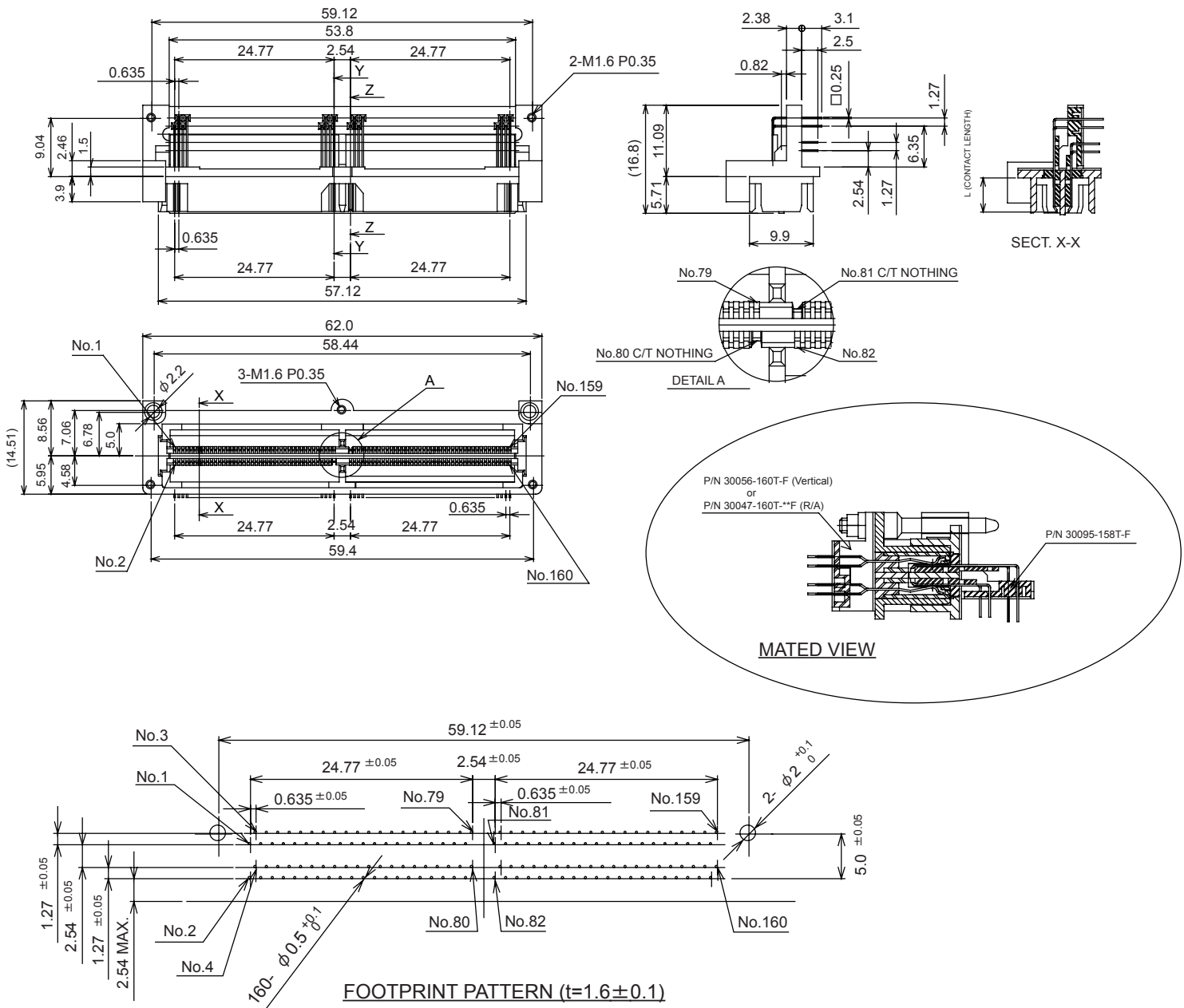
[Part Number]

30095-158T- F

Packing : Tray



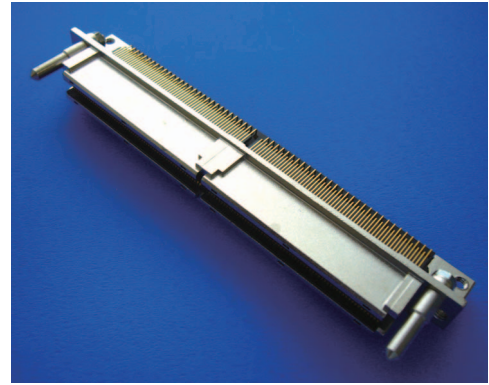
PART NO.	L-Pin (L=5.36)	M-Pin (L=4.66)	S-Pin (L=3.96)	Nothing
30095-158T-F	77 ~ 84	OTHERS	1 ~ 4, 157 ~ 160	80, 81



MINIDOCK Standard Type

RECEPTACLE Right Angle

100p/120p/160p/200p/240p

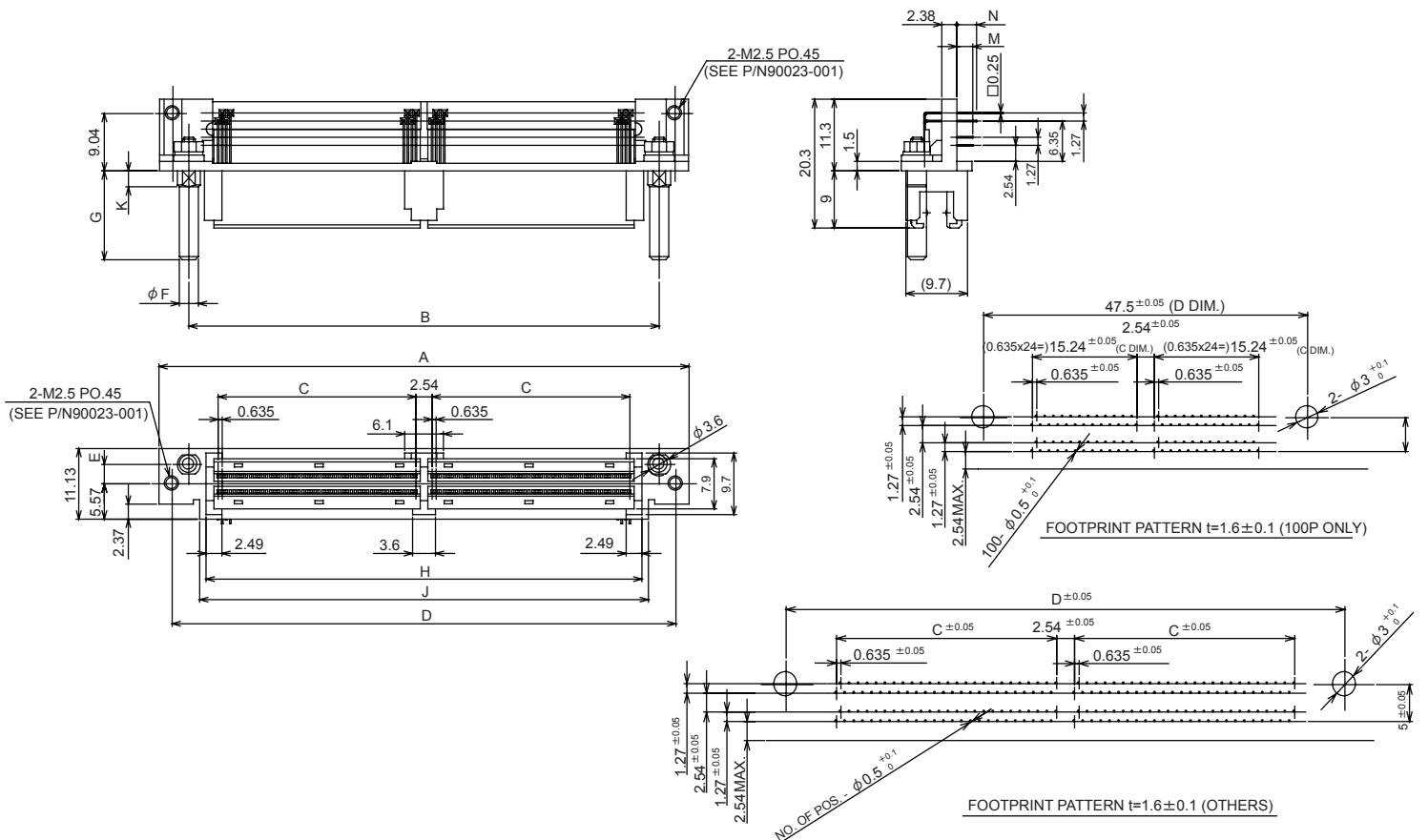


【Part Number】

30002- ** # T - ** F

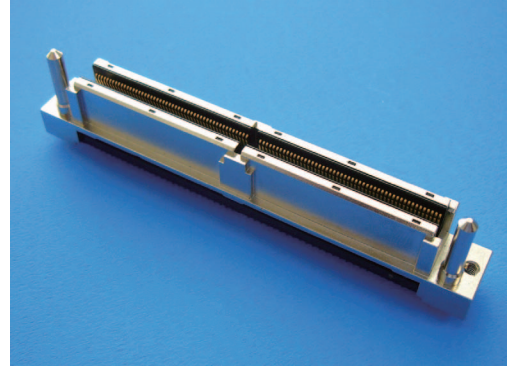
① ② ③ ④

①	POS.	10 : 100pos	12: 120pos	16: 160pos	④	Screw	NON	Without Screw	
		20: 200pos	24: 240pos	01			With Screw (P/N: 90023-001)		
②	Finish of Contact Area	0	Au Flash			④	Screw	02	With Screw (P/N: 90023-001)
		A	Au 0.75u m Min.					02	With Screw (P/N: 90023-001) Guide Pin 14.0mm (160p Only)
③	Packaging	T	Tray						



PART NO.	POS.	A	B	C	D	E	F	G	H	J	K	M	N
30002-10#T-**F	100p	51.65	42.25	15.24	47.50	3.06	φ 2.9	14.0	37.35	38.85	2.5	2.8	2.8
30002-12#T-**F	120p	58.00	48.60	18.42	53.85				43.70	45.20			
30002-16#T-**F	160p	73.70	60.81	24.77	66.68	2.77	φ 3.6	19.0	56.00	57.90	2.5	2.5	3.1
30002-16#T-O2F								14.0	56.00	57.90			
30002-20#T-**F	200p	83.40	74.00	31.12	79.25	3.06	φ 2.9	14.0	68.58	70.60	2.5	2.5	3.1
30002-24#T-F	240p	96.10	86.70	37.47	91.95				81.80	83.30			
30002-24#T-O1F						5.3	5.3						

MINIDOCK Standard Type
RECEPTACLE Vertical
200p

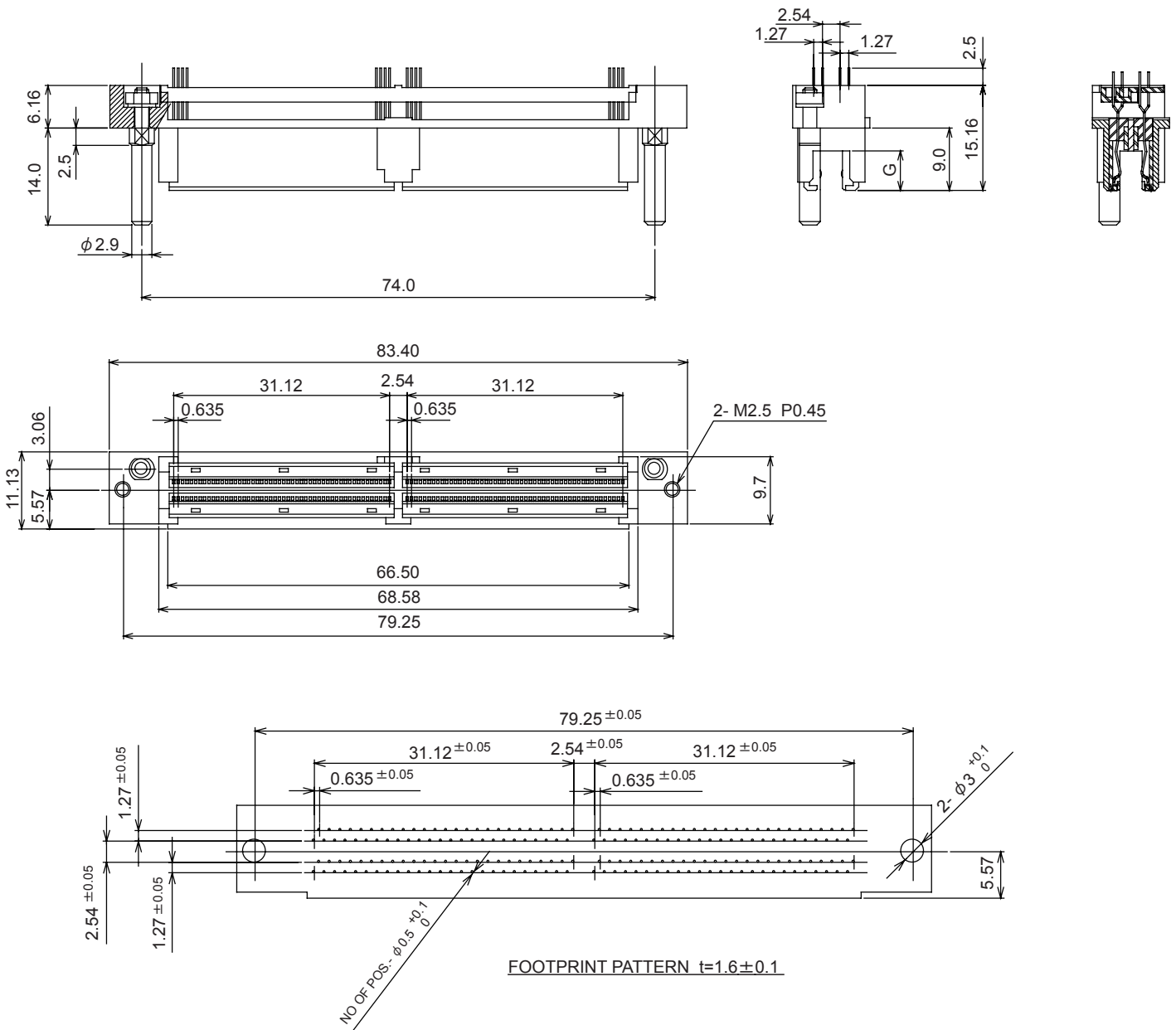


【Part Number】

30007-200T- ** F

Packing : Tray

PART NO.	G	NOTE
30007-200T-F	5.70	
30007-200T-03F	6.45	To Be Mated 30094

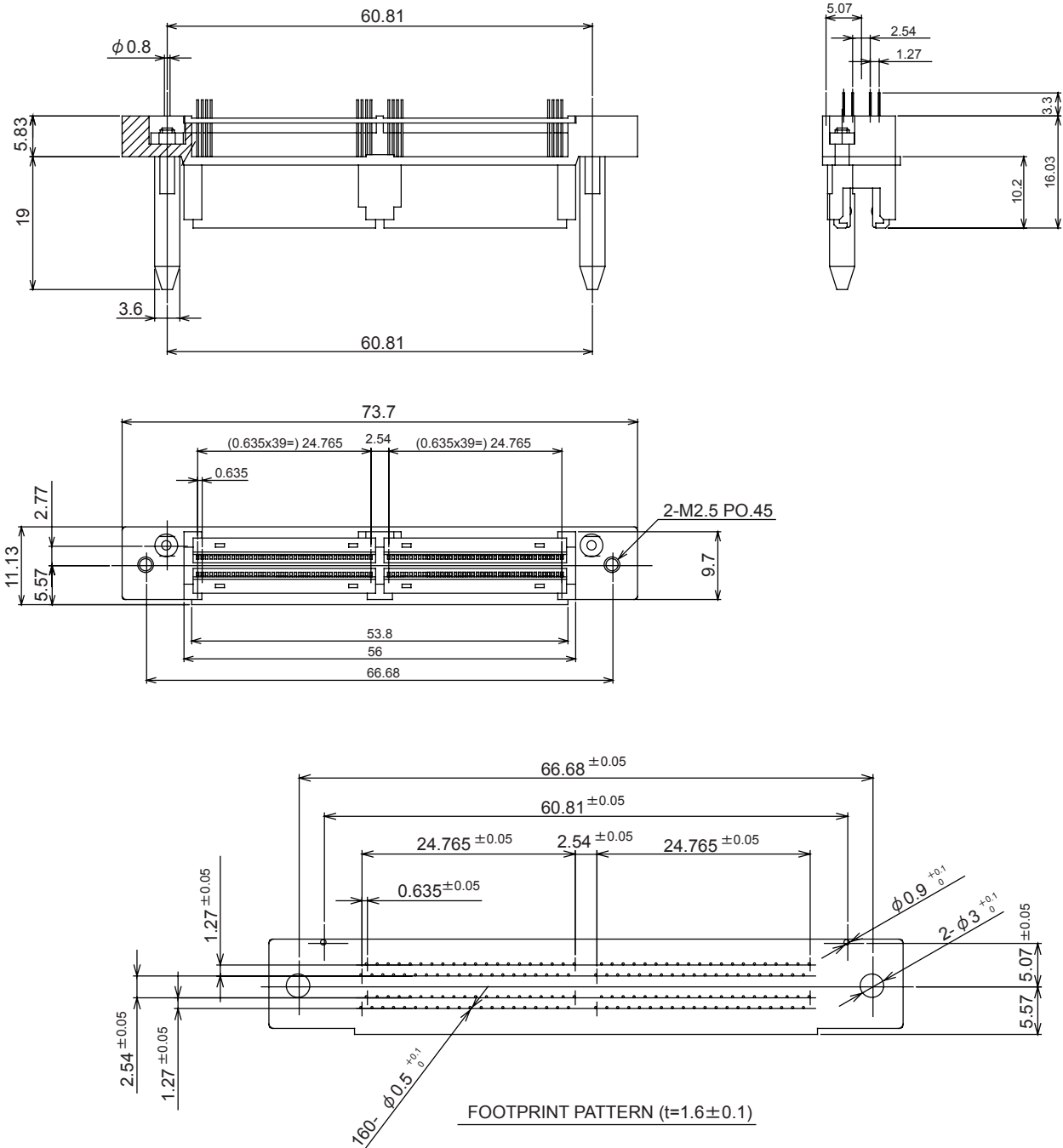
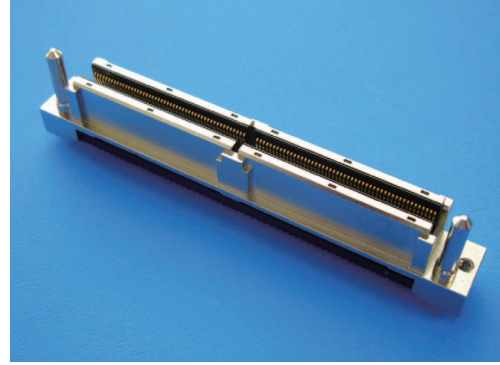


MINIDOCK Standard Type
 RECEPTACLE Vertical
 160p

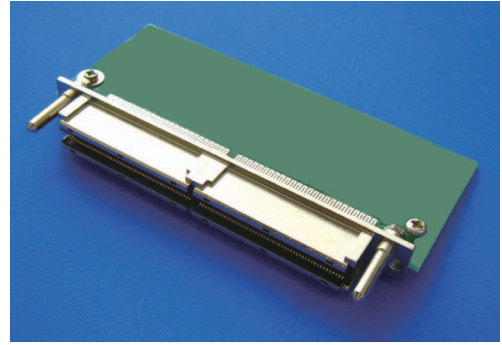
【Part Number】

30009-160T- F

Packing : Tray



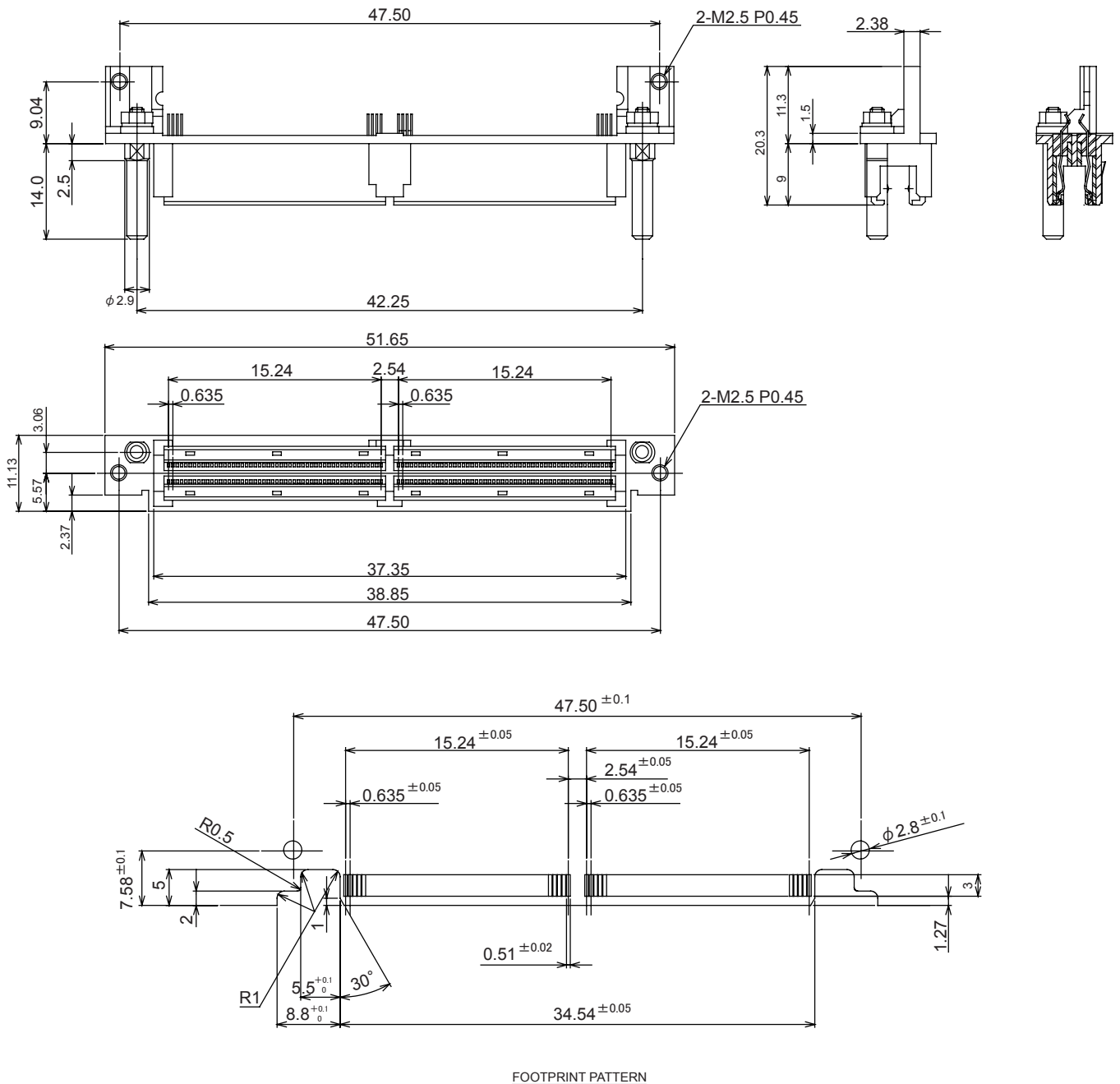
MINIDOCK Standard Type
RECEPTACLE Straddle
100p



【Part Number】

30006-100T- F

Packing : Tray

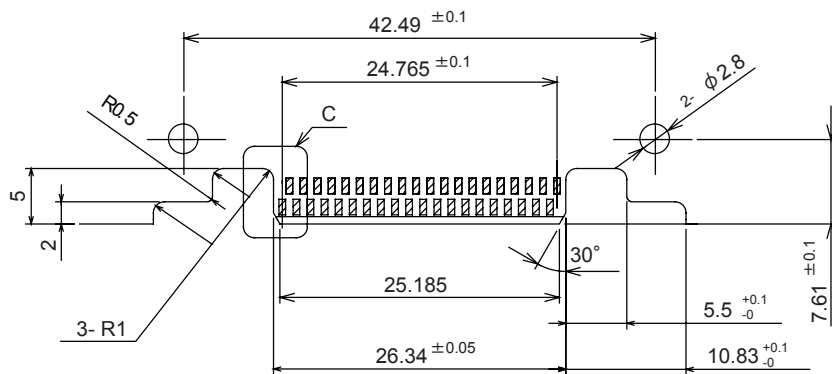
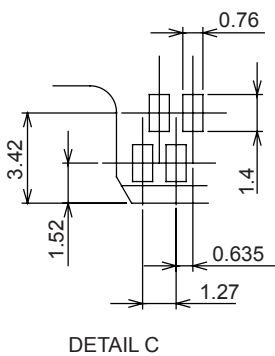
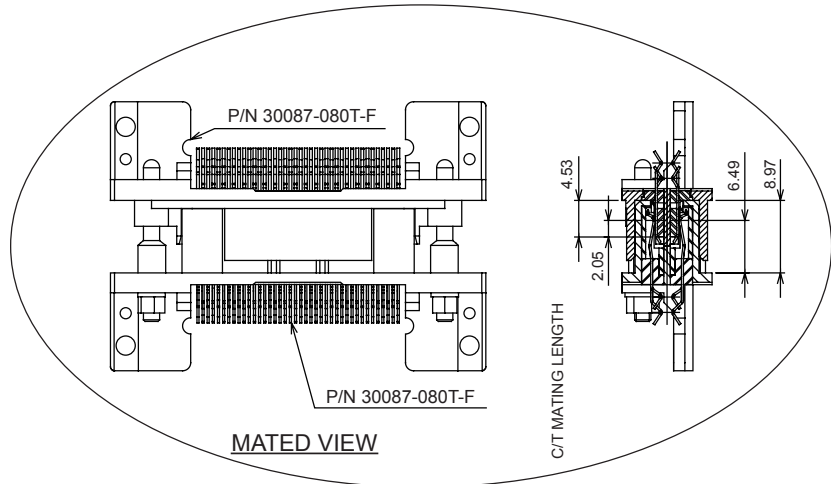
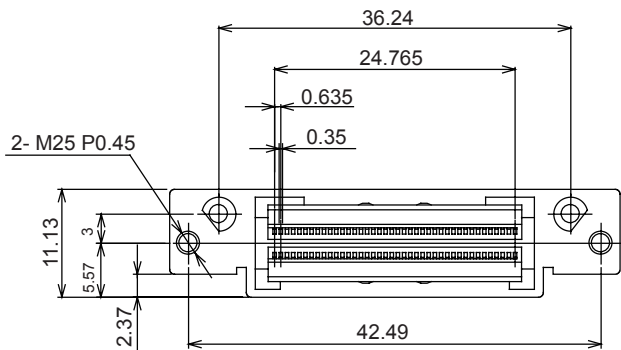
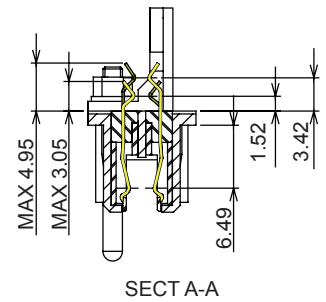
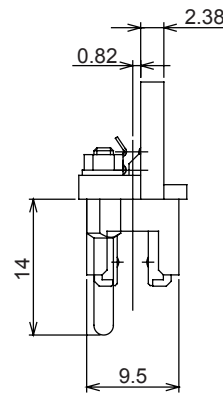
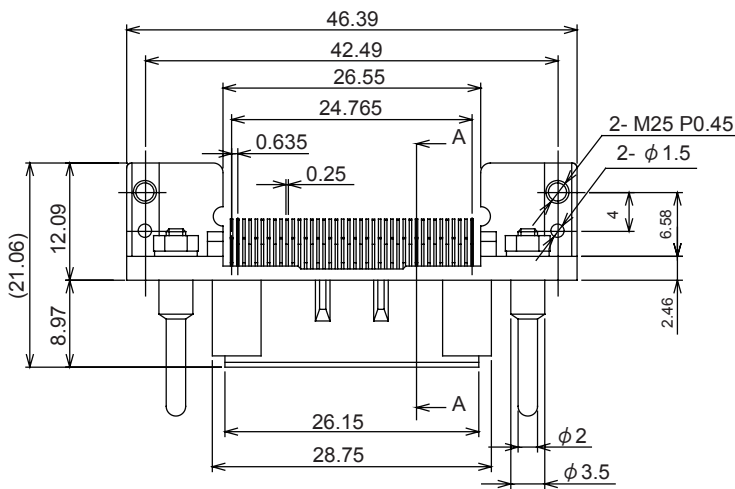
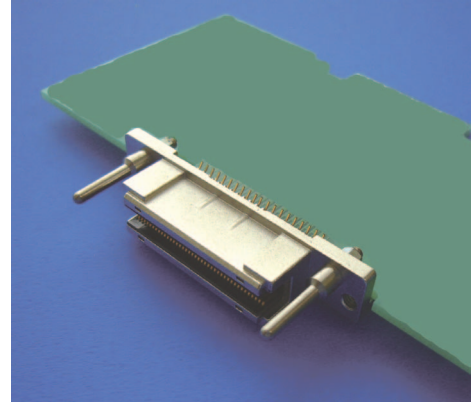


MINIDOCK Standard Type
 RECEPTACLE Straddle Staggered Type
 80p

[Part Number]

30088-080T- F

Packing : Tray



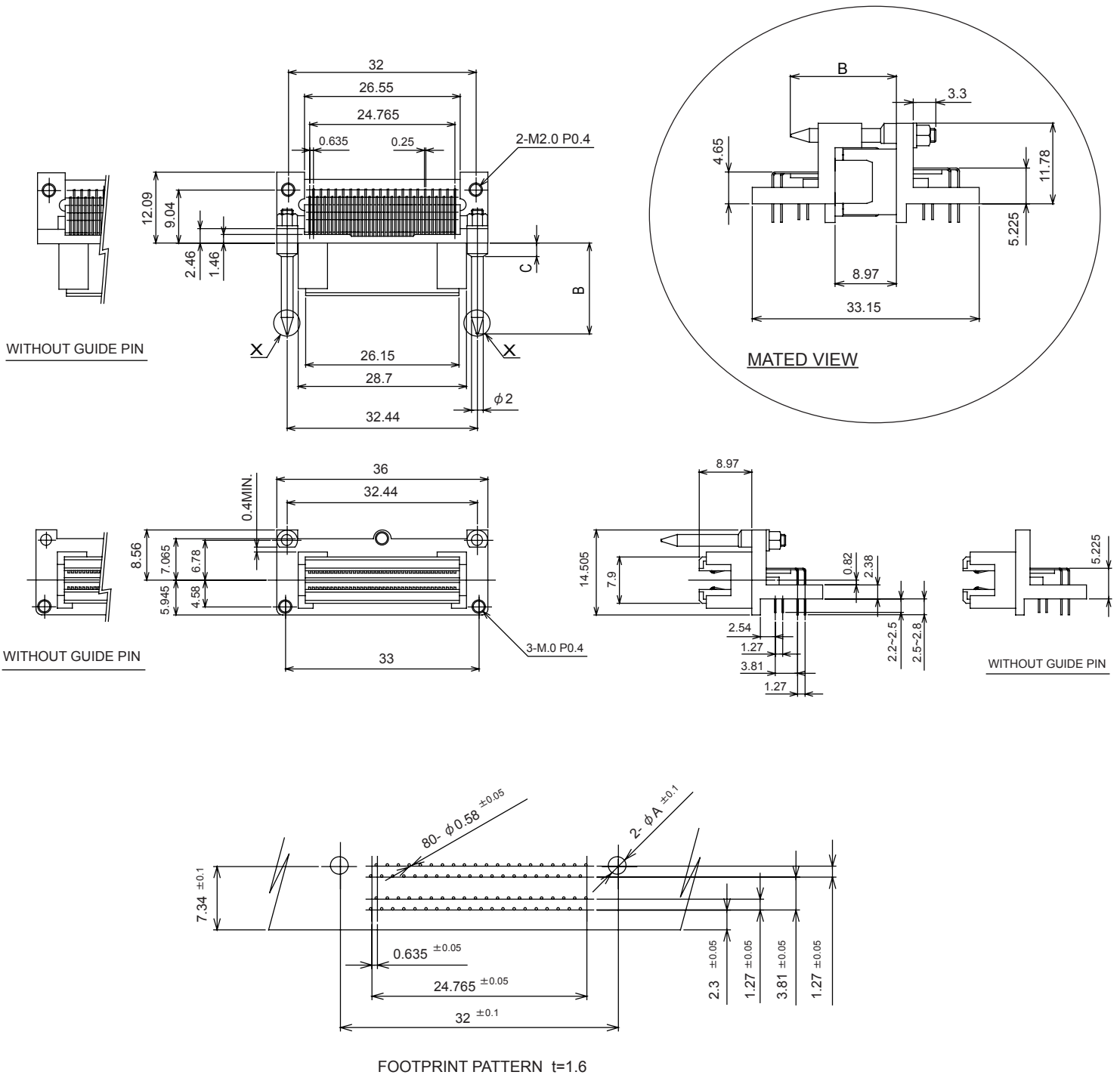
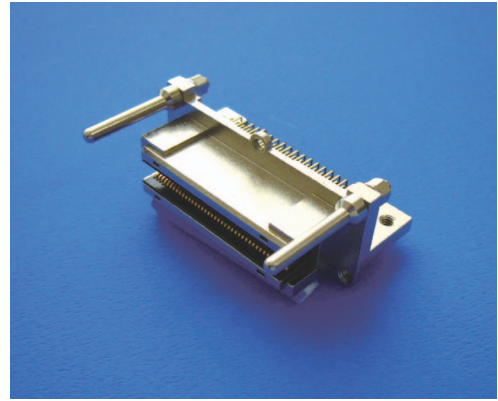
FOOTPRINT PATTERN (T=1.57±0.1)
 (BOTH SIDES SAME PATTERN)

MINIDOCK Slim Type
RECEPTACLE Right Angle
80p

[Part Number]

30030-080T- ** F

Packing : Tray



30030-080T-**F

PART NO.	Guide Pin Type	BOSS	A	B	C	NOTE
30030-080T-F	TAPER TOP	Without BOSS	2.3	15.5	2.4	With Screw (P/N : 90042-001)
30030-080T-01F	SPHERE TOP					Without Screw
30030-080T-02F	TAPER TOP					With Screw (P/N : 90042-001)
30030-080T-03F	SPHERE TOP					Without Screw
30030-080T-04F	Without Guide Pin Without Nut, Washer					-
30030-080T-05F		Without Screw				
30030-080T-06F	TAPER TOP	With BOSS	3.1	15.5		With Screw (P/N : 90042-001)
30030-080T-07F	SPHERE TOP					Without Screw
30030-080T-08F	TAPER TOP					With Screw (P/N : 90042-001)
30030-080T-09F	SPHERE TOP					Without Screw
30030-080T-10F	Without Guide Pin Without Nut, Washer				-	With Screw (P/N : 90042-001)
30030-080T-11F		Without Screw				
30030-080T-12F	2'nd SPHERE TOP	Without BOSS	2.3	15.5	With Screw (P/N : 90042-001)	
30030-080T-13F		Without Screw				
30030-080T-14F		With BOSS	3.1		With Screw (P/N : 90042-001)	
30030-080T-15F		Without Screw				
30030-080T-16F	SPHERE TOP	Without BOSS	2.3	13.0	Without Screw	
30030-080T-17F	TAPER TOP (MTL:STAINLESS STEEL)			15.5		
30030-080T-18F	SPHERE TOP (MTL:STAINLESS STEEL)					
30030-080T-19F	SPHERE TOP	With BOSS	3.1	14.0	4.0	With Screw (P/N : 90042-001)

DETAIL X

GUIDE PIN TYPE



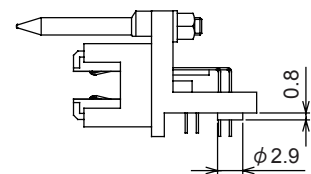
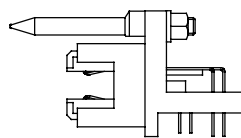
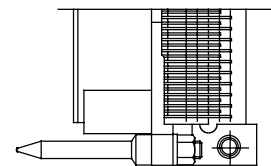
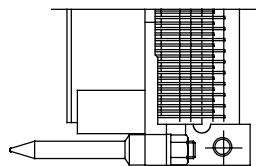
TAPPER TOP



SPHERE TOP



2nd SPHERE TOP

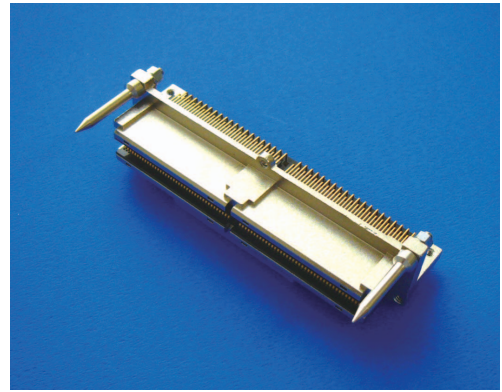


WITHOUT BOSS

WITH BOSS

MINIDOCK

Slim Type
RECEPTACLE Right Angle
160p

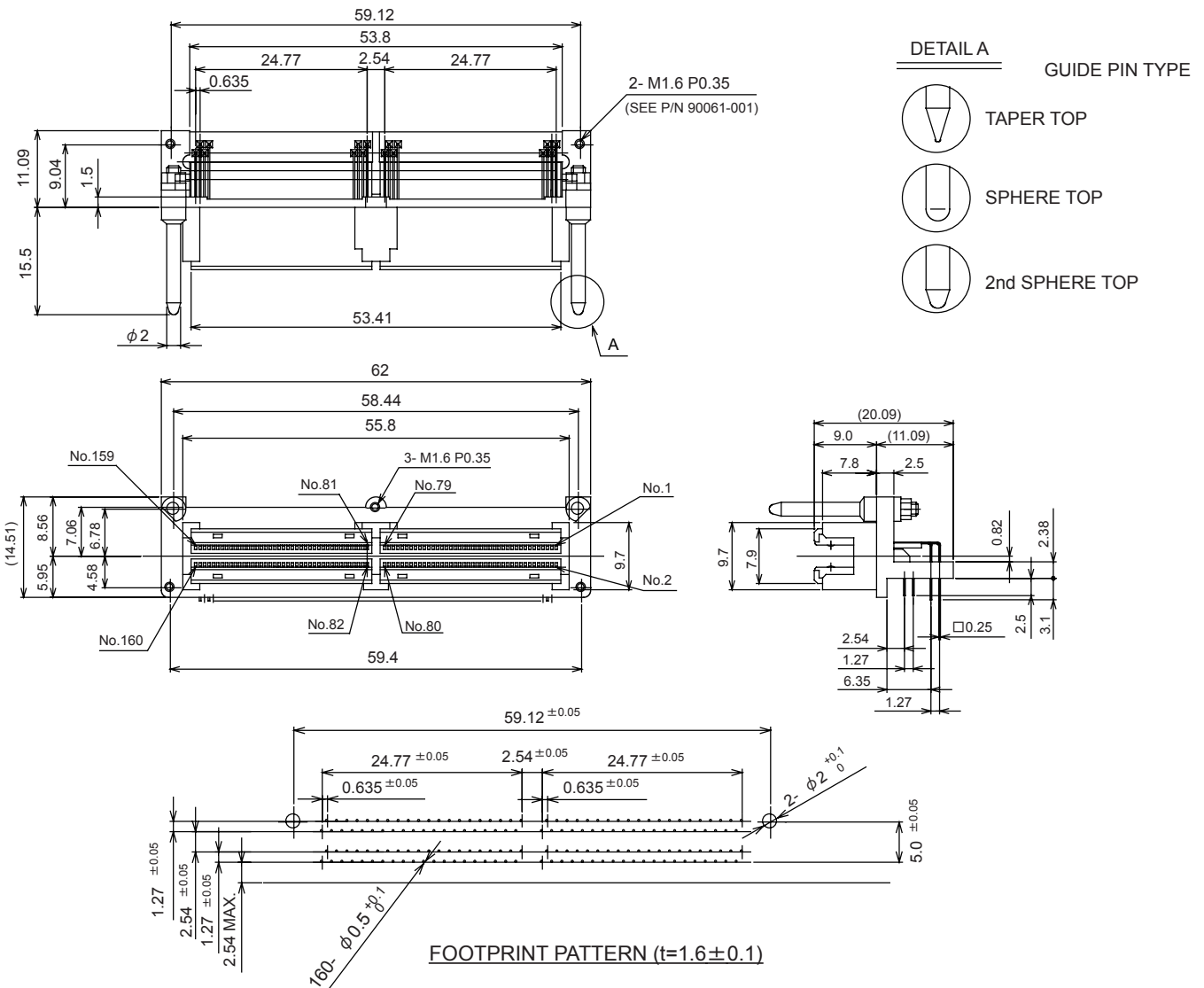


[Part Number]

30047-160T- ** F

Packing : Tray

PART NO.	NOTE	Guide Pin Type
30047-160T-F	With Screw (P/N : 90061-001)	TAPER TOP
30047-160T-01F	Without Screw	
30047-160T-02F	With Screw (P/N : 90061-001)	SPHERE TOP
30047-160T-03F	Without Screw	
30047-160T-04F	With Screw (P/N : 90061-001)	2'nd SPHERE TOP
30047-160T-05F	Without Screw	

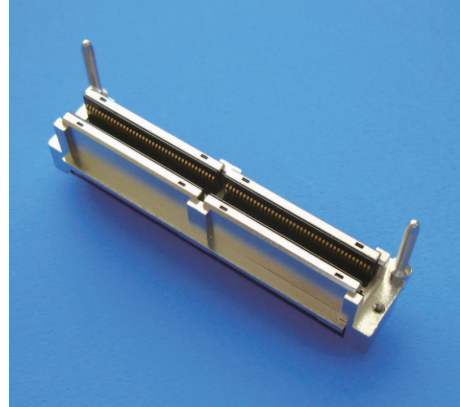


MINIDOCK Slim Type RECEPTACLE Vertical 160p

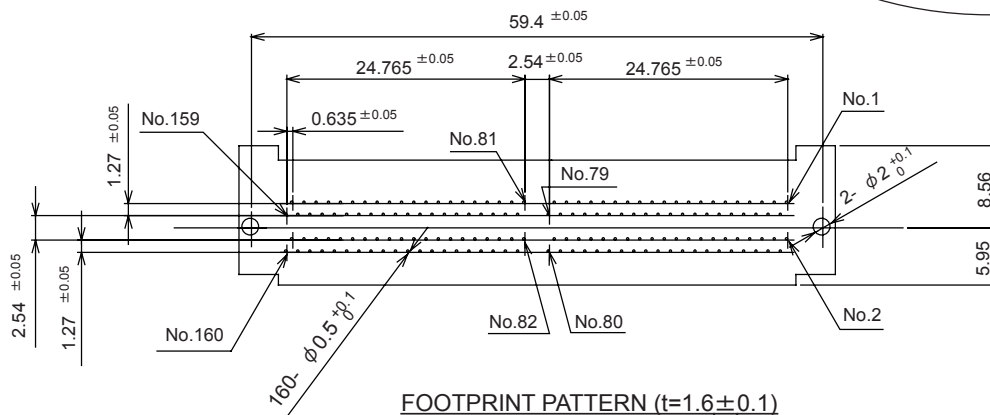
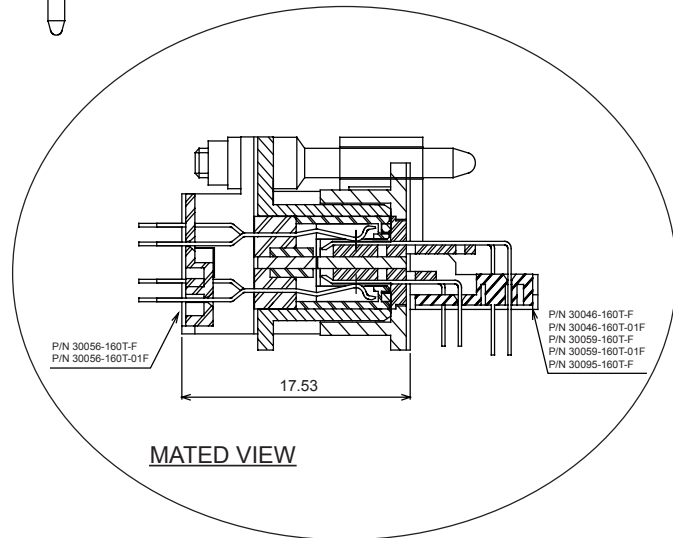
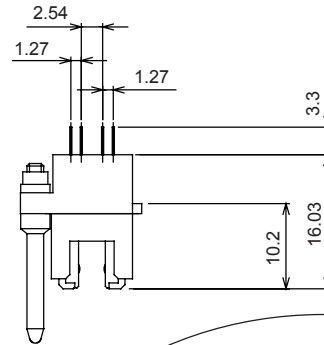
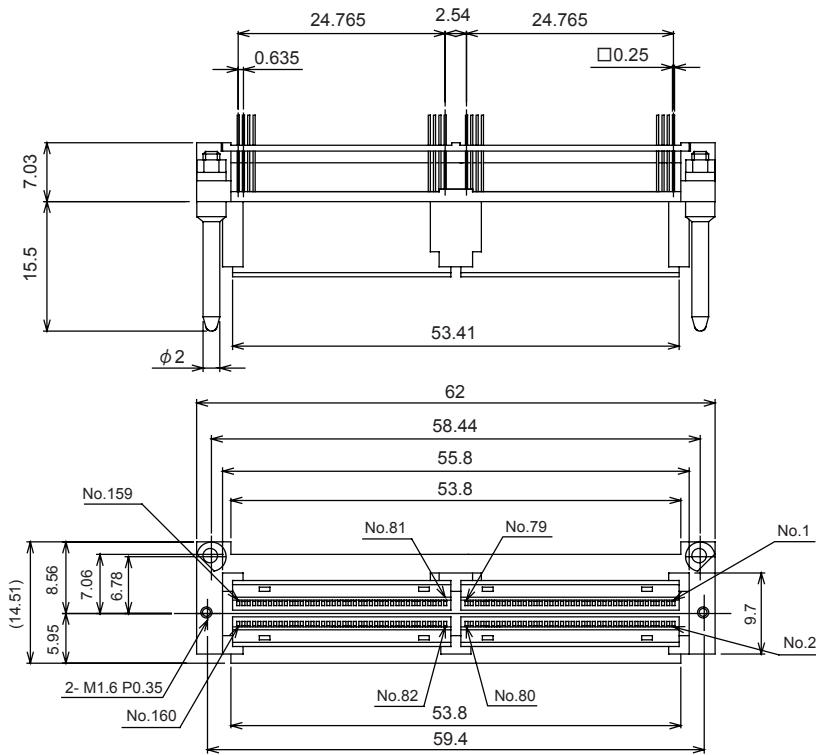
【Part Number】

30056-160T- ** F

Packing : Tray

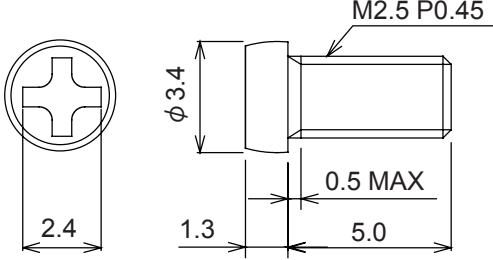
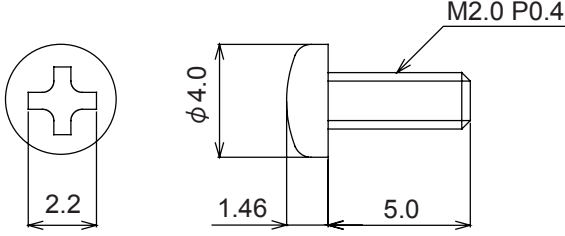
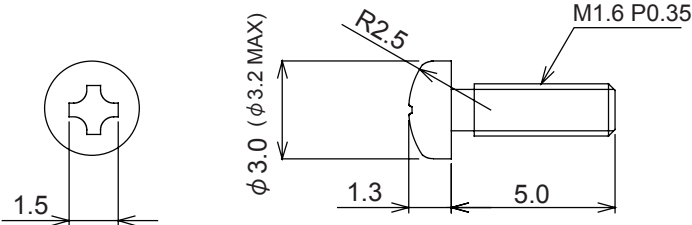


PART NO.	NOTE
30056-160T-F	With Screw (P/N:90061-001)
30056-160T-01F	Without Screw



Addendum

Screw Overview

PART NO.	Drawing	Adaptation
90023-001		30001-***T-**F 30002-***T-**F 30057-160T-F 30075-200T-F 30082-100T-F
90042-001		30029-080T-**F 30030-080T-**F
90061-001		30046-160T-**F 30047-160T-**F 30056-160T-**F 30059-160T-**F

~ MEMO ~



MINIDOCK SERIES CONNECTORS

I-PEX Co.,Ltd.

Distributed by:



B.C.E. S.r.l.

Via Regina Pacis, 54/c - I 41049 Sassuolo - (MO)

Tel: (+39) 0536 811616 - **Fax:** (+39) 0536 811500

E-mail.: bce@bce.it • **Home Page :** www.bce.it

Product design and specification is subject to change for improvement without notice in advance. Please inquire to I-PEX representative for your confirmation.