



复旦微电子

FM17XX Serial Contactless Readers ICS

Datasheet

May. 2012



INFORMATION IN THIS DOCUMENT IS INTENDED AS A REFERENCE TO ASSIST OUR CUSTOMERS IN THE SELECTION OF SHANGHAI FUDAN MICROELECTRONICS GROUP CO., LTD PRODUCT BEST SUITED TO THE CUSTOMER'S APPLICATION; THEY DO NOT CONVEY ANY LICENSE UNDER ANY INTELLECTUAL PROPERTY RIGHTS, OR ANY OTHER RIGHTS, BELONGING TO SHANGHAI FUDAN MICROELECTRONICS GROUP CO., LTD OR A THIRD PARTY. WHEN USING THE INFORMATION CONTAINED IN THIS DOCUMENTS, PLEASE BE SURE TO EVALUATE ALL INFORMATION AS A TOTAL SYSTEM BEFORE MAKING A FINAL DECISION ON THE APPLICABILITY OF THE INFORMATION AND PRODUCTS. SHANGHAI FUDAN MICROELECTRONICS GROUP CO., LTD ASSUMES NO RESPONSIBILITY FOR ANY DAMAGE, LIABILITY OR OTHER LOSS RESULTING FROM THE INFORMATION CONTAINED HEREIN. SHANGHAI FUDAN MICROELECTRONICS GROUP CO., LTD PRODUCTS ARE NOT INTENDED FOR USE IN MEDICAL, LIFE SAVING, OR LIFE SUSTAINING APPLICATIONS. THE PRIOR WRITTEN APPROVAL OF SHANGHAI FUDAN MICROELECTRONICS GROUP CO., LTD IS NECESSARY TO REPRINT OR REPRODUCE IN WHOLE OR IN PART THESE DOCUMENTS.

Future routine revisions will occur when appropriate, without notice. Contact Shanghai Fudan Microelectronics Group Co., Ltd sales office to obtain the latest specifications and before placing your product order. Please also pay attention to information published by Shanghai Fudan Microelectronics Group Co., Ltd by various means, including Shanghai Fudan Microelectronics Group Co., Ltd home page (<http://www.fmsh.com/>).

Please contact Shanghai Fudan Microelectronics Group Co., Ltd local sales office for the specification regarding the information in this documents or Shanghai Fudan Microelectronics Group Co., Ltd products.

Trademarks

Shanghai Fudan Microelectronics Group Co., Ltd name and logo, the “复旦” logo are trademarks or registered trademarks of Shanghai Fudan Microelectronics Group Co., Ltd or its subsidiaries in China.

Shanghai Fudan Microelectronics Group Co., Ltd, Printed in the China, All Rights Reserved.



content

CONTENT	3
1. PRODUCT OVERVIEW	4
1.1. INTRODUCTION.....	4
1.2. FEATURES.....	4
1.3. FAMILY	4
1.4. BLOCK DIAGRAM.....	5
1.5. PACKAGING TYPE.....	6
1.5.1. 32- Pin SOP.....	6
1.5.2. 24- Pin SOP.....	7
1.5.3. 40-Pin QFN.....	7
1.6. PIN DESCRIPTION	8
1.6.1. 32- Pin SOP Pin Description	8
1.6.2. 24- Pin SOP Pin Description	9
1.6.3. 40- Pin QFN Pin Description.....	10
2. COMMAND SET	11
3. ELECTRICAL CHARACTERISTICS	12
3.1. ABSOLUTE MAXIMUM RATINGS.....	12
3.2. OPERATING CONDITION.....	12
3.3. CURRENT CONSUMPTION	12
4. TIMING FOR SPI INTERFACE	13
5. TYPICAL APPLICATION	14
6. ORDERING INFORMATION	15
7. PACKAGE DIMENSIONS	16
7.1. 32- PIN SOP PACKAGE DIMENSIONS	16
7.2. 24- PIN SOP PACKAGE DIMENSIONS	17
7.3. 40- PIN QFN PACKAGE DIMENSIONS	18
8. REVISION HISTORY	19
SALES AND SERVICE	20



1. Product Overview

1.1. Introduction

The FM17XX family is common serial reader ICs for contactless communications based on ISO14443. It takes 0.6 μ m CMOS EEPROM processing technology.

The FM17XX family supports all layers of ISO14443 typeA and ISO15693 on 13.56MHz. M1 and SH security arithmetic are both supported. The FM17XX family internal highly integrated analog circuitry for modulating/demodulating and thus they can work with the least peripheral circuitry. They support six types of μ -Processor interface. The digital part has two kinds of voltage operation modes: TTL and CMOS mode. The FM17XX family is compatible with RC500、RC530、RC531 and RC632 of Philips. The FM17XX serial reader ICs are optimized for use in public transport、variously charging payment card and comparable applications using contactless communication.

An outstanding feature of the FM17XXL chipset is the lowest operation voltage of all three supplies of theirs can up to 2.9V; this is lays over anything else of the kind.

1.2. Features

- Highly integrated analog circuitry for modulate/demodulate, only require the least peripheral circuitry
- Proximity operating distance (up to 100 mm, depend on the antenna)
- Supports ISO14443 typeA protocol
- Supports ISO15693 protocol
- 512 byte EEPROM
- Support M1and SH security arithmetic
- Support six types of μ -Processor interface
- 64 byte FIFO
- two voltage operation modes of digital module: TTL/CMOS
- Support Standby/Soft Power down mode
- Programmable timer
- Interrupt controller with smartly interrupt handing
- Unique serial number
- Serial input/output interface
- User programmable start-up configuration
- Bit- and byte-oriented framing
- Independent power supply pins for digital, analog and transmitter part
- All of the FM17XXL's three power supply can operate on low voltage, the lowest operation voltage can reach 2.9V

1.3. Family

TYPE	PROTOCOL SUPPORTED	INTERFACE	PACKAGE	COMPATIBLE READERS
FM1702	typeA	PARALLEL / SPI	SOP32	RC500、RC530
FM1702S	typeA	SPI	SOP24	RC500、RC530
FM1702Q	typeA	SPI	QFN40	RC500、RC530

Table 1-1 FM17XX Family

1.4. Block Diagram

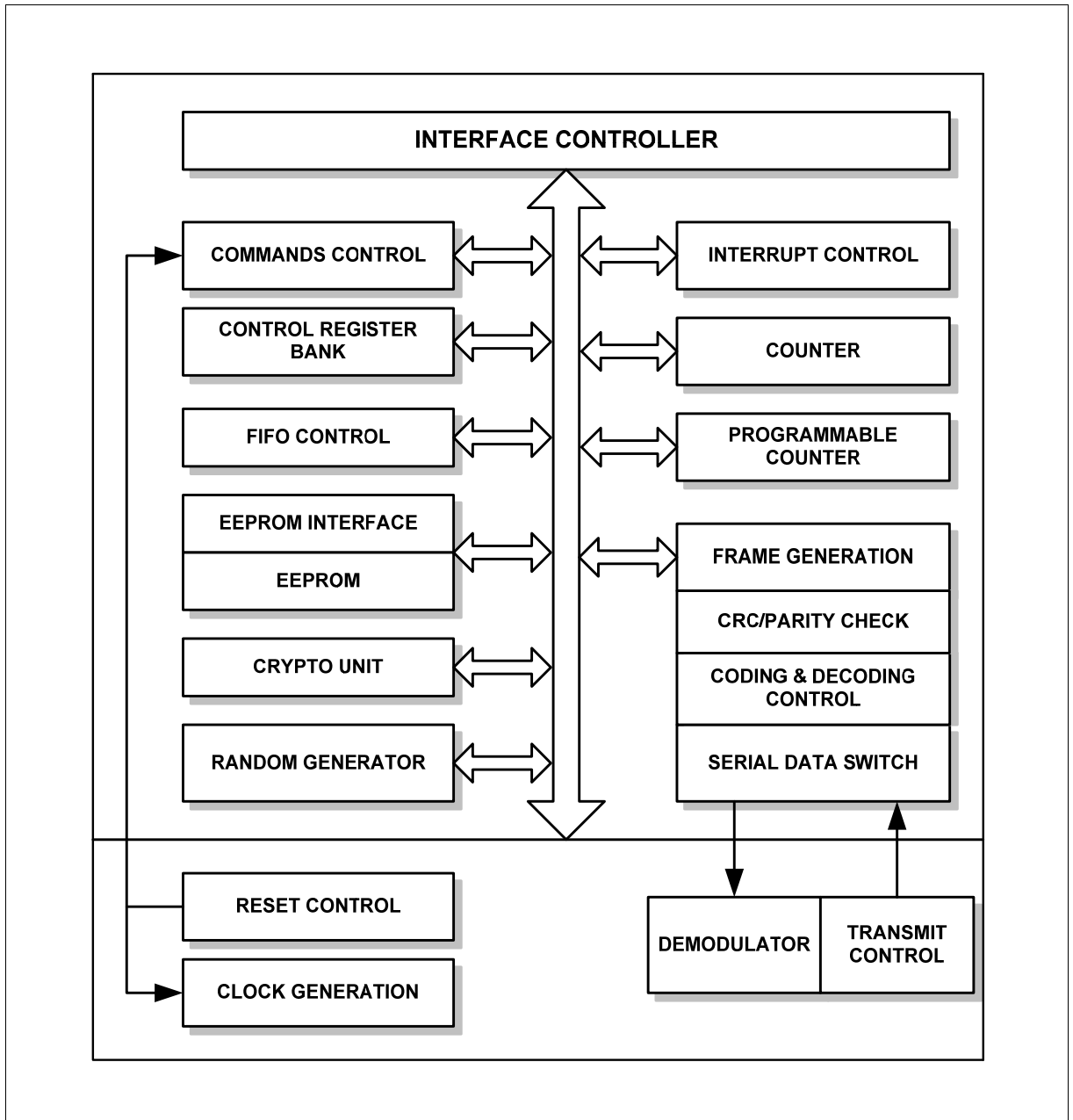


Figure 1-1 FM17XX Block Diagram

1.5. Packaging Type

1.5.1. 32- Pin SOP

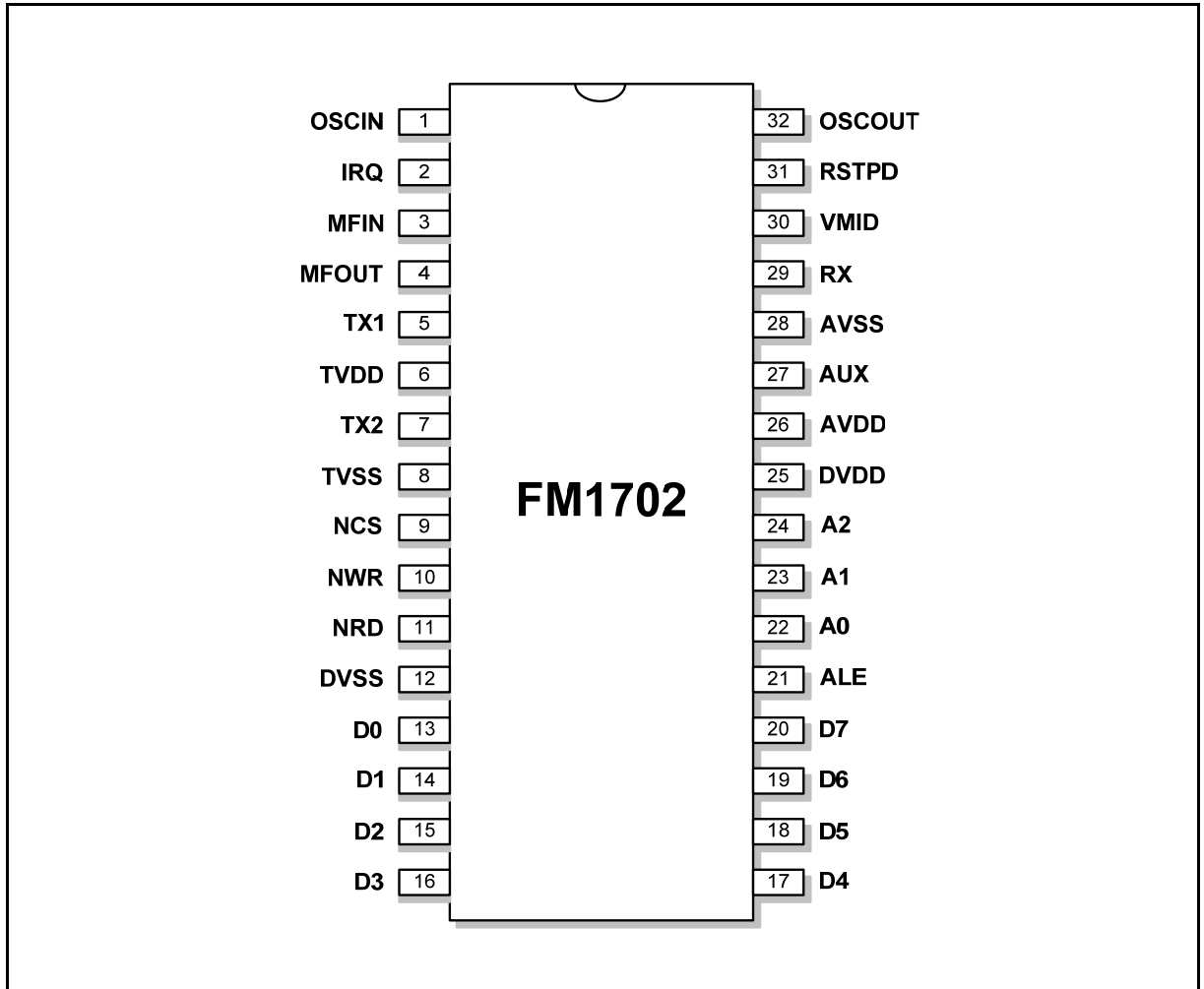


Figure 1-2 FM17XX 32-Pin SOP Pin Assignment

1.5.2. 24- Pin SOP

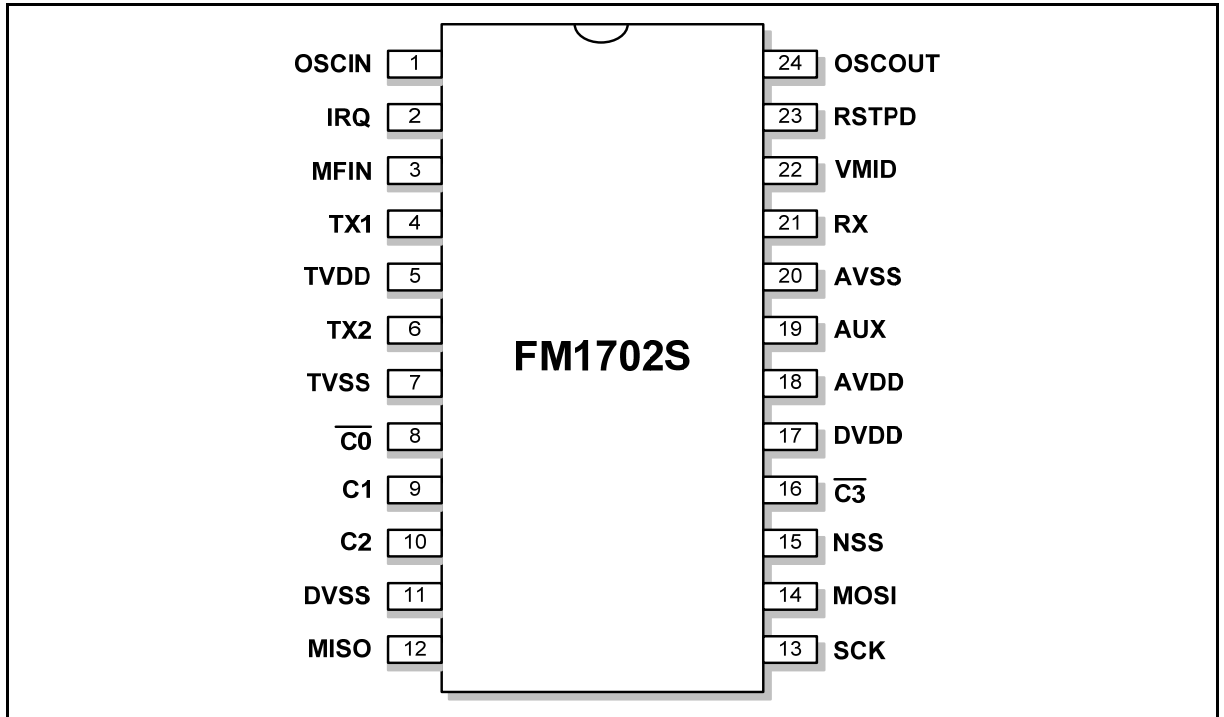


Figure 1-3 FM17XX 24-Pin SOP Pin Assignment

1.5.3. 40-Pin QFN

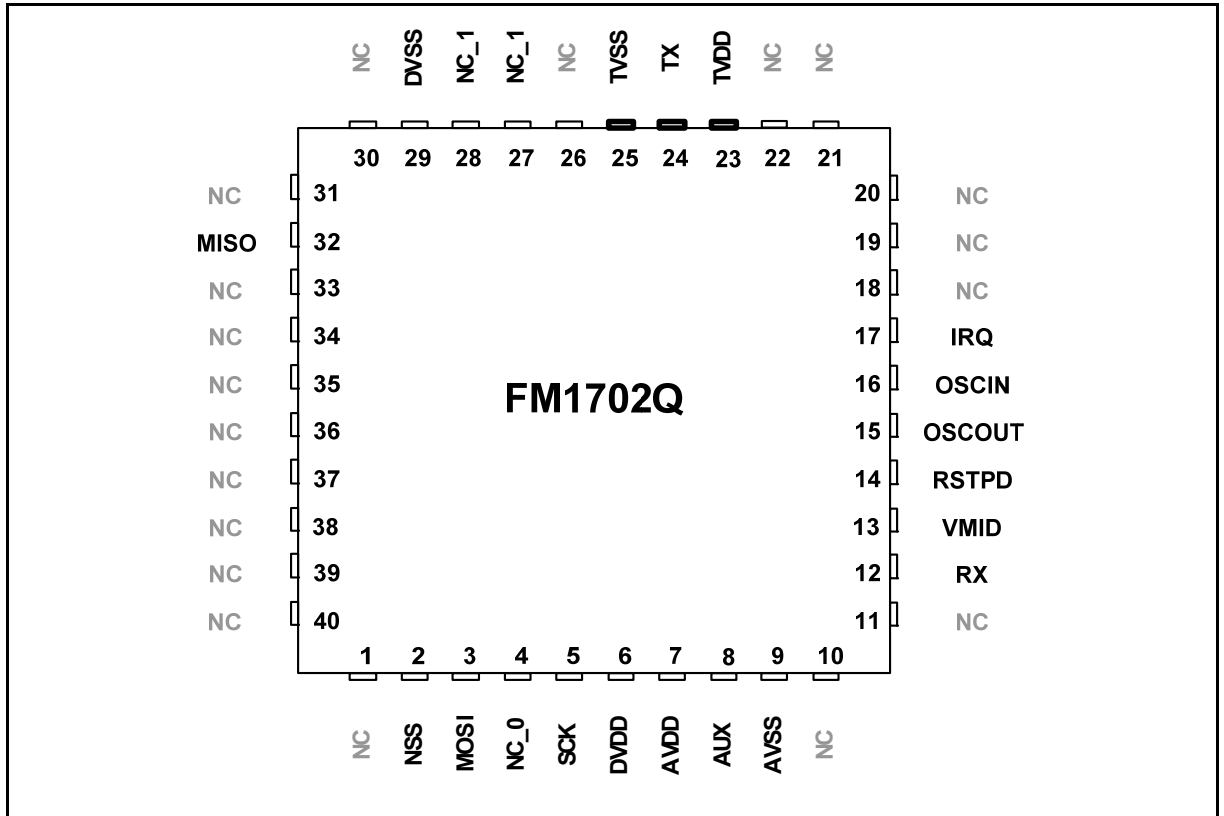


Figure 1-4 FM17XX 28-Pin QFN Pin Assignment



1.6. Pin Description

1.6.1. 32- Pin SOP Pin Description

PIN	SYMBOL	TYPE	DESCRIPTION
1	OSCIN	I	Crystal Oscillator Input: fosc = 13.56MHz
2	IRQ	O	Interrupt Request: send a signal for interrupt event
3	MFIN	I	Serial Input: accepts a digital, serial data stream according to ISO14443A
4	MFOUT	O	Serial Output: delivers a serial data stream according to ISO14443A
5	TX1	O	Transmitter 1: delivers the modulated 13.56 MHz energy carrier
6	TVDD	PWR	Transmitter Power Supply: supplies the output energy for TX1 and TX2
7	TX2	O	Transmitter 2: delivers the modulated 13.56 MHz energy carrier
8	TVSS	PWR	Transmitter Ground
9	NCS	I	Not Chip Select: selects and activates the μ -Processor interface of the FM17XX
10	NWR	I	Not Write: strobe to write data into the FM17XX register
	R/NW	I	Read Not Write: selects if a read or write cycle shall be performed.
	nWrite	I	Not Write: selects if a read or write cycle shall be performed(EPP interface)
11	NRD	I	Not Read: strobe to read data from the FM17XX register
	NDS	I	Not Data Strobe: strobe for the read and the write cycle
	nDstrb	I	Not Data Strobe: strobe for the read and the write cycle
12	DVSS	PWR	Digital Ground
13	D0	O	Master In Slave Out (MISO) (SPI interface)
13	D0—D7	I/O	8 Bit Bi-directional Data Bus
... 20	AD0—AD7	I/O	8 Bit Bi-directional Address and Data Bus
21	ALE	I	Address Latch Enable: signal to latch AD0 to AD5 into the internal address latch when high
	AS	I	Address Strobe: strobe signal to latch AD0 to AD5 into the internal address latch when high
	nAStrb	I	Not Address Strobe: strobe signal to latch AD0 to AD5 into the internal address latch when LOW
	NSS	I	Not Slave Select: strobe for the SPI communication
22	A0	I	Address Line 0: Bit 0 of register address
	nWait	O	Not Wait: signals with LOW that an access-cycle may started and with HIGH that it may be finished (EPP interface)
	MOSI	I	Master Out Slave In (SPI interface)
23	A1	I	Address Line 1: Bit 1 of register address
24	A2	I	Address Line 2: Bit 2 of register address
	SCK	I	Serial Clock: Clock for the SPI interface
25	DVDD	PWR	Digital Power Supply

Table 1-2 FM17XX 32-Pin SOP Pin Description



PIN	SYMBOL	TYPE	DESCRIPTION
26	AVDD	PWR	Analog Power Supply
27	AUX	O	Auxiliary Output: This pin delivers analog test signals
28	AVSS	PWR	Analog Ground
29	RX	I	Receiver Input: Input pin for the cards response
30	VMID	PWR	Internal Reference Voltage: This pin delivers the internal reference voltage
31	RSTPD	I	Reset and Power Down
32	OSCOUT	O	Crystal Oscillator Output: Output of the inverting amplifier of the oscillator

Table 1-3 FM17XX 32-Pin SOP Pin Description (continued)

1.6.2. 24- Pin SOP Pin Description

PIN	SYMBOL	TYPE	DESCRIPTION
1	OSCIN	I	Crystal Oscillator Input: fosc = 13.56MHz
2	IRQ	O	Interrupt Request: output to signal an interrupt event
3	MFIN	I	Serial Input: accepts a digital, serial data stream according to ISO14443A
4	TX1	O	Transmitter 1: delivers the modulated 13.56 MHz energy carrier
5	TVDD	PWR	Transmitter Power Supply: supplies the output stage of TX1 and TX2
6	TX2	O	Transmitter 2: delivers the modulated 13.56 MHz energy carrier
7	TVSS	PWR	Transmitter Ground
8	CO	I	LOW
9	C1	I	HIGH
10	C2	I	HIGH
11	DVSS	PWR	Digital Ground
12	MISO	O	Master In Slave Out (MISO) (SPI interface)
13	SCK	I	Serial Clock: Clock for the SPI interface
14	MOSI	I	Master Out Slave In (SPI interface)
15	NSS	I	Not Slave Select: strobe for the SPI communication
16	C3	I	LOW
17	DVDD	PWR	Digital Power Supply
18	AVDD	PWR	Analog Power Supply
19	AUX	O	Auxiliary Output: This pin delivers analog test signals
20	AVSS	PWR	Analog Ground
21	RX	I	Receiver Input: Input pin for the cards response
22	VMID	PWR	Internal Reference Voltage: This pin delivers the internal reference voltage
23	RSTPD	I	Reset and Power Down
24	OSCOUT	O	Crystal Oscillator Output: Output of the inverting amplifier of the oscillator

Table 1-4 FM17XX 24-Pin SOP Pin Description



1.6.3. 40- Pin QFN Pin Description

PIN	SYMBOL	TYPE	DESCRIPTION
1	NC	-	-
2	NSS	I	Not Slave Select: strobe for the SPI communication
3	MOSI	I	Master Out Slave In (SPI interface)
4	NC_0	I	LOW
5	SCK	I	Serial Clock: Clock for the SPI interface
6	DVDD	PWR	Digital Power Supply
7	AVDD	PWR	Analog Power Supply
8	AUX	O	Auxiliary Output: This pin delivers analog test signals
9	AVSS	PWR	Analog Ground
10-11	NC	-	-
12	RX	I	Receiver Input: Input pin for the cards response
13	VMID	PWR	Internal Reference Voltage: This pin delivers the internal reference voltage
14	RSTPD	I	Reset and Power Down
15	OSCOU	O	Crystal Oscillator Output: Output of the inverting amplifier of the oscillator
16	OSCI	I	Crystal Oscillator Input: fosc = 13.56MHz
17	IRQ	O	Interrupt Request: output to signal an interrupt event
18-22	NC	-	-
23	TVDD	PWR	Transmitter Power Supply: supplies the output stage of TX1 and TX2
24	TX	O	Transmitter: delivers the modulated 13.56 MHz energy carrier
25	TVSS	PWR	Transmitter Ground
26	NC	-	-
27	NC_1	I	HIGH
28	NC_1	I	HIGH
29	DVSS	PWR	Digital Ground
30-31	NC	-	-
32	MISO	O	Master In Slave Out (MISO) (SPI interface)
33-40	NC	-	-

Table 1-5 FM17XX 40-Pin QFN Pin Description

2. Command Set

COMMAND	CODE(HEX)	ACTION
StartUp	3F	Runs the Reset and Initialization Phase
Idle	00	No action; cancels current command execution
Transmit	1A	Transmits data from the FIFO
Receive	16	Activates receiver circuitry
Transceive	1E	Transmits data from FIFO buffer to the card
WriteE2	01	Write FIFO data to EEPROM
ReadE2	03	Read data from EEPROM, and puts it into FIFO
LoadKeyE2	0B	Copies a key from the EEPROM into the key buffer
LoadKey	19	Copies a key from the FIFO into the key buffer
Authent1	0C	Performs the first part of the authentication
Authent2	14	Performs the second part of the authentication
LoadConfig	07	Reads data from EEPROM and initializes the registers
CalcCRC	12	Activates the CRC-Coprocessor

Table 2-1 FM17XX Command Set

3. Electrical Characteristics

3.1. Absolute Maximum Ratings

SYMBOL	PARAMETERS	MIN	MAX	UNIT
$T_{amb.abs}$	Ambient or Storage Temperature Range	-40	+150	°C
DVDD AVDD TVDD	DC Supply Voltages	-0.5	6	V
$V_{in.abs}$	Absolute voltage on any digital pin to DVSS	-0.5	DVDD + 0.5	V
$V_{RX.abs}$	Absolute voltage on RX pin to AVSS	-0.5	AVDD + 0.5	V

Table 3-1 FM17XX Absolute Maximum Ratings

3.2. Operating Condition

SYMBOL	PARAMETERS	CONDITION	MIN	TYP	MAX	UNIT
T_{amb}	Ambient Temperature	--	-25	+25	+85	°C
DVDD	Digital Supply Voltage	DVSS = AVSS = TVSS = 0V	2.9	5.0	5.5	V
AVDD	Analog Supply Voltage	DVSS = AVSS = TVSS = 0V	2.9	5.0	5.5	V
TVDD	Transmitter Supply Voltage	DVSS = AVSS = TVSS = 0V	2.9	5.0	5.5	V

Table 3-2 FM17XX Operating Condition

3.3. Current Consumption

SYMBOL	PARAMETERS	CONDITION	MIN	TYP	MAX	UNIT
I_{DVDD}	Digital Supply Current	Idle Command		6	9	mA
		Stand By Command		3	5	mA
		Soft Power Down mode		800	1000	μA
		Hard Power Down mode		1	10	μA
I_{AVDD}	Analog Supply Current	Idle Command, Receiver On		25	40	mA
		Idle Command, Receiver Off		8	12	mA
		Stand By mode		6.5	9	mA
		Soft Power Down mode		1	10	μA
		Hard Power Down mode		1	10	μA
I_{TVDD}	Transmitter Supply Current	Continuous Wave			150	mA
		TX1、TX2 unconnected $TX1RFEn, TX2RFEn = 1$		4.5	6	mA
		TX1、TX2 unconnected $TX1RFEn, TX2RFEn = 0$		65	130	μA

Table 3-3 FM17XX Current Consumption

4. Timing for SPI Interface

SYMBOL	PARAMETERS	MIN	MAX	UNIT
t_{SCKL}	SCK low pulse width	100		ns
t_{SCKH}	SCK high pulse width	100		ns
t_{SHDX}	SCK high to data changes	20		ns
t_{DXSH}	data changes to SCK high	20		ns
t_{SLDX}	SCK low to data changes		15	ns
t_{SLNH}	SCK low to NSS high	20		ns

Table 4-1 FM17XX SPI Timing Specification

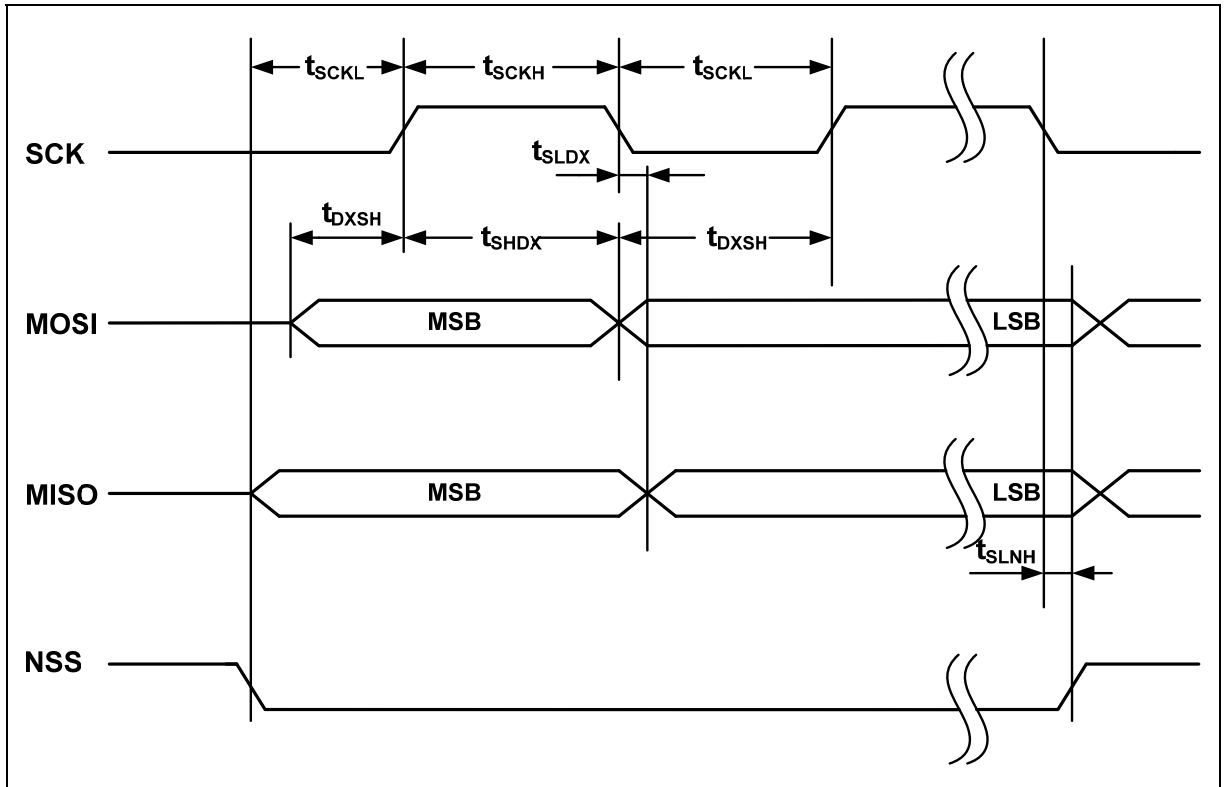


Figure 4-1 FM17XX Timing for SPI Interface

5. Typical Application

Typical application diagram is shown below:

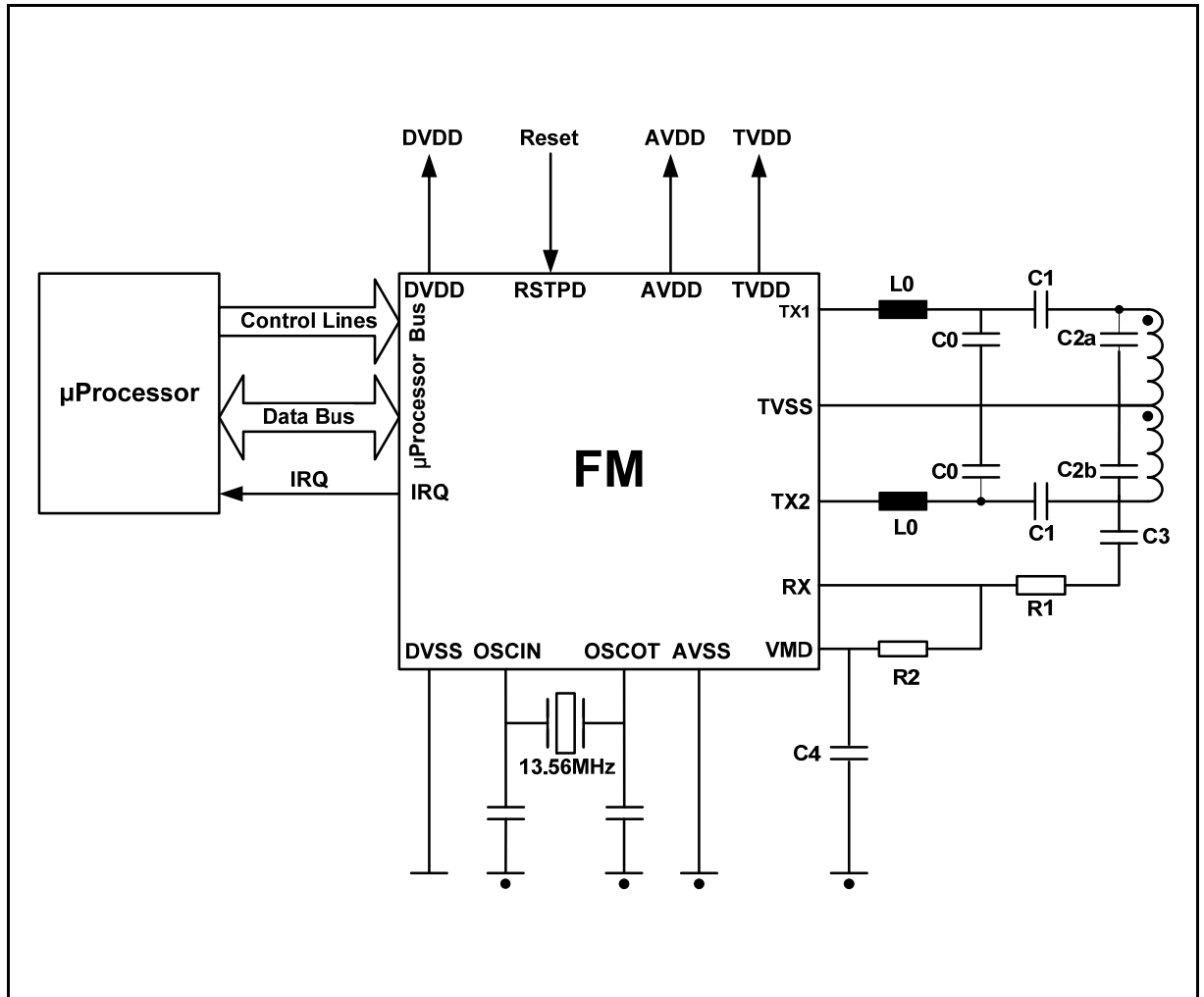


Figure 5-1 FM17XX Typical Application



6. Ordering Information

Ordering Code	HOST interface	Card interface	Encrypt Arithmetic	Package	Operation Temp.
FM1702	Parallel SPI	ISO 14443A	M1	SOP32	(-25°C ~ 85°C)
FM1702S	SPI	ISO 14443A	M1	SOP24	
FM1702Q	SPI	ISO 14443A	M1	QFN40	
FM1702N	Parallel SPI	ISO 14443A	M1	SOP32(N)	
FM1702NL	Parallel SPI	ISO 14443A	M1	SOP32(N)	
FM1702SL	SPI	ISO 14443A	M1	SOP24	
FM1702SL/M	RS232	ISO 14443A	M1	SYS ⁽¹⁾	

Table 6-1 FM17XX Ordering Information

Note:

1. "SYS" denotes system products.

7. Package Dimensions

7.1. 32- Pin SOP Package Dimensions

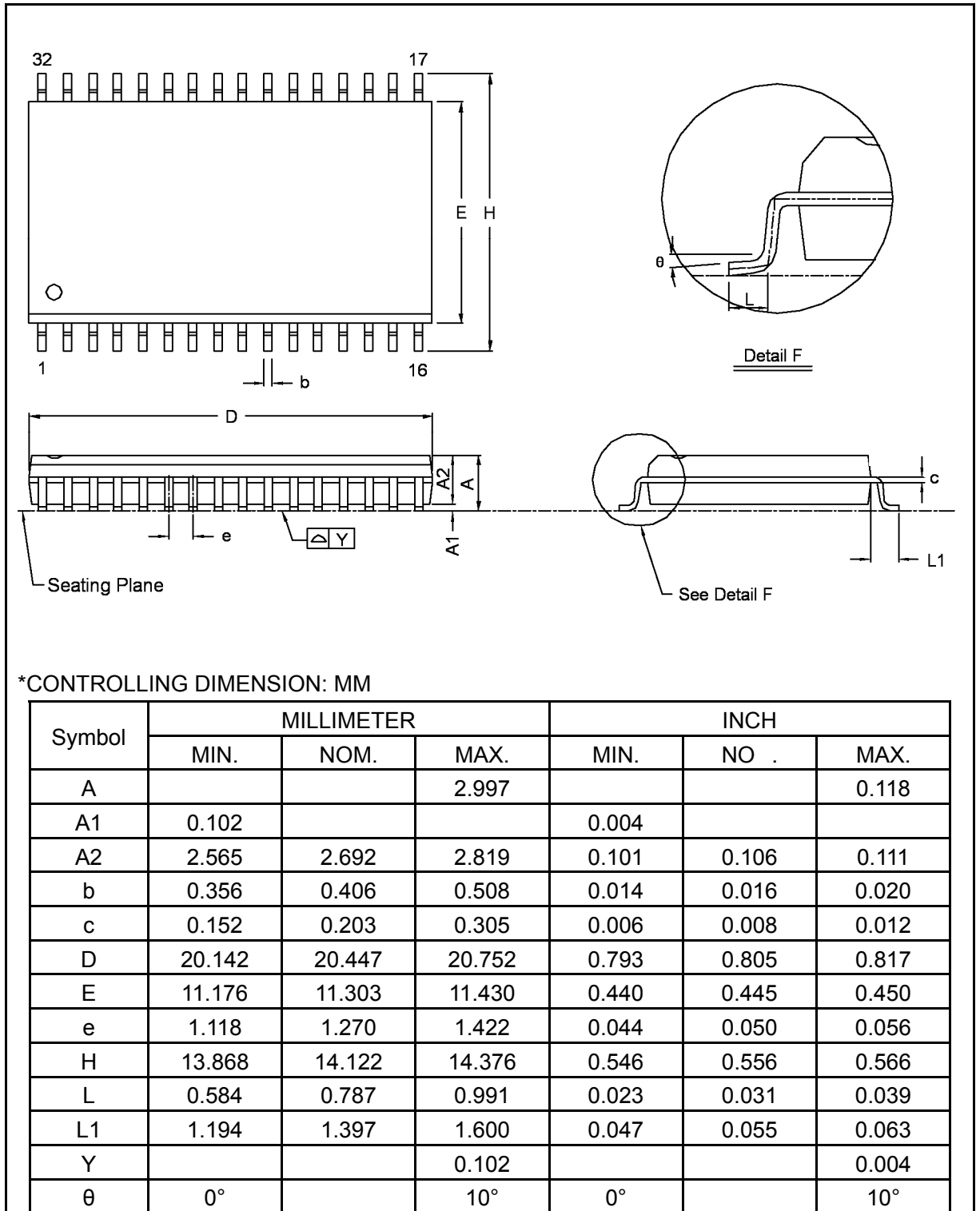


Figure 7-1 FM17XX 32-Pin SOP Package Dimensions

7.2. 24-Pin SOP Package Dimensions

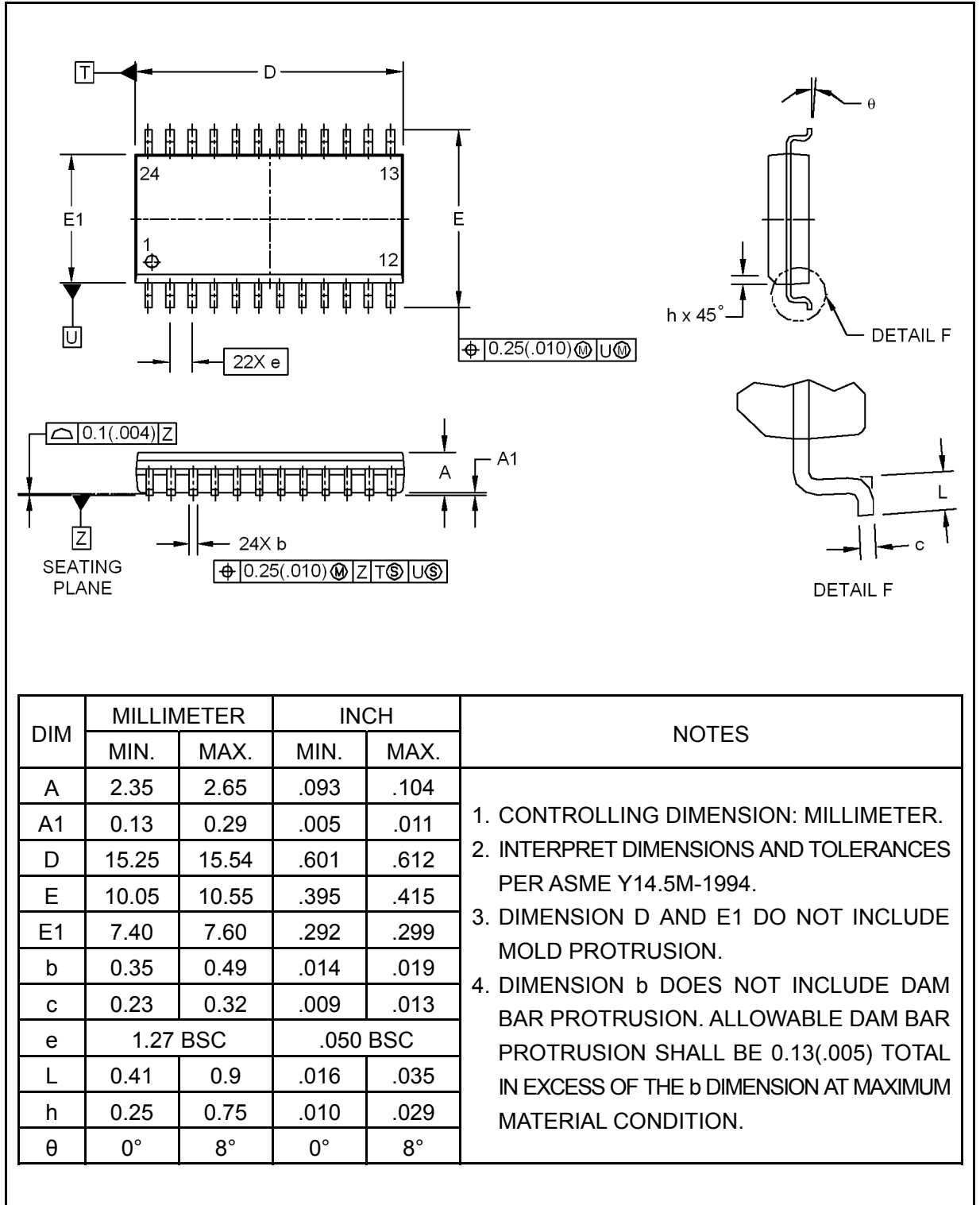


Figure 7-2 FM17XX 24-Pin SOP Package Dimensions

7.3. 40- Pin QFN Package Dimensions

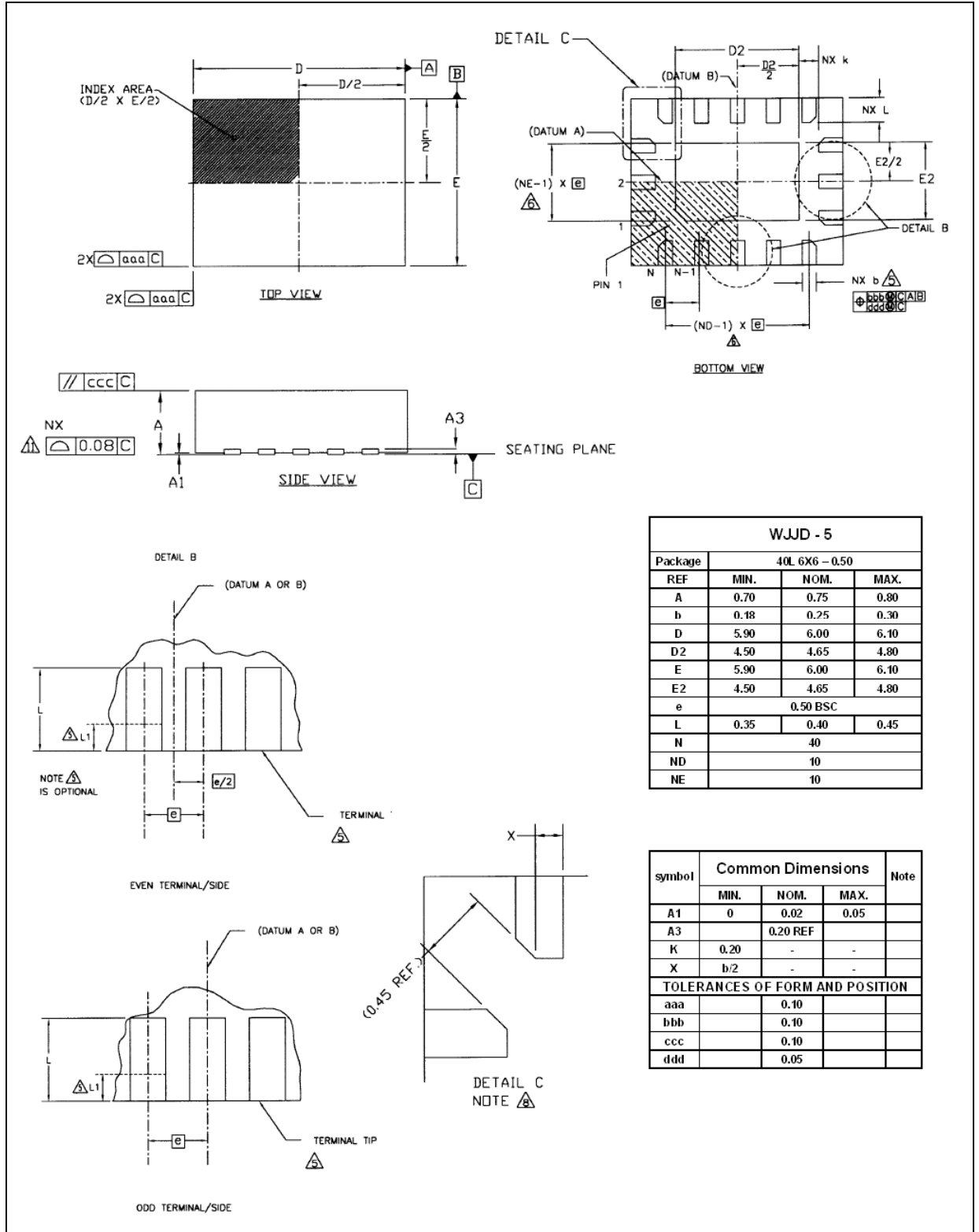


Figure 7-3 FM17XX 40-Pin QFN Package Dimensions



8. Revision History

Version	Publication date	Pages	Paragraph or Illustration	Revise Description
0.1	Mar. 2007	20		Initial Release.
0.2	Oct. 2007	20		Updated Format.
0.3	May. 2008	20	Sales and service	Updated the address of HK office.
1.0	May. 2011	20	Sales and service	1. Updated the address of Beijing office. 2. The company changed its name to Shanghai Fudan Microelectronics Group Co., Ltd.
1.1	May.2012	20		1. Update QFN40 package information



Sales and Service

Shanghai Fudan Microelectronics Group Co., Ltd.

Address: Bldg No. 4, 127 Guotai Rd,
Shanghai City China.

Postcode: 200433

Tel: (86-021) 6565 5050

Fax: (86-021) 6565 9115

Shanghai Fudan Microelectronics (HK) Co., Ltd.

Address: Unit 506, 5/F., East Ocean Centre, 98 Granville
Road, Tsimshatsui East, Kowloon, Hong Kong

Tel: (852) 2116 3288 2116 3338

Fax: (852) 2116 0882

Beijing Office

Address: Room 423, Bldg B, Gehua Building,
1 QingLong Hutong, Dongzhimen Alley north Street,
Dongcheng District, Beijing City, China.

Postcode: 100007

Tel: (86-10) 8418 6608 8418 7486

Fax: (86-10) 8418 6211

Shenzhen Office

Address: Room.1301, Century Bldg, Shengtingyuan Hotel,
Huaqiang Rd (North),
Shenzhen City, China.

Postcode: 518028

Tel: (86-0755) 8335 3211 8335 6511

Fax: (86-0755) 8335 9011

Web Site: <http://www.fmsh.com/>